

➤ PU series Two-Position Two-way Solenoid valve

PU

Compact and good appearance, small dimension
It can work at low pressure
Coil made from thermosetting plastic encapsulating



Ordering Code

PU	225S	-	10	A	-	AC220V
Pu series	Specification		Connection port	Installing form		Standard voltage
	220 Brass two-position,two-way valve		06 1/8"	A standard		DC12V
	225 Brass two-position,two-way valve		08 1/4"	F flange form		DC24V
	225S Stainless steel two-positon,two-way valve		10 3/8"			AC24V
			15 1/2"			AC36V
			20 3/4"			AC110V
			25 1"			AC220V
			35 1 1/4"			AC380V
			40 1 1/2"			
			50 2"			

Parameters

Model	Media	Working type	Pattern	Orifice (mm)	Cv Value	Connection ports	Medium viscosity	Working pressure	Max. pressure	Rated voltage	Power	Working temp
PU225-10A	Air Water Oil	Direct Action / Pilot Type	Normally close	13	4.5	3/8"	< 50CST	0.5 ~10bar	12bar	DC12-24V AC24V-380V ±10%	DC22W AC27VA	-5 ~ 80°C
PU225-15A				13	4.5	1/2"						
PU225-20A				25	12	3/4"						
PU225-25A				25	12	1"						
PU225-35A				38	22	1 1/4"						
PU225-40A				38	30	1 1/2"						
PU225-50A	50	48	2"									

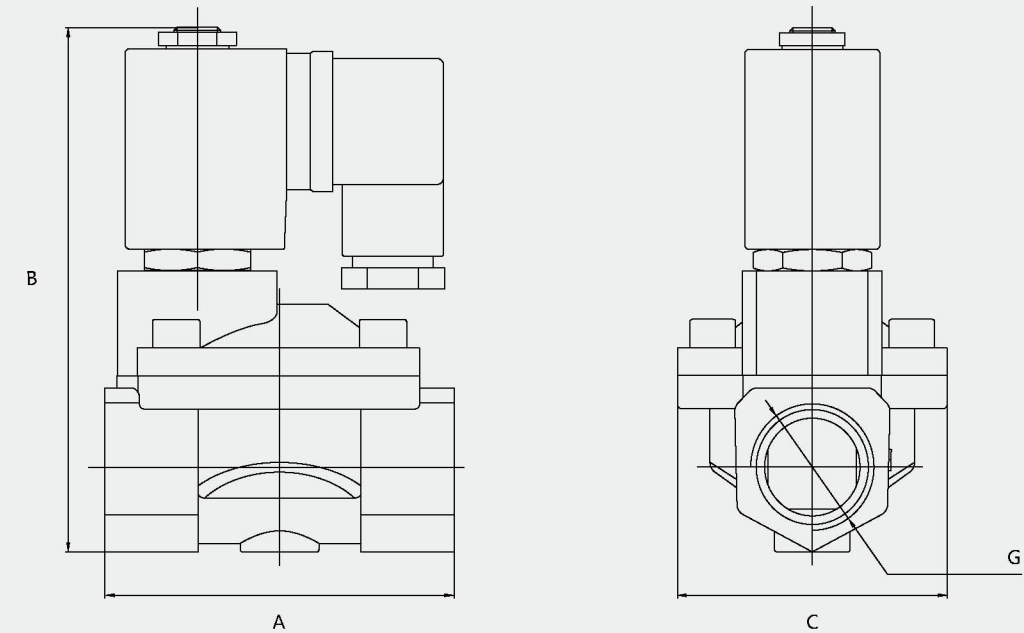
Overall Dimension

Speciality

- Compact and good appearance, small dimension
- Direct acting, diaphragm structure, it can work at low pressure
- Coil made from thermosetting plastic encapsulating, the protection class IP65,the temperature class can reach H Class.



Overall Dimension



Model	A	B	C	G
PU225-10A	66.5	106.5	48.0	G3/8"
PU225-15A	66.5	106.5	48.0	G1/2"
PU225-20A	96.0	126.0	70.0	G3/4"
PU225-25A	96.0	126.0	70.0	G1"
PU225-35A	131.0	145.5	96.0	G1 1/4"
PU225-40A	131.0	145.5	96.0	G1 1/2"
PU225-50A	160	160.0	112.0	G2"