

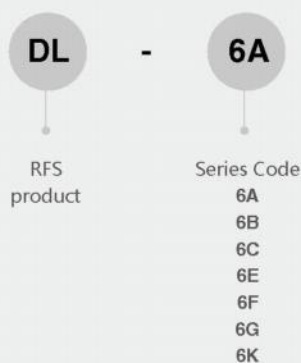
➤ DL Series Steam Valve

DL

- Installed on the Ironing equipments independent
- Fully made of heat resistant H class material
- Steam flow rate can be adjustable, Easy to operate
- Electrical parts good water-proof
- Insert pipe, Female-male thread, Adjustable and angle adjustable type for choose



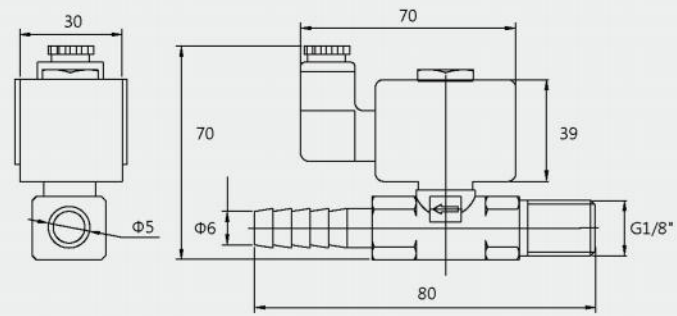
Ordering Code



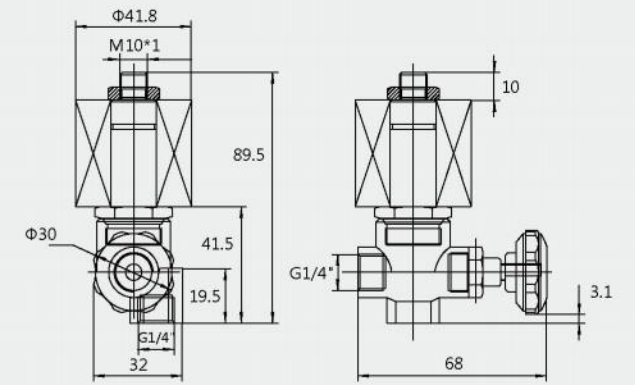
Parameters

| Model | DL-6A | DL-6B | DL-6C | DL-6E | DL-6F | DL-6G | DL-6K |
|---------------------|----------------------------|------------|----------|--------------|----------|--------------|--------------|
| Media | Water / Steam / Clean Air | | | | | | |
| Working type | 2/2 Direct action | | | | | | |
| Pattern | Normally close | | | | | | |
| Orifice | 2.5mm | 2.5mm | 2.7mm | 2.5mm | 2.5mm | 2.5mm | 2.5mm |
| Connection ports | Φ6 Insert pipe, Male G1/8" | Male G1/4" | G1/4" | G1/4" | G1/4" | G1/4" | G1/4" |
| Working pressure | 0~0.8MPa | 0~0.8MPa | 0~0.8MPa | 0~2.5MPa | 0~2.5MPa | 0~1.0MPa | 0~0.8MPa |
| Max. pressure | 1.6MPa | 1.6MPa | 2.5MPa | 3MPa | 3MPa | 3MPa | 2.5MPa |
| Working temp. | 0.1°C ~180°C | | | | | | |
| Rated voltage | DC/AC24~240V ±10% | | | | | | |
| Power | DC12W/AC15VA | | | DC20W/AC28VA | | DC16W/AC19VA | DC12W/AC15VA |
| Protection class | IP65 | | | | | | |
| Insulation class | H class | | | | | | |
| Valve body material | Brass | | | | | | |
| Seal material | PTFE/FKM | | | | | | |

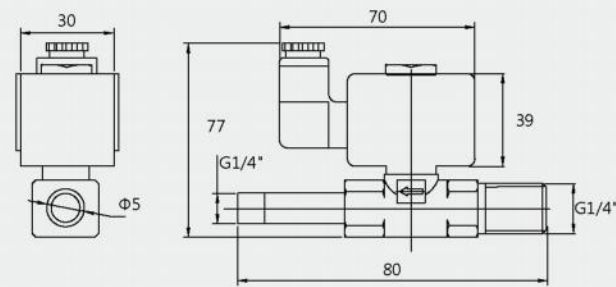
DL-6A



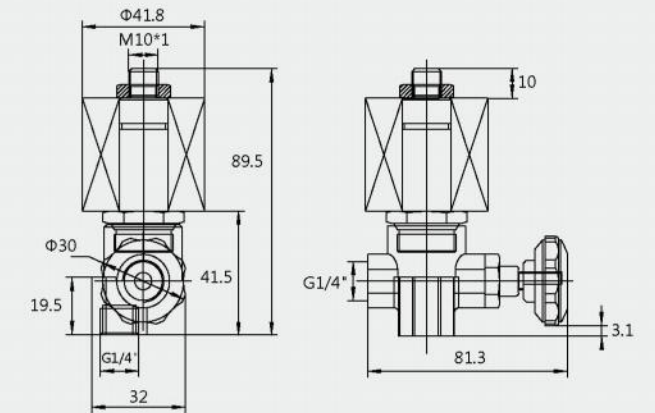
DL-6E



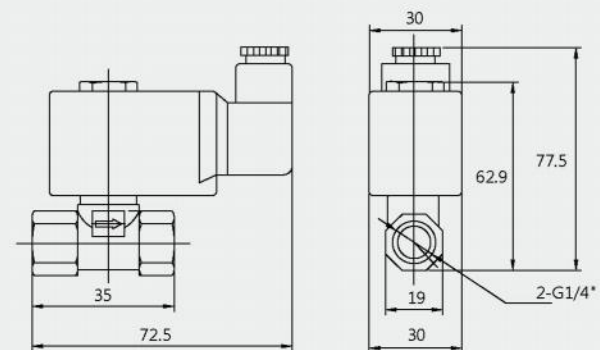
DL-6B



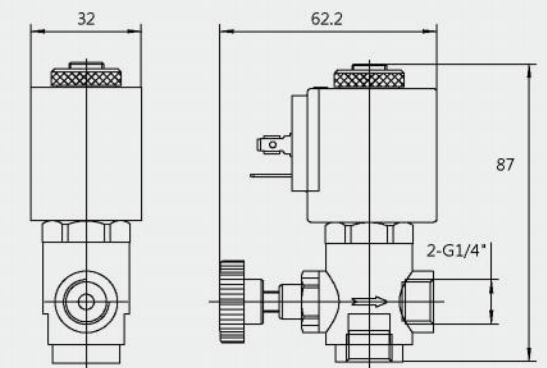
DL-6F



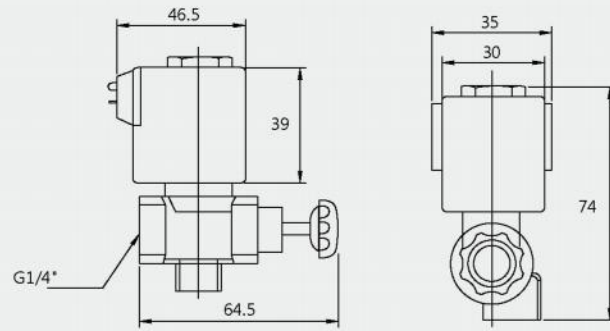
DL-6C



DL-6G



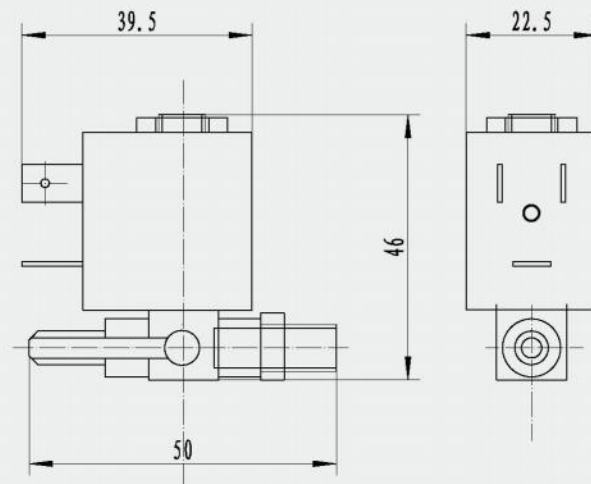
DL-6K



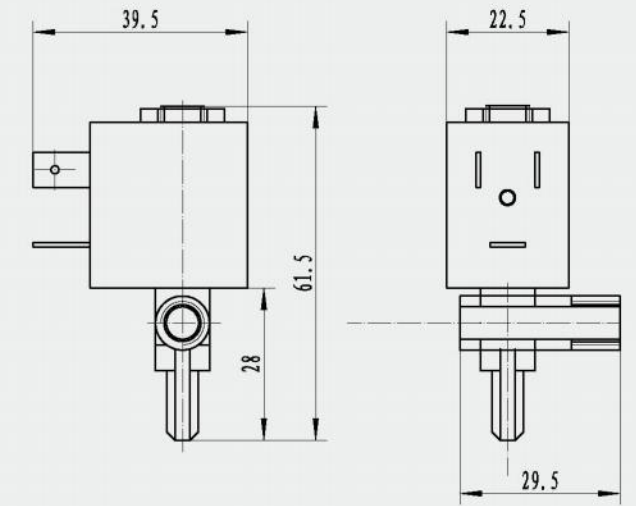
Parameters

| Model | DL-3T | DL-3Q | DL-6P | DL-6I | DL-6D | DL-6N |
|------------------|---------------------------|-------------|------------|------------|---------|---------|
| Media | Water / Steam / Clean Air | | | | | |
| Working type | 2/2 Direct action | | | | | |
| Pattern | Normally close | | | | | |
| Orifice | 2.7mm | 2.7mm | 1.8mm | 1.8mm | 2mm | 3mm |
| Working pressure | 0.2-4.5 BAR | 0.2-3.5 BAR | 0.2-10 BAR | 0.2-10 BAR | 0-8 BAR | 0-8 BAR |
| Voltage | 220V AC | | | | | |
| Connector Port | G1/8" | | | | | G1/4" |

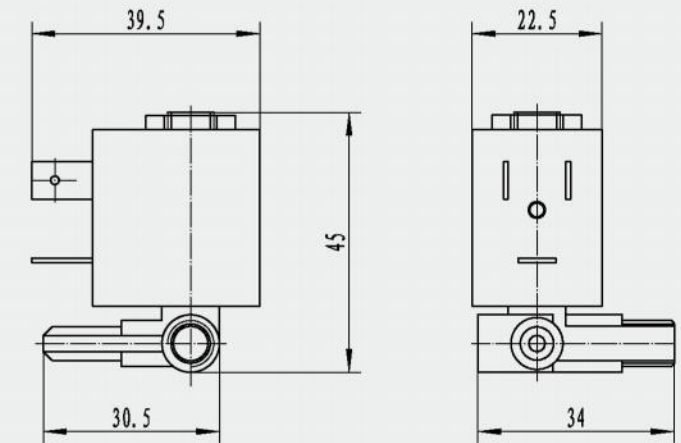
DL-3T



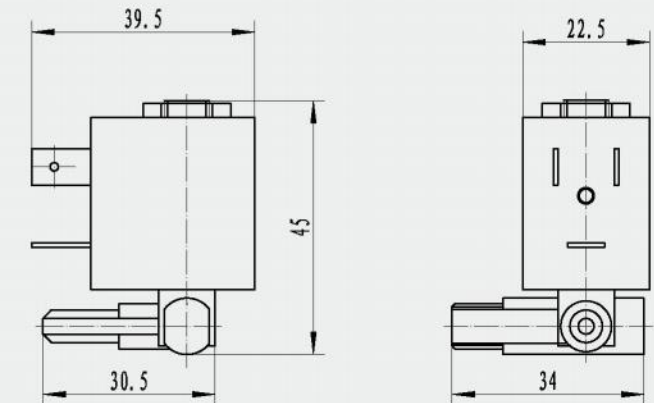
DL-3Q



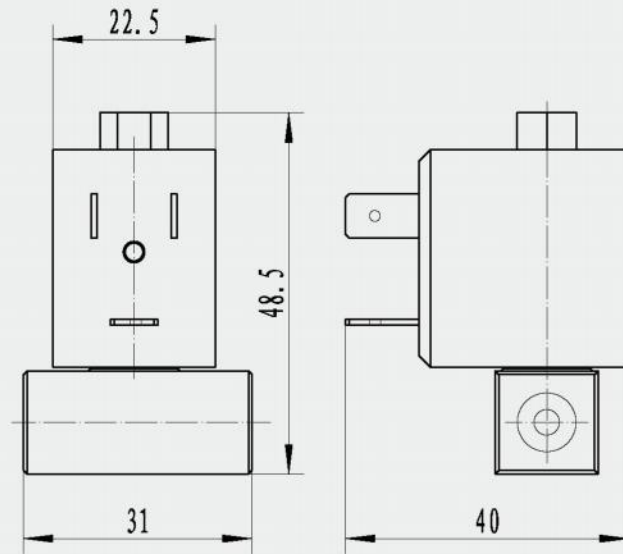
DL-6P



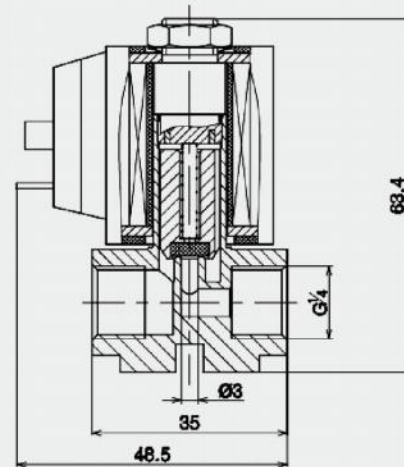
DL-6I



DL-6D



DL-6N



➤ 0121 Steam Valve

- International advanced technology
- Compact, easy to install
- For steam pipe

Parameters

| | |
|---------------------|----------------|
| Medium | Steam |
| Pattern | Normally close |
| Orifice | 4.5mm |
| Connection ports | G1/2" |
| Working pressure | 0~0.6MPa |
| Max. pressure | 2.5MPa |
| Working temp. | -20~180°C |
| Rated voltage | AC220V ±10% |
| Power | 32VA |
| Protection class | IP65 |
| Insulation class | H class |
| Valve body material | Brass |
| Seal material | VITON |

Overall Dimension

