

## SB116 Series Two-Position Two-way Solenoid valve

# SB116

No-water hammer impact ,low noise, stable working, large flow, long service life.



### Ordering Code

<b>SB116</b>	-	<b>2A</b>		<b>10</b>		<b>08</b>	-	<b>AC110V</b>	-	
Item No.		Code Form		Orifice		Connection port		Standard voltage		K:Normally Open Blank:Normally Closed
		2A Zero pressure		08 8mm		08 1/4"		DC12V		
		2B Differential pressure		10 10mm		10 3/8"		DC24V		
		4 High temperature		13 13mm		15 1/2"		AC24V		
		5 High Pressure		14 14mm		20 3/4"		AC36V		
		2AS Zero pressure Stainless Steel		20 20mm		25 1"		AC110V		
		2BS Low pressure Stainless Steel		25 25mm		35 1 1/4"		AC220V		
				40 40mm		40 1 1/2"		AC380V		
				50 50mm		50 2"				

### SB116-2A

#### Specification

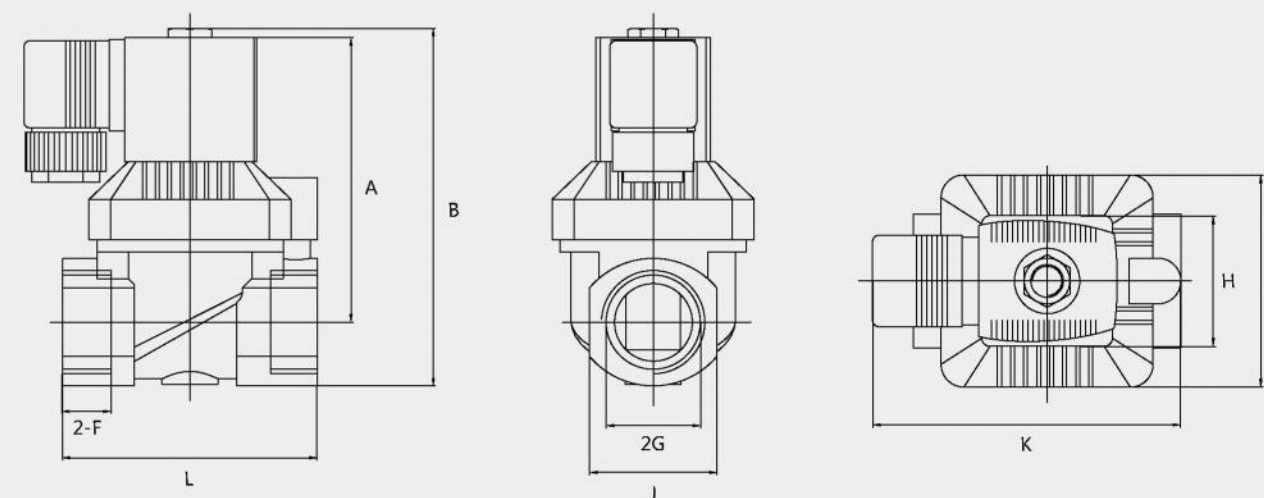
Model	Orifice	Connection ports	Working pressure	Ambient Temp.	Medium Temp.	Kv value (m3/h)	Power consumption		Response Frequency	Voltage
							AC(VA)	DC(W)		
SB116-2A1008	10mm	G1/4	0~1.0MPa	-10~+55°C	-10~+90°C	1.4	20	13	≥ 1Hz	DC12V DC24V AC24V AC36V AC110V AC220V AC380V ±10%
SB116-2A1010	10mm	G3/8				1.4	20	13	≥ 1Hz	
SB116-2A1015	10mm	G1/2				1.4	20	13	≥ 1Hz	
SB116-2A1415	14mm	G1/2				2.52	20	13	≥ 0.5Hz	
SB116-2A1420	14mm	G3/4				2.52	20	13	≥ 0.5Hz	
SB116-2A2020	20mm	G3/4				5.0	20	13	≥ 0.5Hz	
SB116-2A2025	20mm	G1				5.0	20	13	≥ 0.5Hz	

### Speciality

- Working at Zero Pressure and used below 90°C
- It can be used in gas,water,oil,weak acid& Alkali.
- Low noise, No-water hammer impact ,low noise, stable working, large flow, long service life.
- Change to Ex-proof & suitable armature, it can used as Ex-proof valve. The coil made from thermosetting plastic encapsulating, the protection class IP65.Plug confirms with ISO standard.



### Overall Dimension



Model	G	C	F	L	J	A	B	H	K
SB116-2A1008	G1/4"	38	13	50	26	71	85	36	76
SB116-2A1010	G3/8"	38	13	50	26	71	85	36	76
SB116-2A1015	G1/2"	38	13	50	26	71	85	36	76
SB116-2A1415	G1/2"	44	14	66	26	77	91	36	76
SB116-2A1420	G3/4"	44	16	60	31	80	96	36	76
SB116-2A2020	G3/4"	65	20	83	41	111	131	36	88
SB116-2A2025	G1"	65	20	83	41	111	131	36	88

# SB116-2B

## Specification

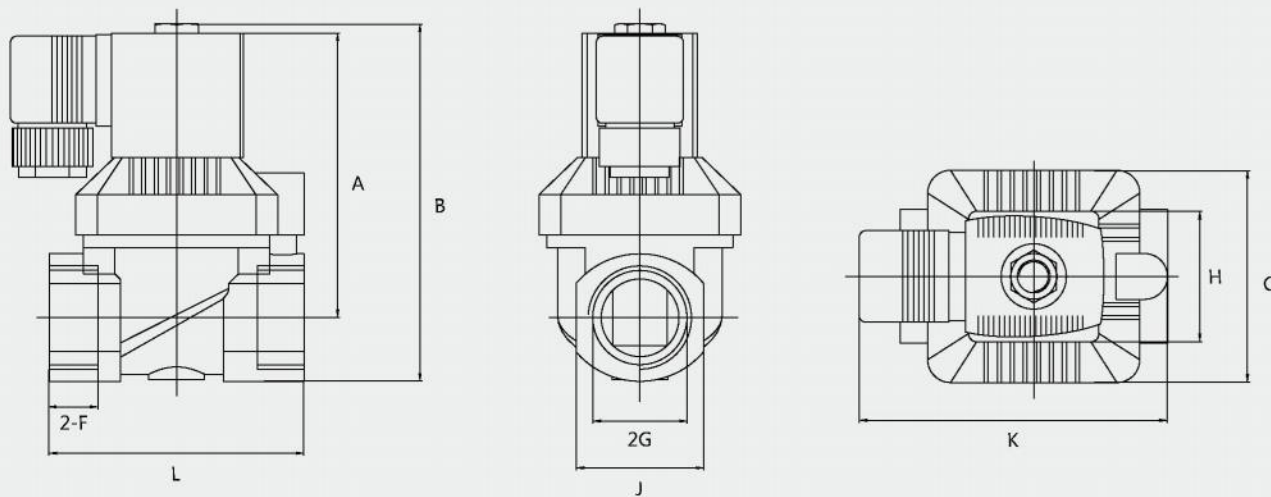
Model	Orifice	Connection ports	Working pressure	Ambient Temp.	Medium Temp.	Kv value (m3/h)	Power consumption		Response Frequency	Voltage
							AC(VA)	DC(W)		
SB116-2B1008	10mm	G1/4	0.02 ~1.0MPa	-10~+55°C	-10~+90°C	1.4	20	13	≥ 1Hz	DC12V DC24V AC24V AC36V AC110V AC220V AC380V  ±10%
SB116-2B1010	10mm	G3/8				1.4	20	13	≥ 1Hz	
SB116-2B1015	10mm	G1/2				1.4	20	13	≥ 1Hz	
SB116-2B1415	14mm	G1/2				2.52	20	13	≥ 0.5Hz	
SB116-2B1420	14mm	G3/4				2.52	20	13	≥ 0.5Hz	
SB116-2B2020	20mm	G3/4				5	20	13	≥ 0.5Hz	
SB116-2B2025	20mm	G1	5	20	13	≥ 0.5Hz				
SB116-2B4035	40mm	G1 <sup>1</sup> / <sub>4</sub>	0.025 ~1.6MPa			18	20	13	≥ 0.33Hz	
SB116-2B4040	40mm	G1 <sup>1</sup> / <sub>2</sub>				18	20	13	≥ 0.33Hz	
SB116-2B5050	50mm	G2				28	20	13	≥ 0.33Hz	

## Speciality

- It can be used in gas,water,oil,weak acid& Alkali.
- Low noise, No-water hammer impact ,low noise, stable working, large flow, long service life.
- Coil model:BD-A-3
- Change to Ex-proof & suitable armature, it can used as Ex-proof valve. The coil made from thermosetting plastic encapsulating, the protection class IP65.Plug confirms with ISO standard.



## Overall Dimension



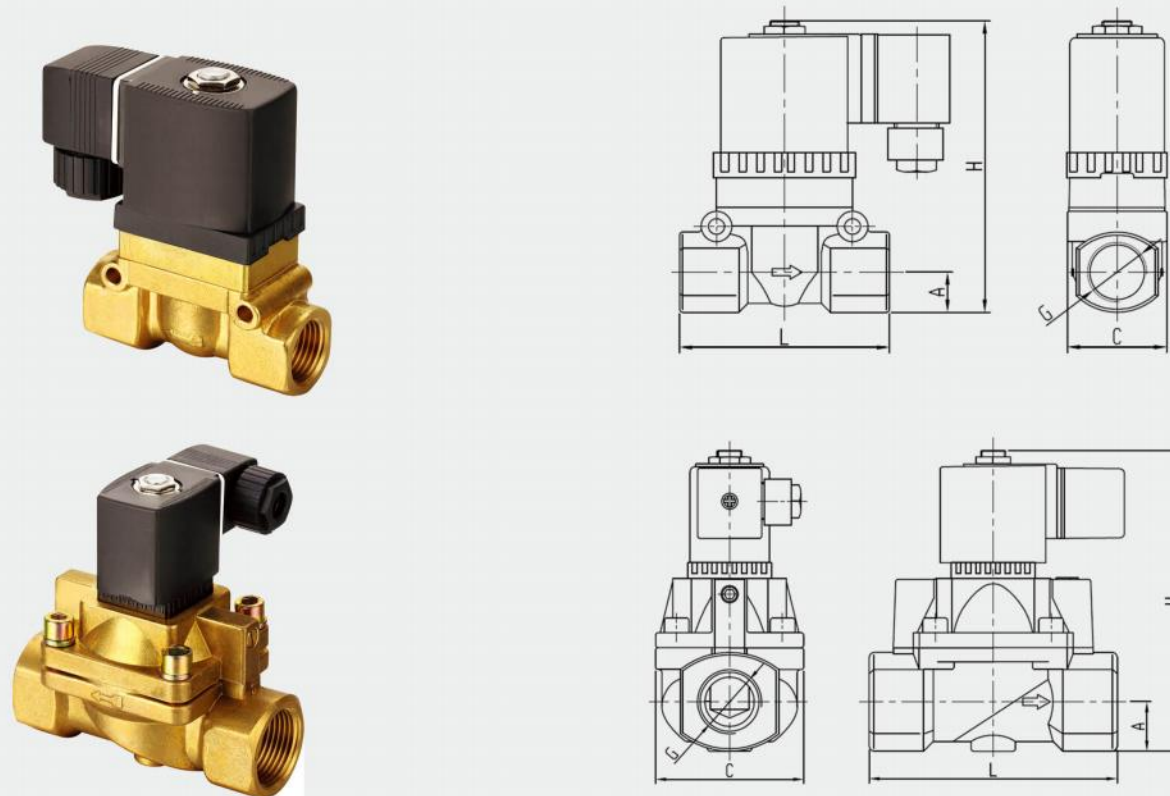
Model	G	C	2-F	L	J	A	B	H	K
SB116-2B1008	G1/4"	38	15	50	27	72.5	86	36	76
SB116-2B1010	G3/8"	38	15	50	27	72.5	86	36	76
SB116-2B1015	G1/2"	38	15	50	27	72.5	86	36	76
SB116-2B1415	G1/2"	44	16	67	27	78.5	92	36	76
SB116-2B1420	G3/4"	44	16	58	32	79	95	36	76
SB116-2B2020	G3/4"	66	18	83	40	100	120	36	76
SB116-2B2025	G1"	66	18	83	40	100	120	36	76
SB116-2B4035	G1 <sup>1</sup> / <sub>4</sub> "	92	25	135	57	109.5	138	36	76
SB116-2B4040	G1 <sup>1</sup> / <sub>2</sub> "	92	25	135	57	109.5	138	36	76
SB116-2B5050	G2"	109	28	160	68	122	156	36	76

## SB116-4

### Specification

Model	Orifice	Connection ports	Working pressure	Ambient Temp.	Medium Temp.	Kv value (m3/h)	Power consumption		Response Frequency	Voltage
							AC(VA)	DC(W)		
SB116-41308	13mm	G1/4"	0.1 ~1.6MPa	-20~+55°C	-10~180°C	3.6	20	13	≥ 1Hz	DC12V DC24V AC24V AC36V AC110V AC220V AC380V ±10%
SB116-41310	13mm	G3/8"				3.6	20	13	≥ 1Hz	
SB116-41315	13mm	G1/2"				3.6	20	13	≥ 1Hz	
SB116-42520	25mm	G3/4"				11	20	13	≥ 0.5Hz	
SB116-42525	25mm	G1"				11	20	13	≥ 0.5Hz	

### Overall Dimension



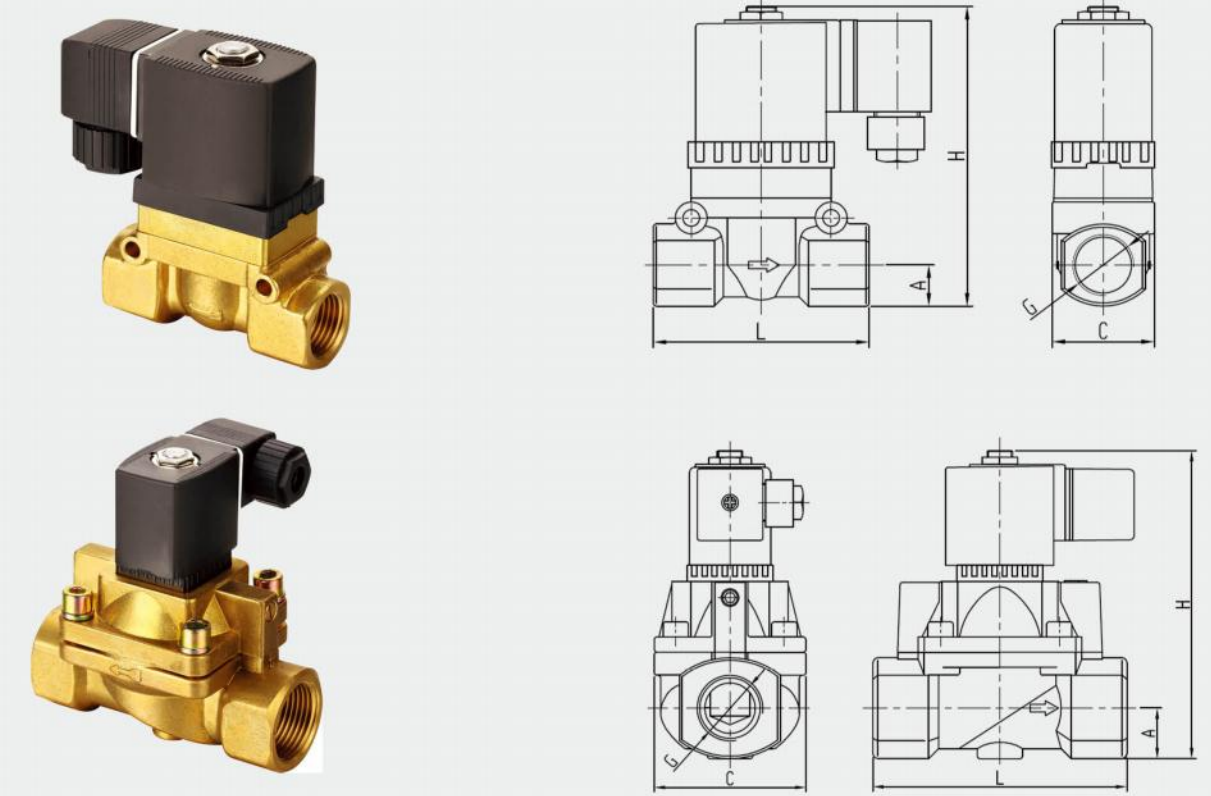
Model	G	K	L	B	A
SB116-41308	G1/4"	33.5	72	98	13
SB116-41310	G3/8"	33.5	72	98	13
SB116-41315	G1/2"	33.5	72	98	13
SB116-42520	G3/4"	60	100	120	20
SB116-42525	G1"	60	100	120	20

## SB116-5

### Specification

Model	Orifice	Connection ports	Working pressure	Ambient Temp.	Medium Temp.	Kv value (m3/h)	Power consumption		Response Frequency	Voltage
							AC(VA)	DC(W)		
SB116-51308	13mm	G1/4"	0.1 ~4.0MPa	-20~+55°C	0~+90°C	2.52	20	13	≥ 1Hz	DC12V DC24V AC24V AC36V AC110V AC220V AC380V ±10%
SB116-51310	13mm	G3/8"				2.52	20	13	≥ 1Hz	
SB116-51315	13mm	G1/2"				2.52	20	13	≥ 1Hz	
SB116-52520	25mm	G3/4"				5.0	20	13	≥ 0.5Hz	
SB116-52525	25mm	G1"				8.5	20	13	≥ 0.5Hz	

### Overall Dimension



Model	G	K	L	B	A
SB116-51308	G1/4"	33.5	72	85	13
SB116-51310	G3/8"	33.5	72	85	13
SB116-51315	G1/2"	33.5	72	85	13
SB116-52520	G3/4"	60	100	120	20
SB116-52525	G1"	60	100	120	20