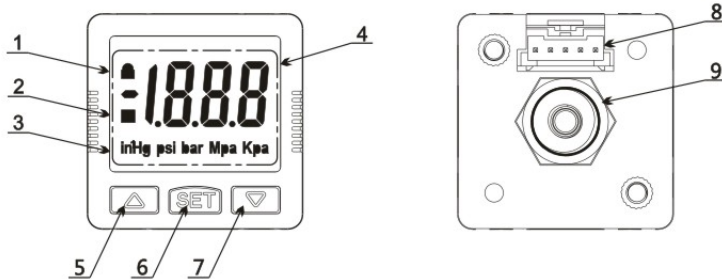


DPS-3 Series (Anti-corrision)

PANEL



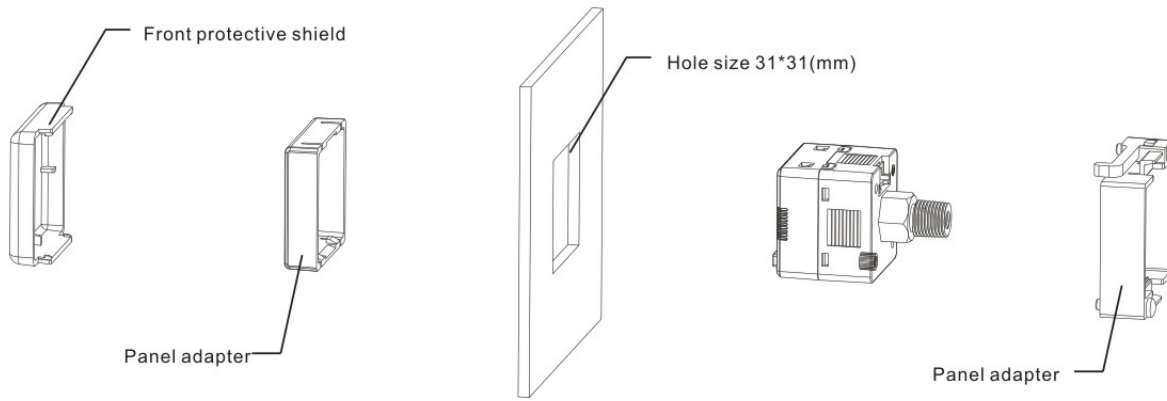
| 序号 | 名称 |
|----|----------------------|
| 1 | Locking indicator |
| 2 | Ouput indicator |
| 3 | Pressure unit |
| 4 | Main display section |
| 5 | Up button |
| 6 | Setting button |
| 7 | Down button |
| 8 | Electric interface |
| 9 | Pressure port |

SPECIFICATION

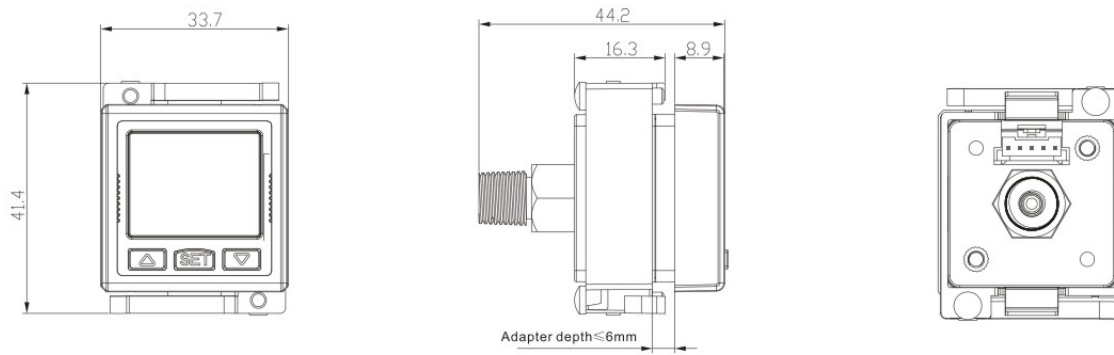
| Model | | DPS-301(Compound) | DPS-310(Positive) |
|-------------------------|---|--|---|
| Pressure measure | Range Of Measure | -100kPa~100kPa | -0.100MPa~1.000MPa |
| | Setting Range | -100kPa~100kPa | 0.000MPa~1.000MPa |
| | Withstand Pressure | 500kPa | 1.500MPa |
| | Pressure Type | Non-flammable ,Non-positive gas, Gauge pressure measurement | |
| | Measure Accuracy | ≤±2%f.s.(ambient temperature 25°C) | |
| | Temperature Error | ≤±3%f.s.(t emperature range 0~ 50°C) | |
| | Measure Pattern | Hysteresis mode Single point mode Window mode | |
| Port size | | External R1/8, NPT1/8, G1/8 option , internal thread M5 | |
| Display | Status Display | LCD display,4-digital measurement value ,unit display ,output status display | |
| | Display Model | Adjustable backlight ,4 groups of dispaly models | |
| Input Power | Voltage Range | 12~24vdc ±10% | |
| | Power Consuption | 40ma max(non-load) | |
| Output Signal | Transistor Output | NPN open-collector oupt Output current :80ma max Voltage drop : ≤1v | PNP open-collector oupt Output current :80ma max Voltage drop : ≤1v |
| | Response Time | Adjustable : 2.5ms、 20ms、 100ms、 500ms、 1000ms、 2000ms | |
| | Short-circuit Protecdtion | Yes | |
| Environmetal Resistance | Ip Class | Ip65 | |
| | Ambient Temperature | Operating temperature 0~50°C ,storage temperature -20~60°C | |
| | Ambient Humidity | Operating humidity 35~ 80%rh | |
| | Insulation Voltage | 1000vac 1min | |
| | Insulation Resistance | ≥50mΩ(500vdc) | |
| | Shock | Max100m/s ² ,3time seach in 6 directions of x,y,z | |
| Vibration | Amplitude 1.5mm, 10hz~ 500hz, 2 hours each direction of x,y,z | | |

DPS series digital pressure switch

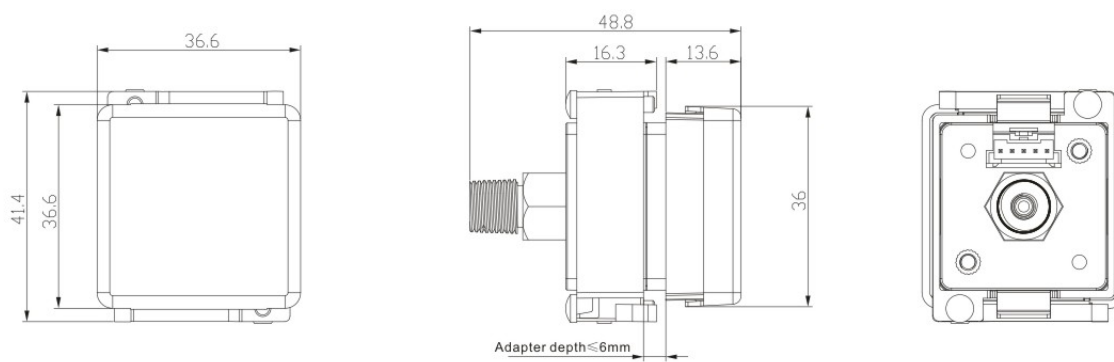
Panel bracket



Panel mount



Add dust cover installation



Wire dimension

