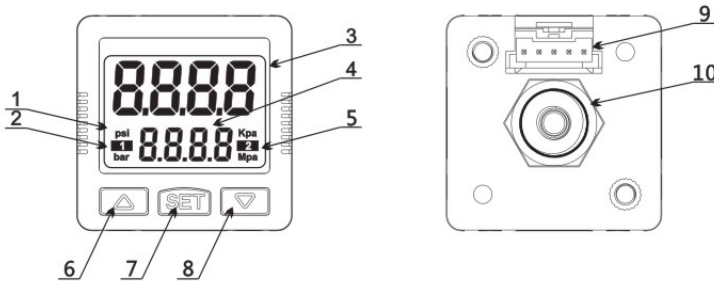


# DPS-2 Series

## PANEL

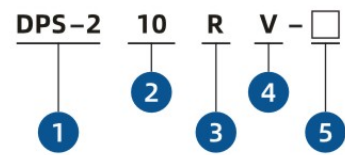


No	Name
1	Pressure Unit
2	Ouput 1 Indicator
3	Main Display Section
4	Sub-display Section
5	Ouput 2 Indicator
6	Up Button
7	Setting Button
8	Down Button
9	Electric Interface
10	Pressure Port

## SPECIFICATION

Model		DPS-201(Compound)	DPS-210(Positive)
Pressure measure	Range Of Measure	-100kPa~100kPa	-0.100MPa~1.000MPa
	Setting Range	-100kPa~100kPa	0.000MPa~1.000MPa
	Withstand Pressure	500kPa	1.500MPa
	Pressure Type	Non-flammable ,Non-corrosive gas, Gauge pressure measurement	
	Measure Accuracy	≤±2%F.S.(Ambient temperature 25°C)	
	Temperature Error	≤±3%F.S. ( Temperature range 0~ 50°C)	
	Measure Pattern	Hysteresis model Compare mode of upper and lower bounds	
Port size		External R1/8、NPT1/8、G1/8 option , internal thread M5	
Display	Brief Description	Double LCD display	
	Status Display	4-digital measurement value ,unit display,output status display	
	Display Model	Adjustable backlight ,4 groups of dispaly models	
Input Power	Voltage Range	12~24vdc ±10%	
	Power Comsuption	40mA MAX( Non-load )	
Output Signal	Transistor Output	NPN open-collector oupt Output current :80mA MAX Voltage drop : ≤1V	PNP open-collector oupt Output current :80mA MAX Voltage drop : ≤1V
	Analog Output	Voltage output Signal ampliude:1~5V Load resistance >1 kΩ	Current output Signal ampliude:4~20mA Load resistance<400Ω
	Response Time	Adjustable : 2.5ms、 20ms、 100ms、 500ms、 1000ms、 1500ms	
	Short-circuit Protecdition	Yes	
Environmetal Resistance	Ip Class	IP40	
	Ambient Temperature	Operating temperature 0~50°C ,storage temperature -20~60°C	
	Ambient Humidity	Operating humidity 35~ 80%RH	
	Insulation Voltage	1000VAC 1min	
	Insulation Resistance	≥500mΩ(500VDC)	
	Shock	Max100m/s²,3time seach in 6 directions of x,y,z	
	Vibration	A mplitude 1.5mm, 10HZ~ 500HZ, 2 hours each direction of x,y,z	

## ORDERING CODE



### 1. DPS-2 Series

### 2. Range

10: -100~1000kpa  
01: -100~100kpa

### 3. Port

R: R1/8(M5 female thread)  
N: NPT1/8 (M5 female thread)  
G: G1/8 (M5 female thread)

### 4. Output

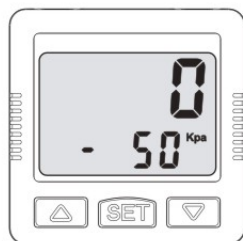
N: NPNx2  
P: PNPx2  
A: NPN+Analog 4~20mA  
V: NPN+Analog 1~5V  
B: PNP+Analog 4~20mA  
W: PNP+Analog 1~5V

### 5. Mounting

M: Panel  
N: Panel+shield  
Z: L bracket  
S: S bracket

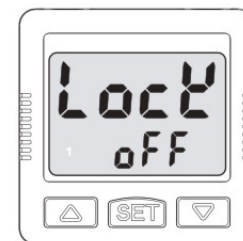
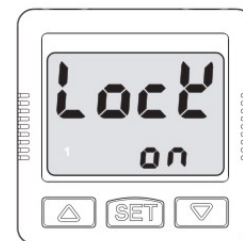
## QUICK SETTING

### Zero point setting



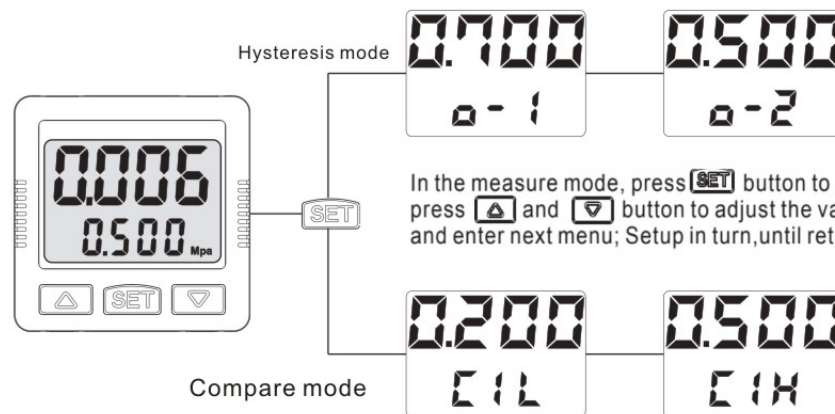
In the measure mode, press  $\Delta$   $\nabla$  button at the same time, until display "0", release the button;  
PS: reset range: +/-10%F.S.

### key lock and unlock



Lock: in the measure mode, press  $\Delta$  + **SET** +  $\nabla$  button at the same time until "LOCK ON" shown, release the buttons;  
Unlock: in the measure mode, press  $\Delta$  + **SET** +  $\nabla$  button at the same time until "LOCK OFF" shown, release the buttons.

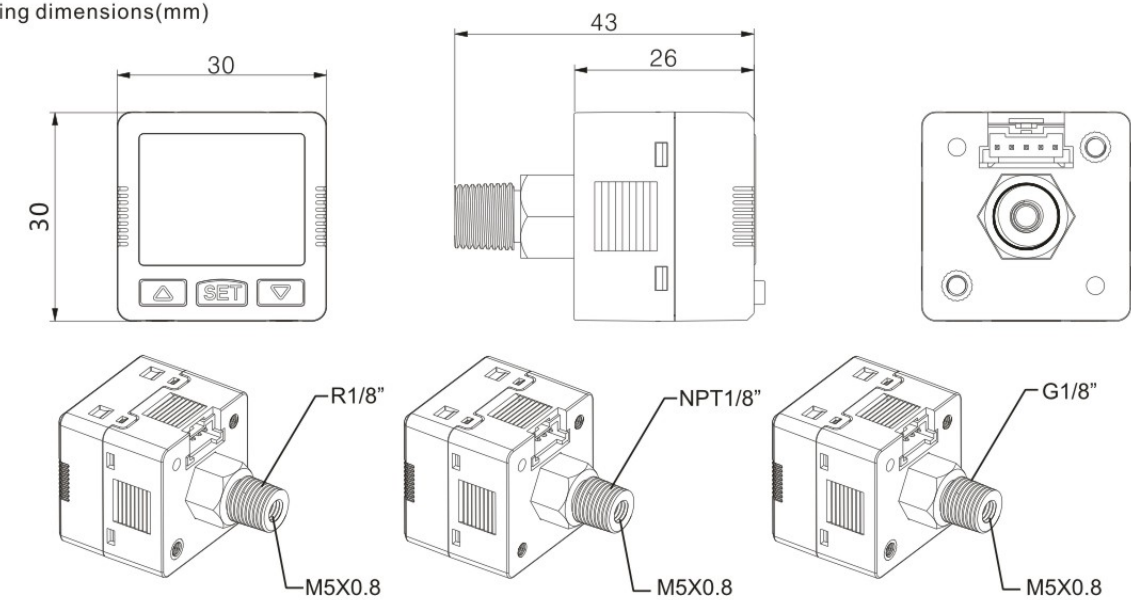
### Easy setup



In the measure mode, press **SET** button to enter easy setting mode, press  $\Delta$  and  $\nabla$  button to adjust the value; press **SET** button and enter next menu; Setup in turn, until return to measurement interface.

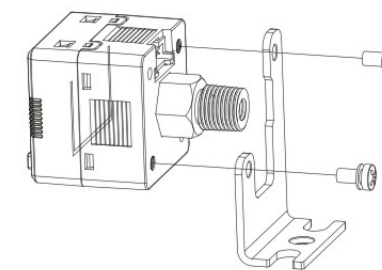
## MOUNTING DIMENSIONS(mm)

Mounting dimensions(mm)

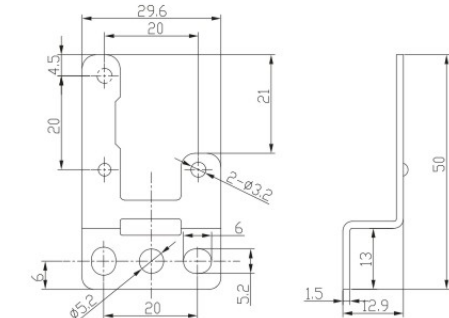
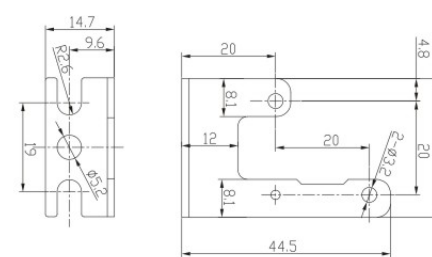
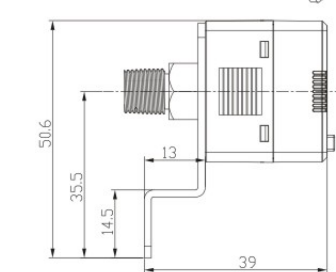
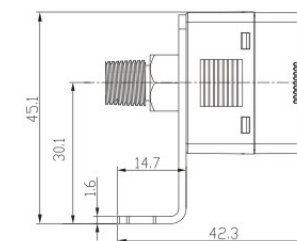
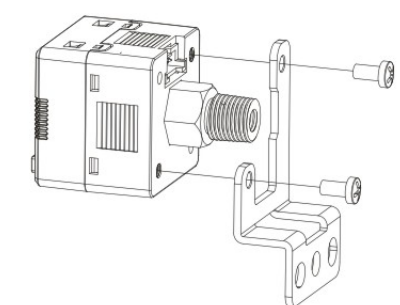


Mounting Bracket

L bracket

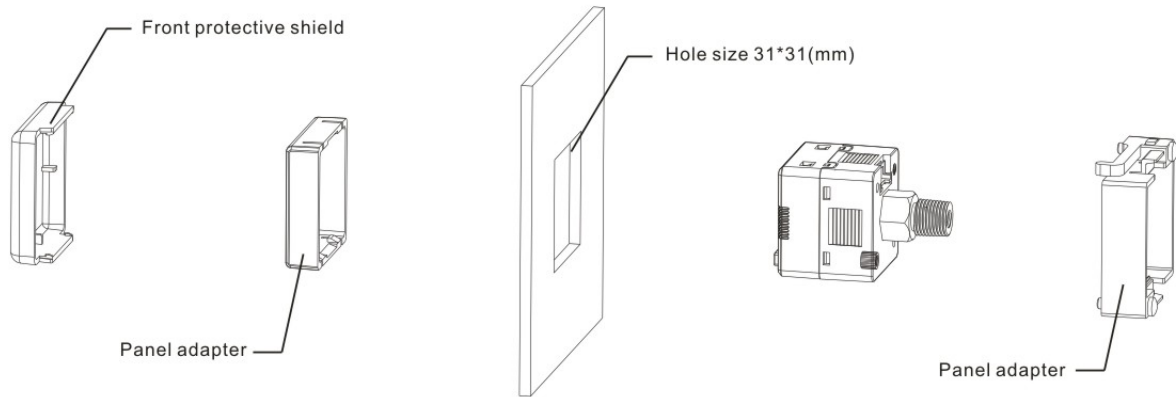


S bracket

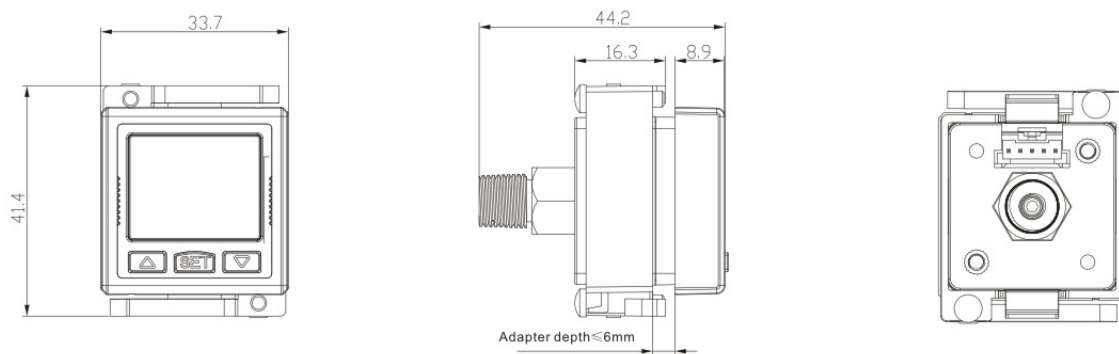


# DPS series digital pressure switch

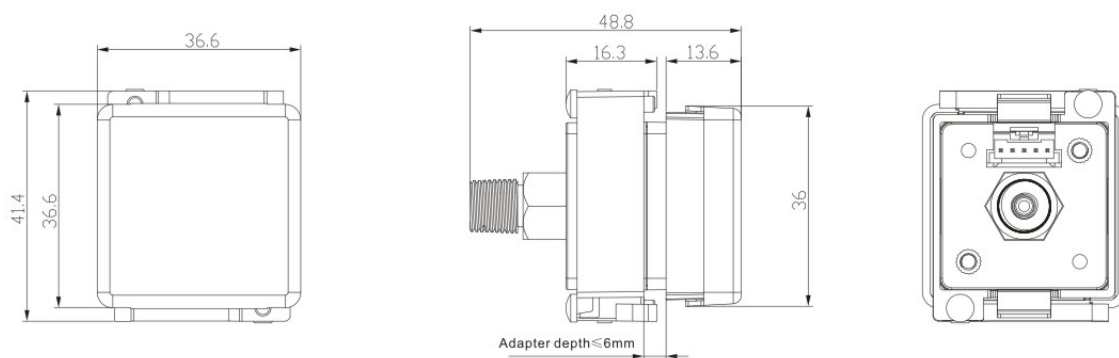
## Panel bracket



## Panel mount



## Add dust cover installation



## Wire dimension

