

4V300



FEATURES

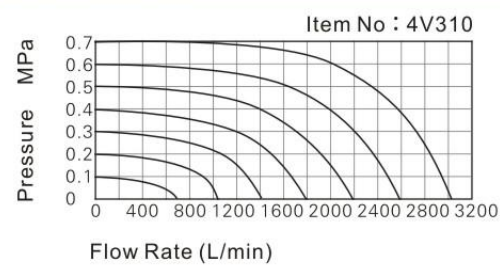
1. Low power consumption, centralized exhaust of pilot valve and main valve.
2. The product has the advantages of small volume, large flow, beautiful appearance, sensitive action, integrated installation, good wear resistance and long service life

SPECIFICATION

Item No.	4V310-08	4V320-08	4V330C-08	4V330E-08	4V330P-08	4V310-10	4V320-10	4V330C-10	4V330E-10	4V330P-10
	4A310-08	4A320-08	4A330C-08	4A330E-08	4A330P-08	4A310-10	4A320-10	4A330C-10	4A330E-10	4A330P-10
Type	5/2		5/3			5/2		5/3		
Flow Rate	25mm ² (Cv=1.40)		18mm ² (Cv=1.00)			30mm ² (Cv=1.68)		18mm ² (Cv=1.0)		

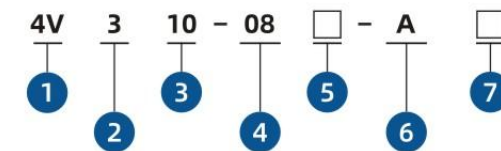
Item No.	3V310-08	3V320-08	3A310-08	3A320-08	3V310-10	3V320-10	3A310-10	3A320-10
Type	3/2				3/2			
Flow Rate	25mm ² (Cv=1.40)				30mm ² (Cv=1.68)			
Connection Ports	Input=Output=Exhaust=G1/4"				Input=Output=G3/8",Exhaust=G1/4"			
Working Medium	Compressed Air (filtered by 40µm filter screen)							
Working Type	Pilot Type							
Working Pressure	0.15-0.8 MPa							
Max. Pressure	1.2 MPa							
Ambient Temp.	-5~50°C							
Voltage Tolerance	±10%							
Power	AC:4.5VA DC:3W							
Insulation Class Protection Class	F .IP65							
Terminal	Leading Wire or DIN type							
Maximum action frequency	5 Cycles /s							
Response Time	0.05 s							

FLOW CHARACTERISTICS



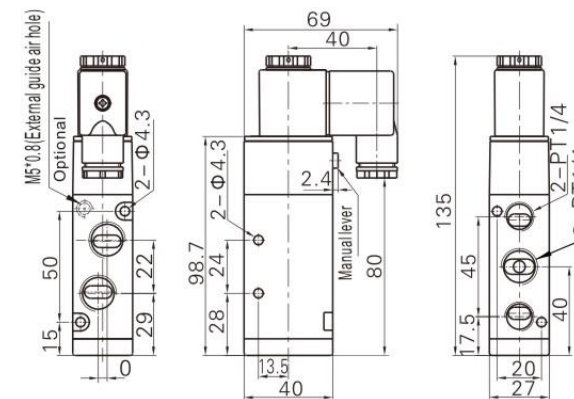
Note: the flow value in the chart is the AIRTAC laboratory test value.

ORDERING CODE

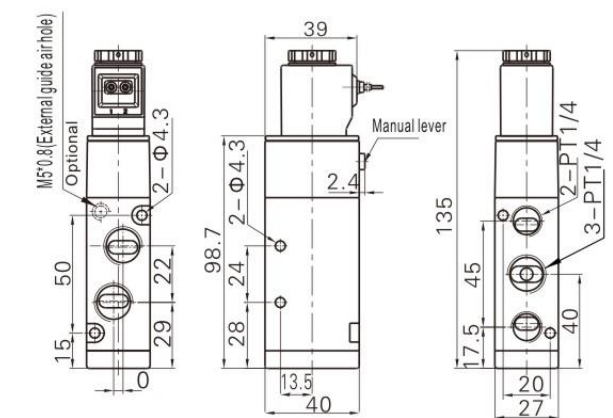


1. Specification
4V : 5/2(5/3) Solenoid Valve
4A : 5/2(5/3) Air control valve
3V : 3/2 Solenoid Valve
3A : 3/2 Air control Valve
2. Series
3 Series
3. Coil & Position
10 : Single Coil Double Position
20 : Double Coil Double Position
30C : Double Coil Three Position Center Close type
30E : Double Coil Three Position Center Exhaust type
30P : Double Coil Three Position Center Pressure type
4. Pipe Size
08 : G1/8
10 : G3/8
5. Connection Type
Blank : Thread Type
B : 5/2 Namur Type
C : 5/3 Namur Type
6. Voltage
A : AC220V
B : DC24V
C : AC110V
D : DC12V
E : AC24V
F : AC380V
7. Terminal
Blank : Black Connector
LD : Brown House LED Connector
LD1 : White house LED Connector
W : Lead wire Type

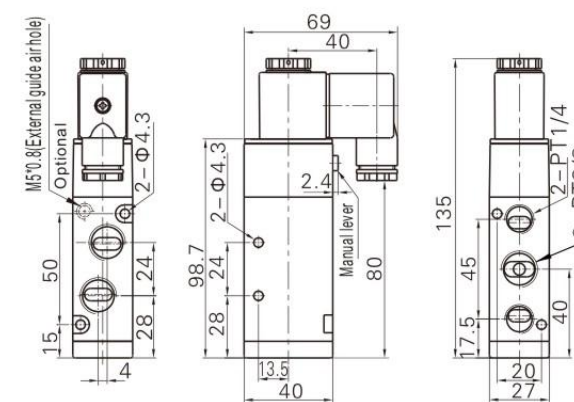
4V310-08 (DIN Connector)



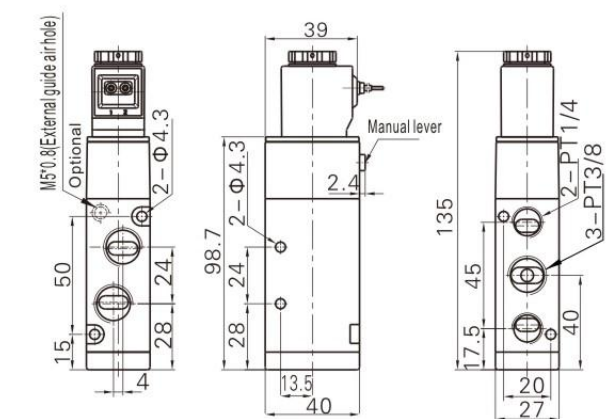
4V310-08 (Leading Wire Type)



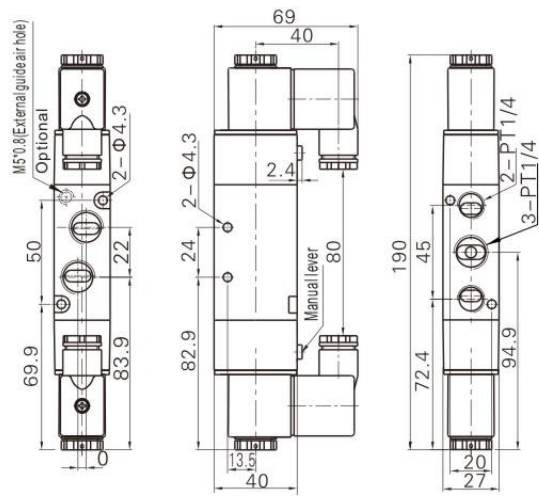
4V310-10 (DIN Connector)



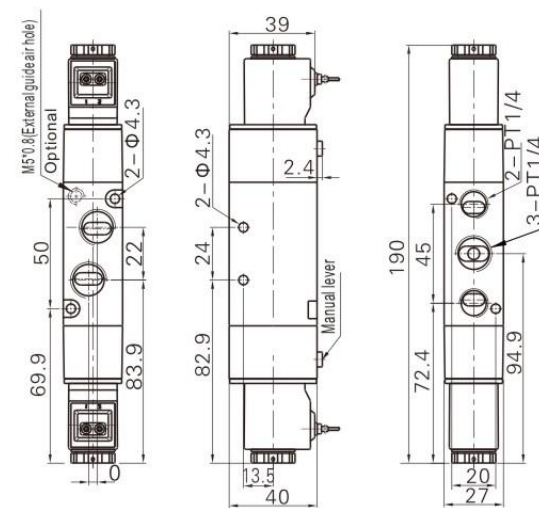
4V310-10 (Leading Wire Type)



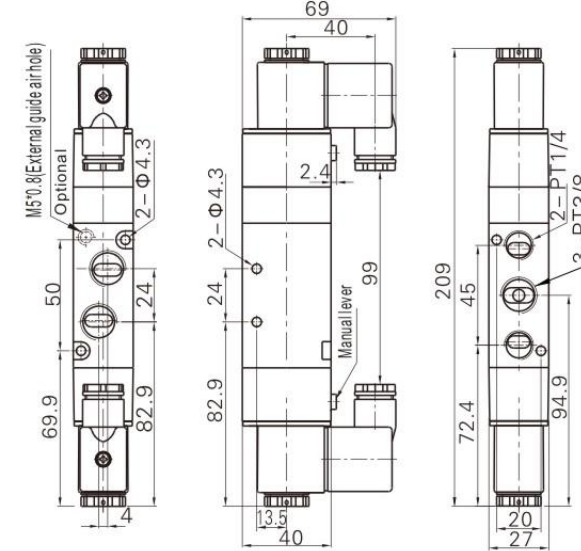
4V320-08 (DIN Connector)



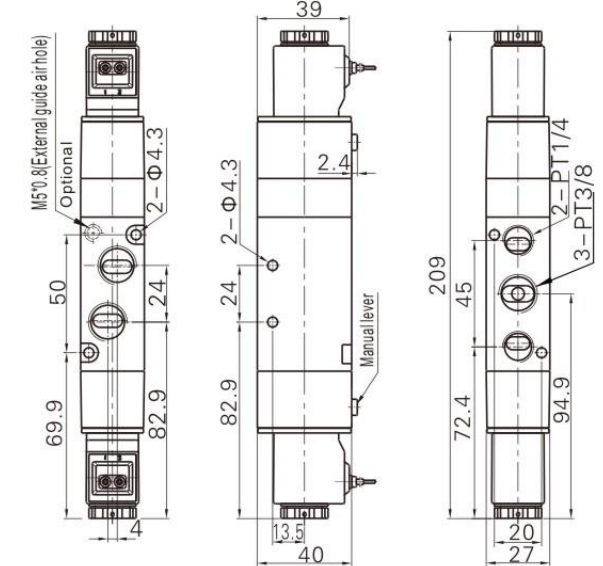
4V320-08 (Leading Wire Type)



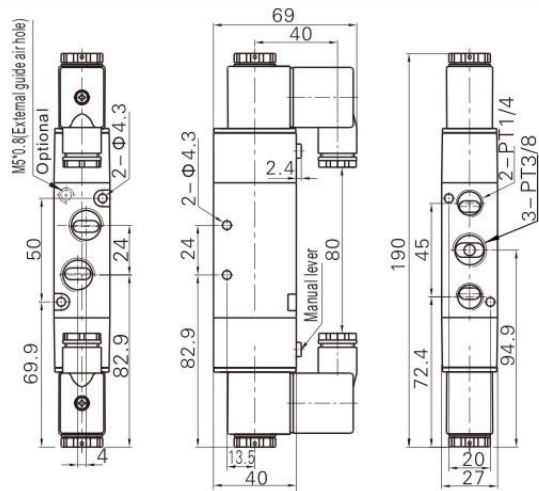
4V330-10 (Leading Wire Type)



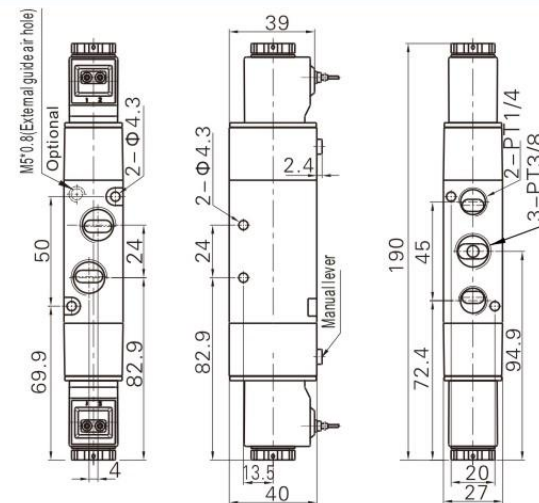
4V330-10 (Leading Wire Type)



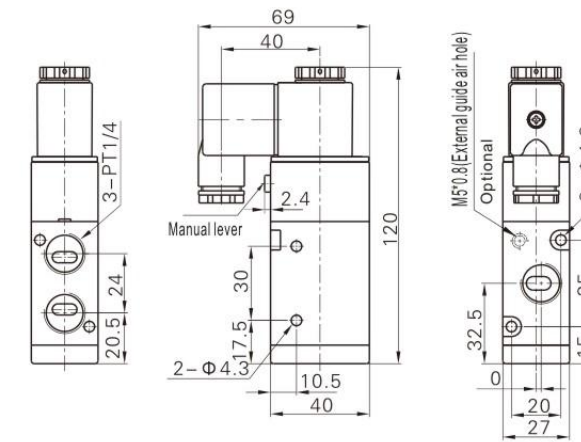
4V320-10 (DIN Connector)



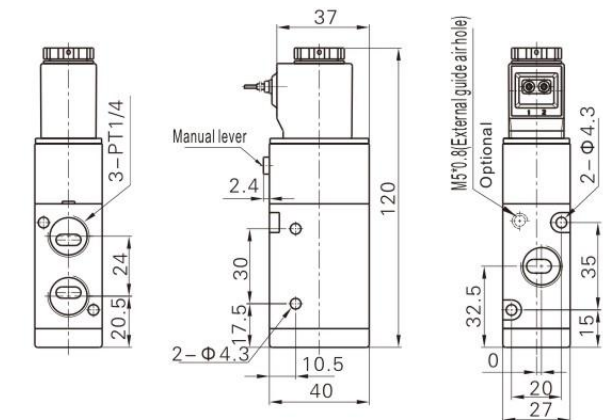
4V320-10 (Leading Wire Type)



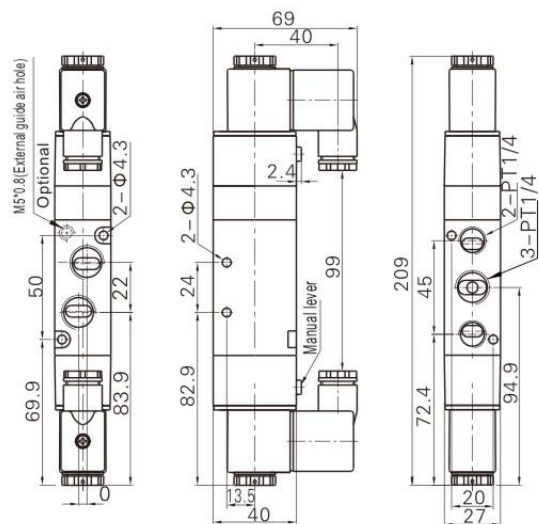
3V310-08 (DIN Connector)



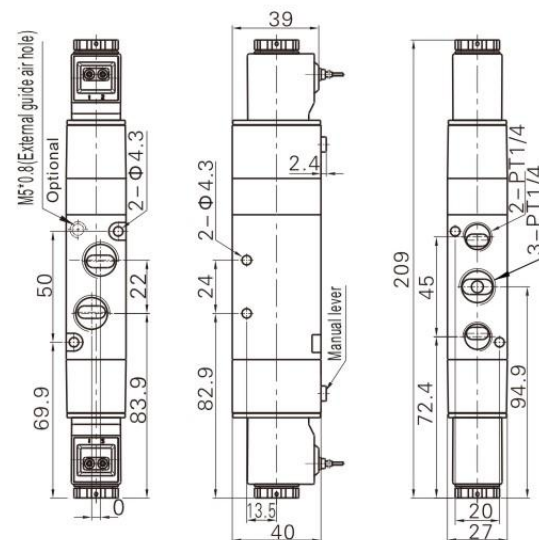
3V310-08 (Leading Wire Type)



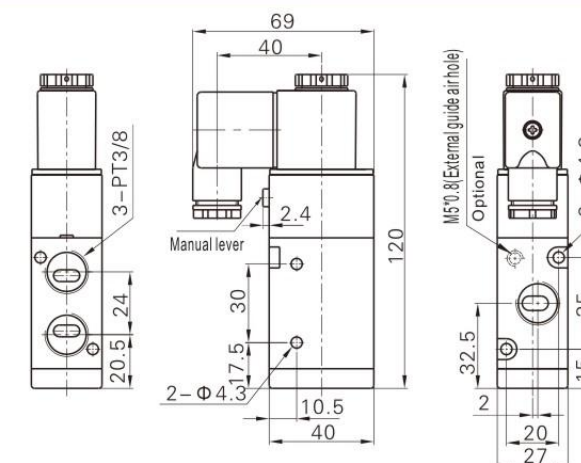
4V330-08 (DIN Connector)



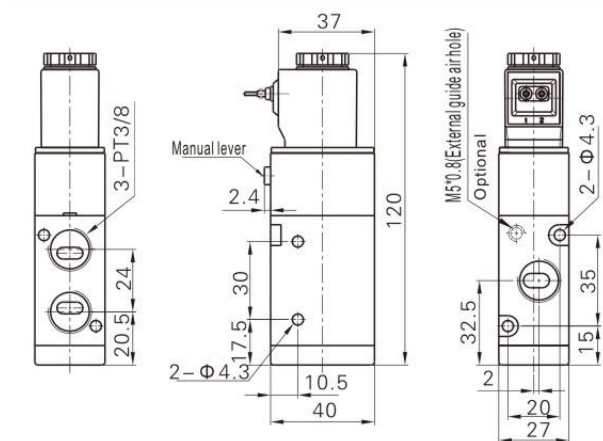
4V330-08 (Leading Wire Type)



3V310-10 (DIN Connector)

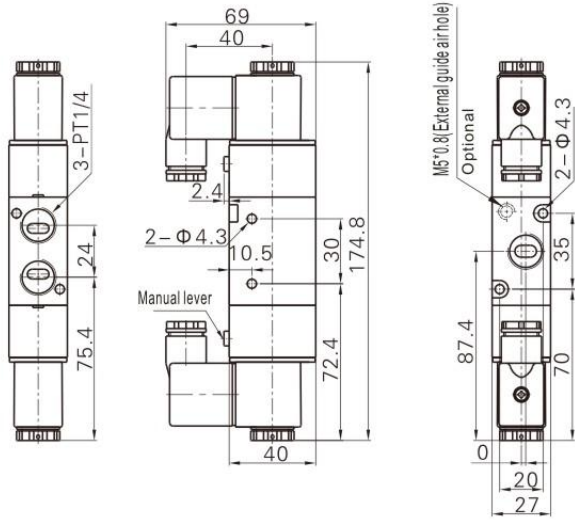


3V310-10 (Leading Wire Type)

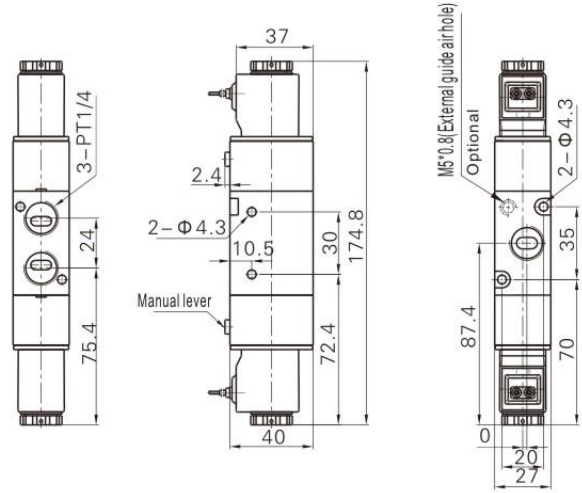


4V Series Valve

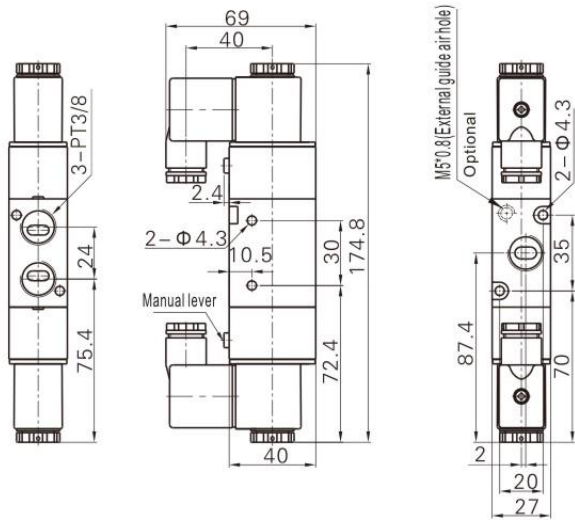
3V320-08 (DIN Connector)



3V320-08 (Leading Wire Type)



3V320-10 (Leading Wire Type)



3V320-10 (Leading Wire Type)

