

4V200



FEATURES

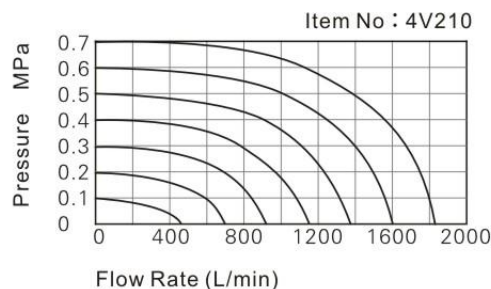
1. Low power consumption, centralized exhaust of pilot valve and main valve.
2. The product has the advantages of small volume, large flow, beautiful appearance, sensitive action, integrated installation, good wear resistance and long service life

SPECIFICATION

| | | | | | | | | | | |
|-----------|-----------------------------|----------|-----------------------------|-----------|-----------|-----------------------------|----------|-----------------------------|-----------|-----------|
| Item No. | 4V210-06 | 4V220-06 | 4V230C-06 | 4V230E-06 | 4V230P-06 | 4V210-08 | 4V220-08 | 4V230C-08 | 4V230E-08 | 4V230P-08 |
| | 4A210-06 | 4A220-06 | 4A230C-06 | 4A230E-06 | 4A230P-06 | 4A210-08 | 4A220-08 | 4A230C-08 | 4A230E-08 | 4A230P-08 |
| Type | 5/2 | | 5/3 | | | 5/2 | | 5/3 | | |
| Flow Rate | 14mm ² (Cv=0.78) | | 12mm ² (Cv=0.67) | | | 16mm ² (Cv=0.89) | | 12mm ² (Cv=0.67) | | |

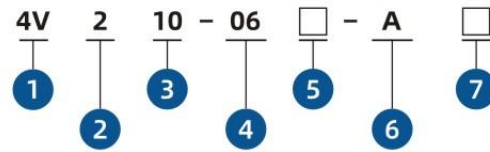
| | | | | | | | | |
|--------------------------------------|---|----------|----------|----------|---------------------------------|----------|----------|----------|
| Item No. | 3V210-06 | 3V220-06 | 3A210-06 | 3A220-06 | 3V210-08 | 3V220-08 | 3A210-08 | 3A220-08 |
| Type | 3/2 | | | | 3/2 | | | |
| Flow Rate | 14mm ² (Cv=0.78) | | | | 16mm ² (Cv=0.89) | | | |
| Connection Ports | Input=Output=Exhaust=G1/8" | | | | Input=Output=G1/4 ,Exhaust=G1/8 | | | |
| Working Medium | Compressed Air (filtered by 40µm filter screen) | | | | | | | |
| Working Type | Pilot Type | | | | | | | |
| Working Pressure | 0.15-0.8 MPa | | | | | | | |
| Max. Pressure | 1.2 MPa | | | | | | | |
| Ambient Temp. | -5~50℃ | | | | | | | |
| Voltage Tolerance | ±10% | | | | | | | |
| Power | AC:4.5VDC:3W | | | | | | | |
| Insulation Class Protection Class | F .IP65 | | | | | | | |
| Terminal | Leading Wire or DIN type | | | | | | | |
| Maximum action frequency | 5 Cycles /s | | | | | | | |
| Response Time | 0.05 s | | | | | | | |

FLOW CHARACTERISTICS



Note: the flow value in the chart is the AIRTAC laboratory test value.

ORDERING CODE



1. Specification

4V : 5/2(5/3) Solenoid Valve
 4A : 5/2(5/3) Air control valve
 3V : 3/2 Solenoid Valve
 3A : 3/2 Air control Valve

2. Series

2 Series

3. Coil & Position

10 : Single Coil Double Position
 20 : Double Coil Double Position
 30C : Double Coil Three Position Center Close type
 30E : Double Coil Three Position Center Exhaust type
 30P : Double Coil Three Position Center Pressure type

4. Pipe Size

06 : G1/8
 08 : G1/4

5. Connection Type

Blank : Thread Type
 B : 5/2 Namur Type
 C : 5/3 Namur Type

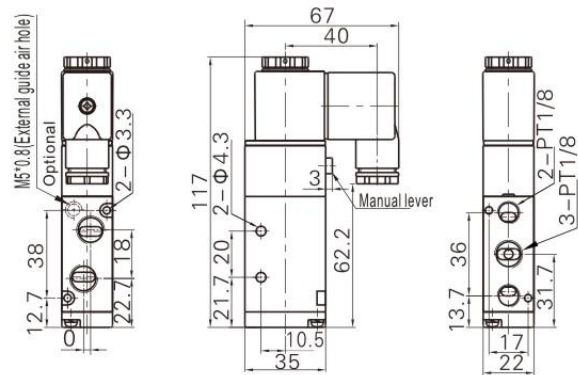
6. Voltage

A : AC220V
 B : DC24V
 C : AC110V
 D : DC12V
 E : AC24V
 F : AC380V

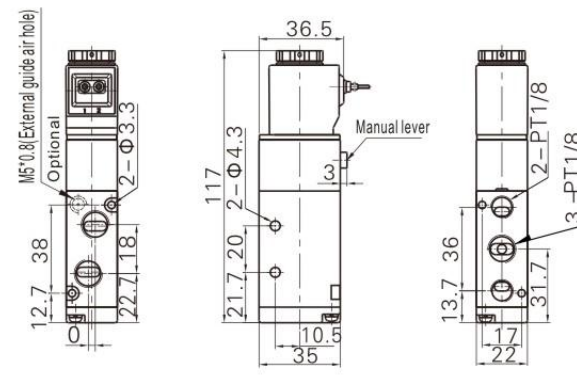
7. Terminal

Blank : Black Connector
 LD : Brown House LED Connector
 LD1 : White house LED Connector
 W : Lead wire Type

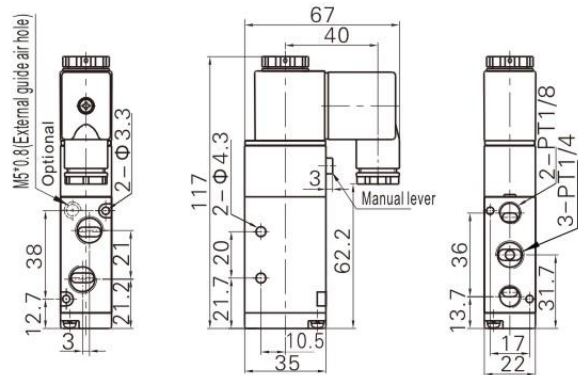
4V210-06 (DIN Connector)



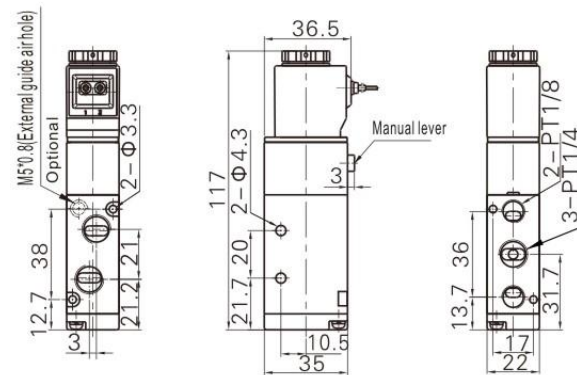
4V210-06 (Leading Wire Type)



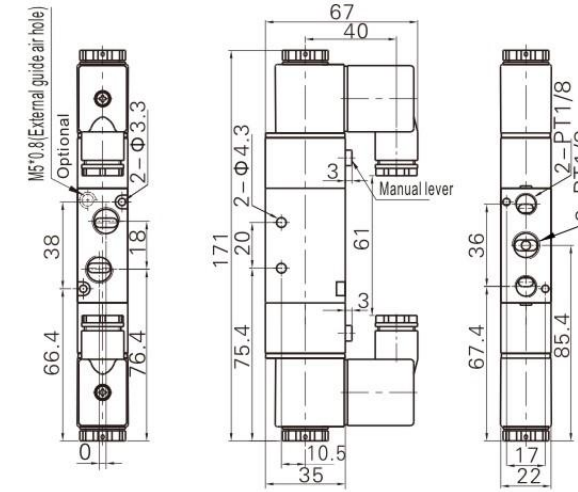
4V210-08 (DIN Connector)



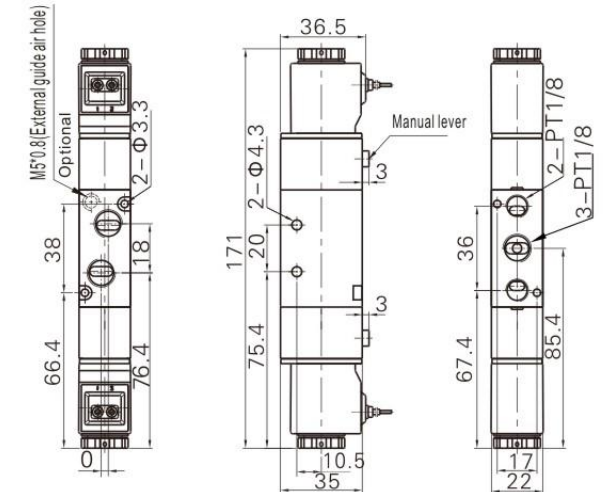
4V210-08 (Leading Wire Type)



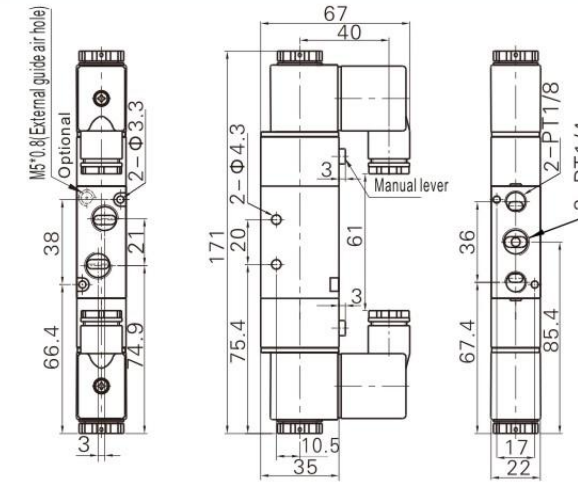
4V220-06 (DIN Connector)



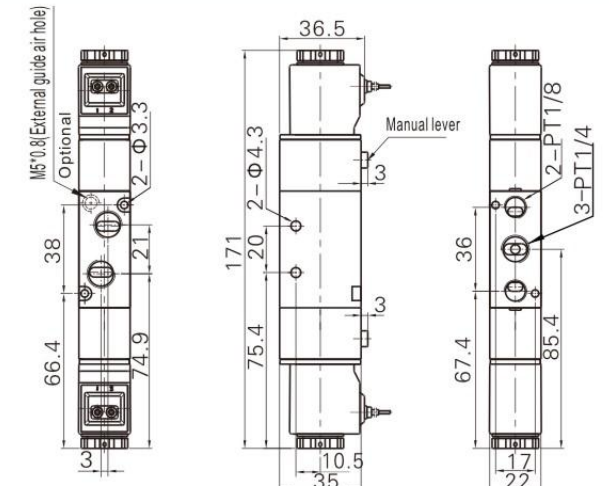
4V220-06 (Leading Wire Type)



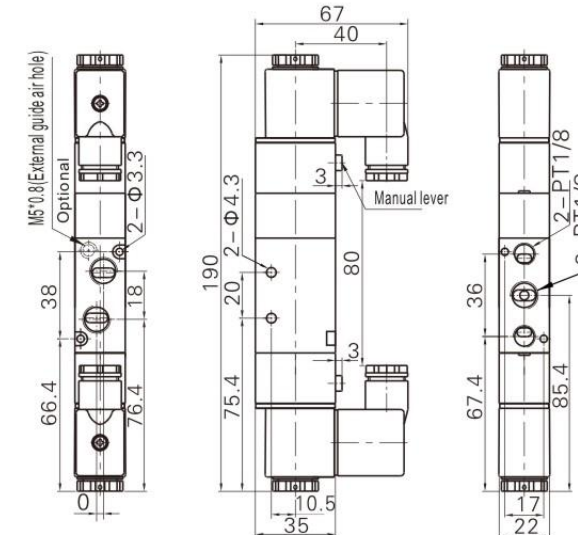
4V220-08 (DIN Connector)



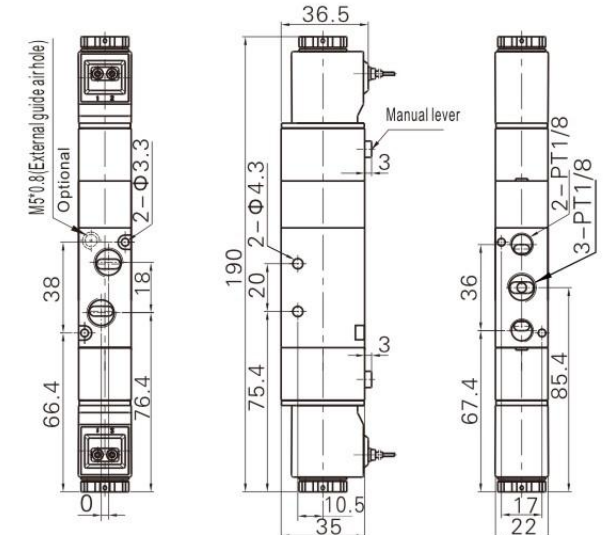
4V220-08 (Leading Wire Type)



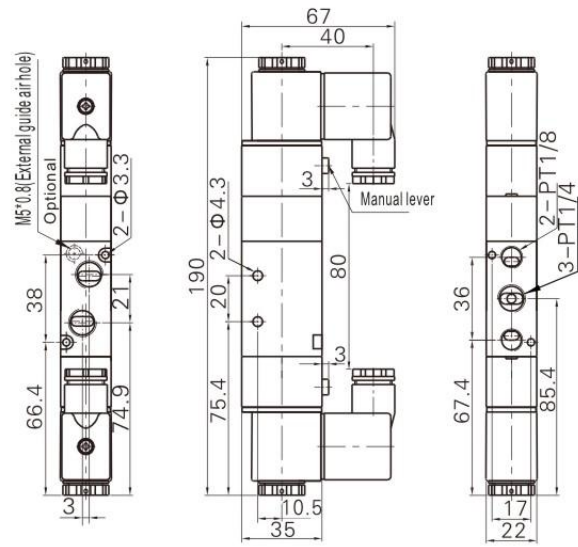
4V230-06 (DIN Connector)



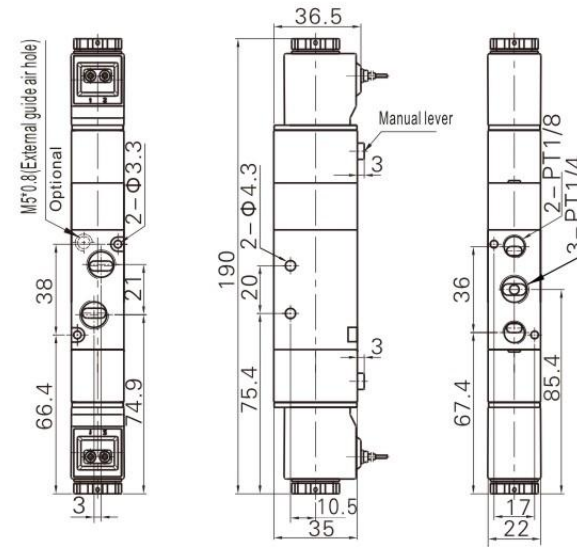
4V230-06 (Leading Wire Type)



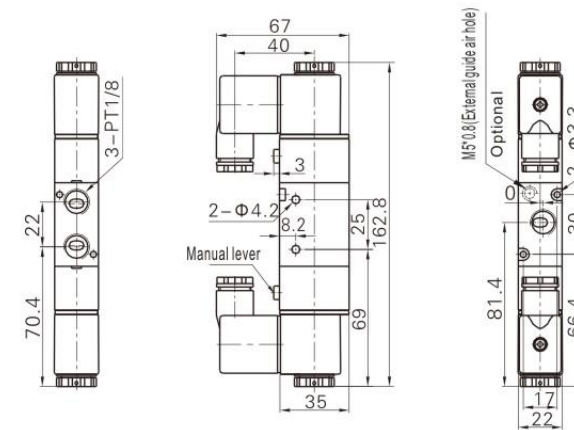
4V230-08 (Leading Wire Type)



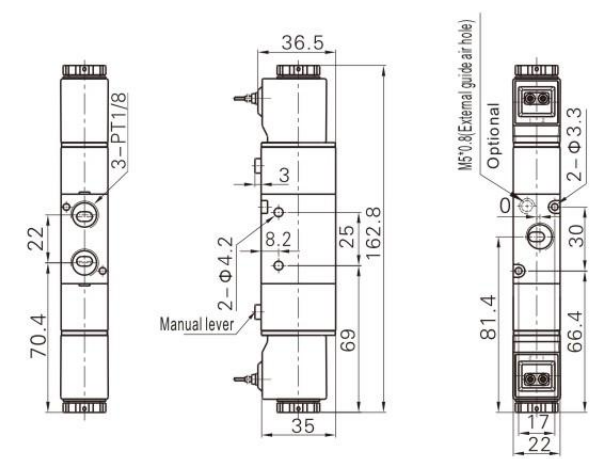
4V230-08 (Leading Wire Type)



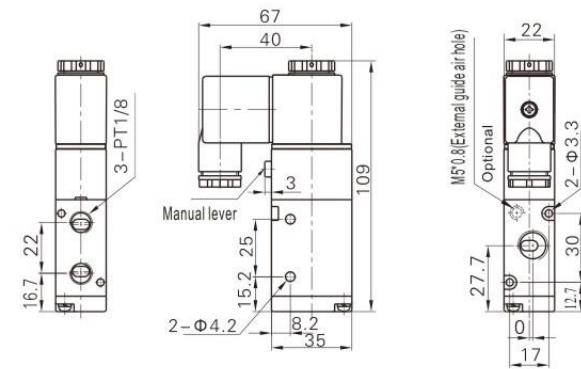
3V220-06 (DIN Connector)



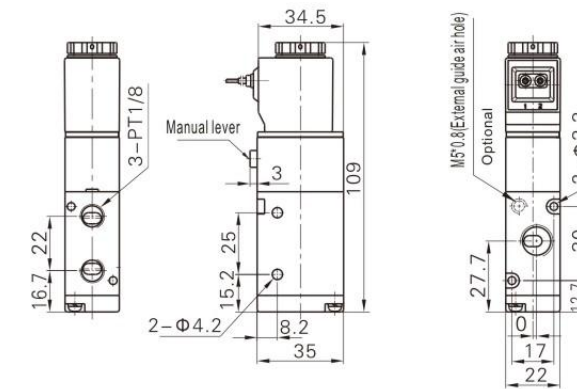
3V220-06 (Leading Wire Type)



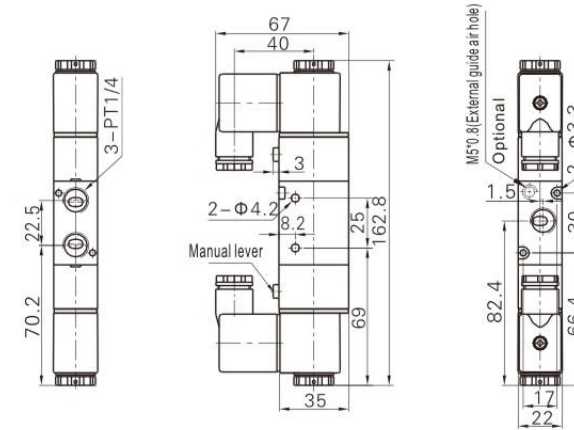
3V210-06 (DIN Connector)



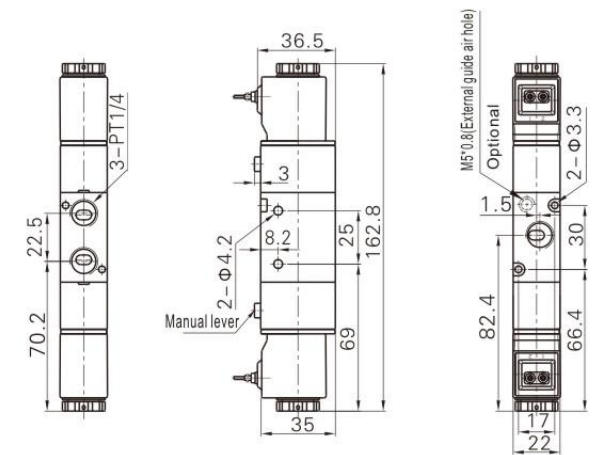
3V210-06 (Leading Wire Type)



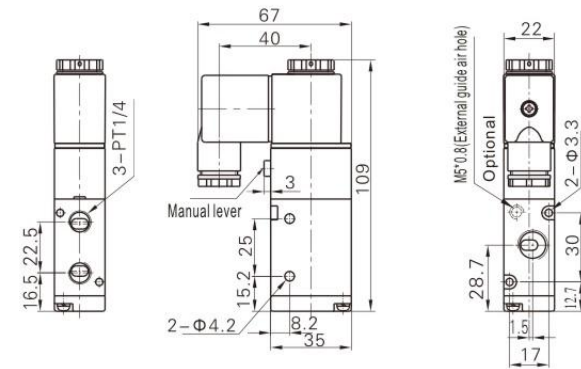
3V220-08 (Leading Wire Type)



3V220-08 (Leading Wire Type)



3V210-08 (DIN Connector)



3V210-08 (Leading Wire Type)

