

奉化市星宇电子有限公司
FENGHUA XINGYU ELECTRON CO.,LTD

地址：中国宁波江口方桥工业区恒丰路西端

Add : Hengfeng Road, Fangqiao Industry Zone, Ningbo, China

电话：(Tel) :0574-8884 7999

传真：(Fax):0574-8884 6999

国内销售电话：(Domestic Sales Phone):0574-8884 6983 88848607 88857513

国外销售电话：(Export Dept . Phone):0086-574-87029557 87029559 87029561

传真：(Export Dept . Fax):0086-574-87029565

Website:Http://www.xyelectron.com

E-mail:silvia@xyelectron.com (外销)

webmaster@xyelectron.com (内销)



电磁线圈及组件
Solenoid Coil & Solenoid Valve Accessories

本样本部分产品为客户定制品，仅作参考。
Parts of products are customized, only for reference

专家品质 全球信赖
Premier Quality Global Reputation



Company Profile



星宇电子有限公司始创于1990年，是生产电磁线圈和特种电磁阀等为自动化配套元件的专业厂家，目前产品多数应用于气动、液压等自控元件行业。产品已给国际上的众多知名品牌配套使用，深受客户信赖。

公司在同行中率先通过ISO9001质量体系认证，国家高新技术企业、并同时取得国家专利二十多项，部分产品更获得国家专业检测中心的防爆产品合格证书、全国工业产品生产许可证和欧共体的CE认证，近年来，与客户密切合作的多项产品顺利地通过美国UL认证，并严格按UL标准生产，使产品达到国际领先水平。公司自行研发能力强大，并自身成立检测、实验室，研发多项高新技术新产品项目，为客户新产品的开发和合作打开全球市场奠定良好的基础。

“追求品质，永无止境；”“共创专家品质，赢得全球信赖”；品质始终是我们星宇人不变的理念，让我们携起手来，争做行业先锋，共创辉煌的明天！

Fenghua Xingyu Electron Co., Ltd. was founded in 1990. It is one of the leading manufacturers of solenoid coils and special solenoid valves in China. Most of the products are offered to pneumatic and hydraulic factories, which include many famous groups in these two fields in the world.

Our company is the pioneer who got ISO9001 approval many years ago. Now we are national high-tech enterprise that have got more than 20 national patents, we have CE and Ex certificate for big part of our products, and we have got UL certificate for some products together with our customers. High standard QC system ensures our excellent quality. Our company has experienced R&D center, we have our own laboratory, which can develop new products as customers requests.

"Not to be the biggest, but to be the super excellence", quality is the most important issue of our company, we wish to make better future together with all our customers.

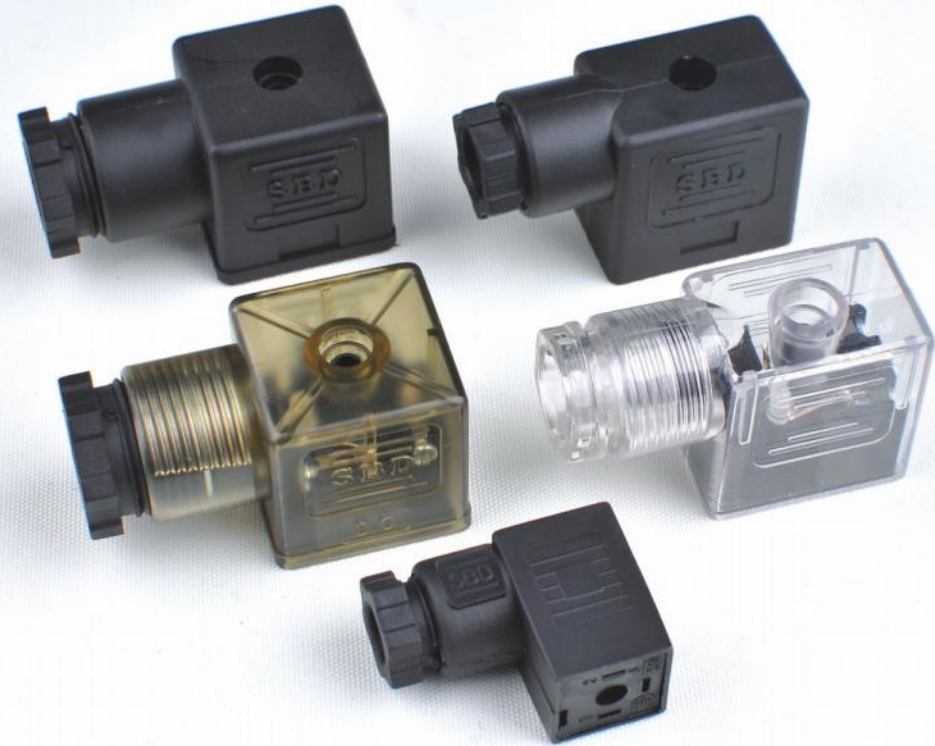
防爆线圈 Explosion proof solenoid coil



微型电磁阀、阀岛 Micro valve, Valve Terminal



接线盒 Connectors



电磁组件 Aramtire Sets



荣誉 Honor





产品展示
Product display

CNEX S UL ISO9001 CE

Xingyu | 星宇电子
XINGYU ELECTRON





自动化设备
Automation equipment

检测设备
Testing equipment

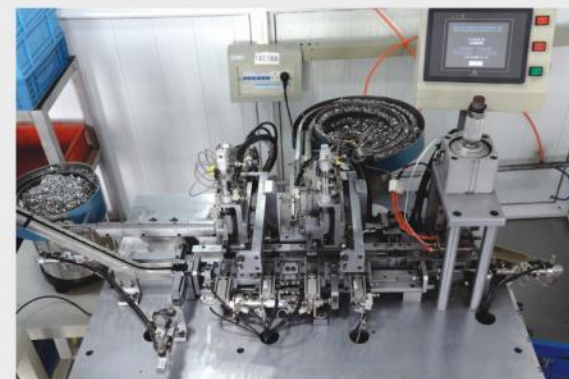
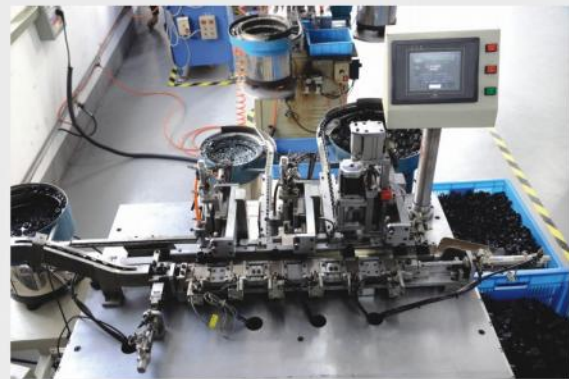


实验室一角



盐雾检测

实验室
laboratory



弹簧测试仪



3D 投影仪



高压测试台





生产车间
Work Room

CNEX S UL ISO9001 CE

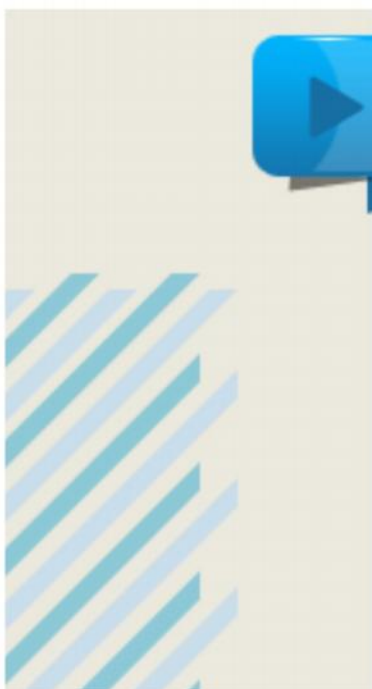
Xingyu 星宇电子
XINGYU ELECTRON



绕线车间
Winding Workshop



电子车间
Electronic Workshop



模具仓库
Mold
Warehouse



微型阀车间
Miniature valve plant



生产车间
Work Room

CNEX S UL ISO9001 CE

ingyu | 星宇电子
XINGYU ELECTRON



铁芯车间
Core Workshop



塑封车间
Molding Workshop



铁芯车间
Core Workshop



■ 电磁线圈/Solenoid Coils ---1

■ 热塑性塑封类/Thermoplastic ---2-17

02			03		
SB040 HY-A	SB041 STR-2	SB051 0200B	SB052 08210	SB056 AB410B	SB057 BD-A
04			05		
SB071 110A	SB075 210A	SB077 4V110	SB079 3130C	SB080 3130D	SB082 K23D-1.2
06			07		
SB083 K23D-2	SB085 K23D-3	SB090 BU-08	SB091 3130G	SB095 2BP-A	SB240 KFF-1
08			09		
SB241 NB09	SB242 HB700	SB243 XM148	SB244 HS116	SB248 FDF	SB251 SC-700
10			11		
SB253 2BP	SB285 XY1030	SB290 MX11352	SB292 XY123A	SB293 HS-15	SB294 210B
12			13		
SB296 BV5275	SB299 ZY07302	SB402 ZCT-Q	SB407 GL15393	SB408 XY09351	SB411 TYPE-ME
14			15		
SB426 YSVZ5210	SB427 YSVF3130	SB432 XY123B	SB442 3130E	SB443 PK1134	SB444 3130F
16			17		
SB451 CNOMO-30	SB452 XY09303	SB461 CY123	SB466 QY23D	SB468 TM30	SB469 TM35

■ 热塑性塑封类/Thermoplastic ---18-33

18			19		
SB475 XY148	SB480 XY10303	SB480M XY10303M	SB485 MP08292	SB486 GEM13403	SB490 RE-210F
20			21		
SB498 T50	SB503 BG1033-1	SB504 XY12292X	SB507 BN11262	SB513 XY16492	SB520 BN13353
22			23		
SB525 08210X	SB531 TH12363	SB533 WY08422X	SB535 TM25	SB538 XY15453	SB539 MQP107
24			25		
SB541 MQP109	SB546 XY15402X	SB550 XY12352X	SB552 STR-4	SB561 4V110-G	SB564 PK13422X
26			27		
SB565 XC09312	SB567 HD11463	SB569 TH17413	SB570 TH17583	SB572 4V110-15	SB587 HD15583
28			29		
SB597 XY16423	SB600 WL50-DCF-020	SB704 XY10332	SB706 ZY06382	SB709 DA21M	SB712 AM210
30			31		
SB722 SL13372	SB724 XY16412	SB726 XY11472	SB727 XY11452X	SB728 BDF-1	SB729 HC15402
32			33		
SB736 SK110	SB737 0121	SB738 XY11472B	SB739 GEM13403B	SB741 XY16412B	SB742 XY09301X

热塑性塑封类/Thermoplastic

---34-49

 SB745 BDF-5A	 SB746 BDF-6A	 SB747 BDF-12A	 SB748 VMG55	 SB749 XY13182	 SB750 XY16372
 SB751 XY16503	 SB754 XY210-10	 SB755 XY14402	 SB757 PK13422W	 SB758 RV13403	 SB765 JK001
 SB768 XY14442	 SB769 XY14432	 SB770 XP13	 SB778 JD01	 SB779 XY09272X	 SB780 XY08302
 SB781 KDF-8A	 SB791 XY12362	 SB796 HT09252B	 SB799 ZB14	 SB813 HT09252C	 SB814 BN14362
 SB818 DC10313	 SB819 IN50	 SB820 DB13403	 SB825 XY16412C	 SB826 SL13372B	 SB836 STR-5
 SB837 XY16412D	 SB839 CS13392-2	 SB842 LV13392	 SB843 XY11402X	 SB846 VMG45	 SB847 XY11482
 SB848 XY13372-A	 SB852 HB700-10	 SB853 XY14512X	 SB854 4108	 SB857 BDF-14	 SB858 KDF-18
 SB859 XY09272	 SB860 XY09273	 SB861 XY21462	 SB862 XY10322	 SB866 XY16402	 SB868 XY17352

热塑性塑封类/Thermoplastic

---50-62

 SB869 HY-D	 SB873 XY13503	 SB874 XY18402	 SB875 XY18401X	 SB879 XY21461X	 SB883 XY13413
 SB884 XY13412X	 SB887 XY16372B	 SB890 XY13402Q	 SB892 XY11472C	 SB894 SL13372C	 SB895 XY13505-B
 SB902 XY15453-B	 SB904 XY11472D	 SB905 XY15322	 SB910 XY11482B	 SB911 XY14322	 SB912 XY13393
 SB913 CNOMO-X	 SB915 WABC01	 SB918 WABC002	 SB920 XH210	 SB922 RB200	 SB925 JY1030
 SB928 M4060	 SB929 M4050	 SB933 XY18402-A	 SB934 XY18402X	 SB935 SL13372D	 SB936 DA21M-291
 SB938 XY14382	 SB947 JF14592	 SB948 3130-1X	 SB949 XY13402	 SB954 XYGJ04	 SB957 210Z-3X
 SB958 XY5P13-B	 SB960 WABC004				

■ 热固性塑封类/Thermosetting

---63-78

 SB043 DHF	 SB050 0200	 SB054 AB310	 SB055 AB410A	 SB069 ZQ-B	 SB084 K23D-2H
 SB086 BD-A-03	 SB089 AN1024	 SB254 A044	 SB255 A051	 SB256 0543	 SB257 0545
 SB258 PF2-L	 SB260 AB510	 SB278 16431	 SB291 BD12483	 SB298 XY20553	 SB401 MP-C-011
 SB428 0210B	 SB440 XY09302	 SB474 16433	 SB495 HN16393	 SB508 RA-A	 SB516 210D-10
 SB547 0200D	 SB548 SHY13402X	 SB558 XY20551	 SB559 XY1005	 SB568 0545EX	 SB578 AU4V110
 SB578F AU4V110X	 SB579 AU4V210	 SB579F AU4V210X	 SB582 GSR0545	 SB583 3130H	 SB590 KR-3-2
 SB591 0307	 SB710 0545-15	 SB711 V2A-021	 SB713 K23D-3H	 SB717 XY09303-G	 SB721 TK14332
 SB730 RA-D	 SB732 XY20432	 SB734 V2A-031	 SB735 0210C	 SB740 210D-8	 SB762 HT17

■ 热固性塑封类/Thermosetting

---79-89

 SB763 HT19	 SB766 XY18392X	 SB767 XY3506	 SB771 XY11403	 SB788 3130J	 SB789 XY15302
 SB790 ABS3550	 SB792 XY20623	 SB797 XY20621	 SB798 20553EX	 SB800 539435	 SB801 539436
 SB817 QVT305X	 SB822 CS3A	 SB823 HS3Y	 SB824 HS3G	 SB831 HS4Y	 SB832 HS4G
 SB833 CS4A	 SB867 QVT306	 SB870 K54	 SB878 0210D	 SB880 HY-A-RG	 SB896 HS15583-D
 SB899 TX15422	 SB908 BD-D-2	 SB917 HT0200	 SB937 JY1030-RG	 SB943 210D-8B	 SB951 JF13402X
 SB959 DHF-B					

■ 非塑封类/No Encapsulation

--- 90-93

 SB046 801-T1.2	 SB059 UD-8	 SB060 UD-15	 SB061 Q23XD-3	 SB062 US	 SB063 KSD(1.18)
 SB064 Q23XD-2	 SB065 Q23JD-1.5	 SB094 Q23XD-2A	 SB270 BD-C	 SB409 DF-2-A	 SB413 JT1162902

■ 非塑封类/No Encapsulation

--- 94-97



■ 液压类/Hydraulic

--- 98-107



■ 液压类/Hydraulic

--- 108-119



■ 特种类/Special Type

--- 119-122



■ 防爆类/Ex-proof

---123-126



■ 接线盒/Connectors

--- 127-134



■ 电子定时器/Digital electronic timers

---135-136



■ 双功率节能模块/Electricity economizer

---137



■ 电磁组件/Aramture Sets

---138-147



电磁阀/Solenoid Valve

---148-165

 RMF22-SS	 RMF23-SS	 SB157	 SB156	 RG-15	 SB172
 F17	 ESD-22	 ESD-21	 SB114	 DL-6A	 DL-6B
 DL-6K	 WP-1	 SB440	 CS-3800	 CS-720	 CS-11
 SB115	 SB115		 部联合设计防爆阀	 引进型防爆阀	 二位二通防爆阀
 HX-3	 HX-2	 23JVD.0201	 K23D-1.2	 K23D-2	 K23D-3
 XY-15	 XY-15B	 XY-15C	 XY-10-8T微型电磁阀岛		
			 XY-15C-8T微型电磁阀岛		
 SB337 XY-10S	 SB338 XY-10A	 Q23XD-2	 2W	 SB116	

脉冲控制仪/Pulse signal controller

---166-167

 PIC-20X	 PIC-64	 RMY-8	 RMY-64
--	---	--	---

使用注意事项：

在您使用本公司产品前，为了预防对人体的伤害和对财产、设备的损坏，请仔细阅读此说明。

- 1、使用本公司产品前，必须明白使用条件及充分了解设计、安装、使用的程序及必要的安全条件。
- 2、请按产品说明的使用范围使用，若用于煤气、油田等易爆环境，或用于高温、高湿，有腐蚀性气体环境下，请选用适合的特种产品。
- 3、请正确选配产品，做到功率匹配、电压匹配，性能匹配，以保护产品的长期正常使用。
- 4、请正确安装产品，特别是橡胶件的连接、密封，只有正确安装后才能保护产品的可靠使用

Pay attention to:

To avoid unnecessary damage and destroy of machine and equipment, pls. Read this carefully:

1. Before you assemble the product, you should know its working condition and necessary protection procedures.
2. Pls. Use the product according to appliance instruction, especially when you use it for gas, or petrol which is easy to explode, and use it in the condition with high temp or high humidity or corrosive, you should choose suitable items.
3. It is important to choose suitable items, right power, right voltage, right specification is the premise of long life of products.
4. Pls. Assemble it correctly, especially seal, connection, it is the condition of nice function of products.

说明

我公司生产的电磁线圈专门为气动、液压电器行业而设计，吸收了德、美、意、英等国外多家电磁线圈制造厂的先进理念，结合国内实际，开发出一系列有代表性的产品。已为国内外多家著名气动、液压企业配套供应。
注：本册为本公司具有代表性之简明说明，未列出全部产品，详情敬请垂询。

Our solenoid coils are widely used in pneumatic, hydraulic & electrical equipment. We adopt high technology from Germany, USA, IATLY & UK. We have developed many models during all these years. Many of these are offered to well-known valve manufacturers in the world.
Remark: we have more models than those collected in this catalog.

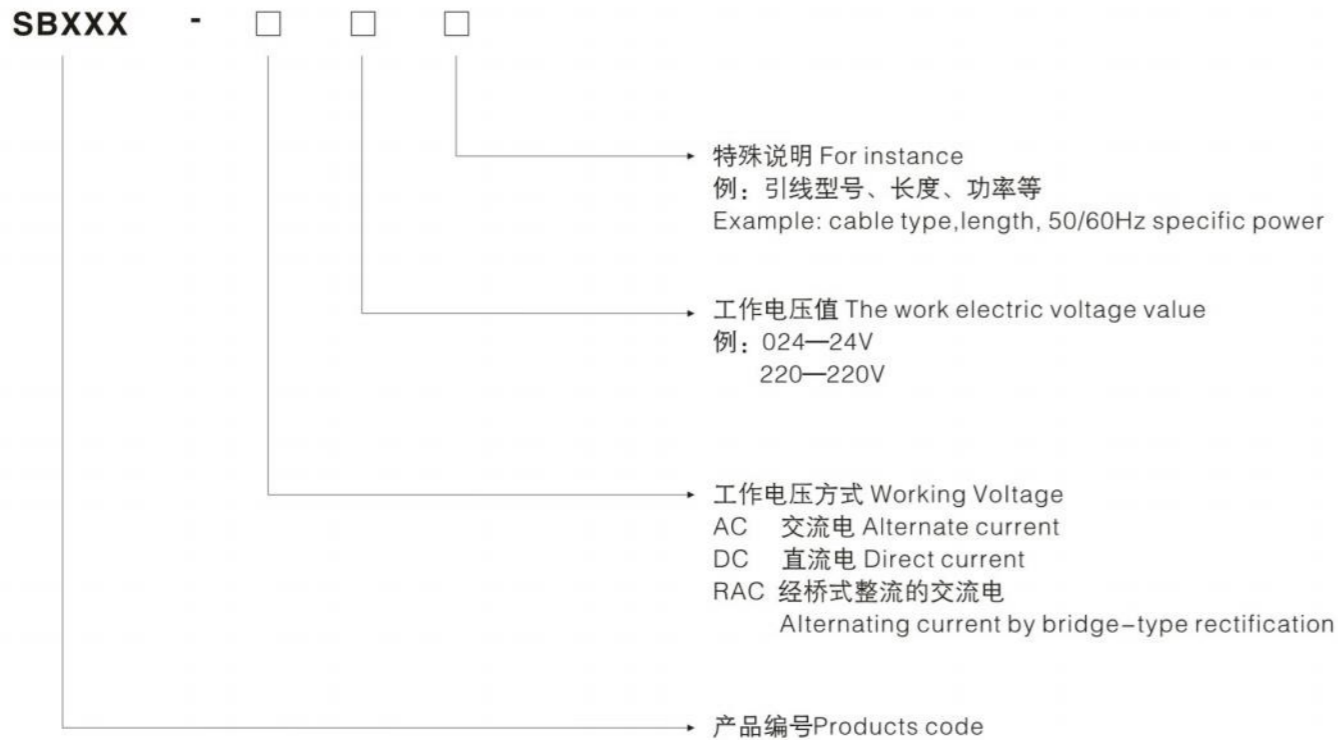
产品特点 Product characteristic

- 1、采用通过UL认证的高品质漆包线。
- 2、采用低碳高导磁钢作为导磁材料。
- 3、定点特制的PA66.PBT.PPS.BMC等包覆材料，确保产品质量。
- 4、电磁线圈的绝缘等级达180级(H)、200级(N)、220级(R)。
- 5、电磁线圈的防护等级达IP65.IP67及IP69K。
- 6、另有煤矿、油田等防爆性环境使用的防爆电磁线圈，水下用的防水电磁线圈等特种系列供您选择。
- 7、如您有特殊的要求，请与我们联系。

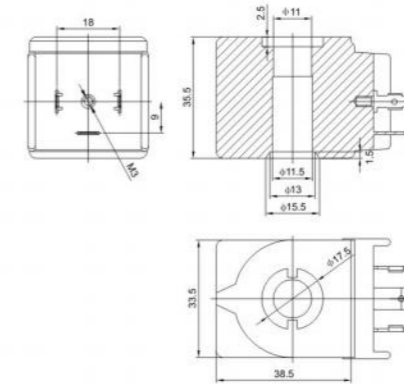
Using high quality wire which has UL approved.

- 2 Using high quality permeability magnetic material which contain low carbon
- 3 Using high quality housing material like PA66, PBT, PPS, BMC and so on.
- 4 Insulation class can be 180 (H)、200 (N)、220(R).
- 5 Protection class can be IP65, IP67 & IP69K.
- 6 We also offer special coils like ex-proof coils, water proof coils and so on.
- 7 If you have special requirement, pls. feel free to contact us.

编号说明及定货方式 The serial number elucidation & Order the way

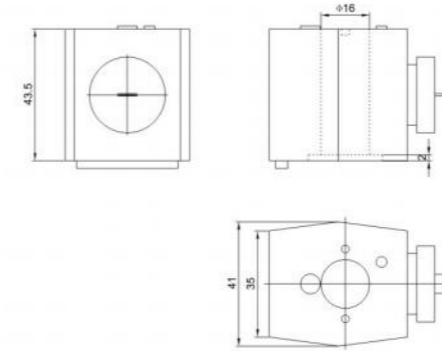


产品编号/Product No.SB040 外观图/Overall Dimension
产品型号/Product Type HY-A



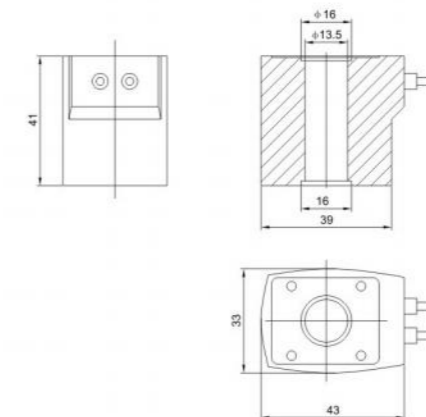
常规电压 Normal Voltage	AC220V AC110V DC24V DC12V	
常规功率 Normal Power	AC	8VA
	DC	10W
其他特种电压、特种功率可定做 Other voltage and power can be customized		
绝缘等级 Insulation Class	F、H、N	
线圈连接方式 Connection Type	DIN43650A	

产品编号/Product No.SB041 外观图/Overall Dimension
产品型号/Product Type STR-2



常规电压 Normal Voltage	DC24V DC12V	
常规功率 Normal Power	AC	
	DC	8.5W
其他特种电压、特种功率可定做 Other voltage and power can be customized		
绝缘等级 Insulation Class	B、F	
线圈连接方式 Connection Type	支架接地 Metal Frame Connect To Earth	

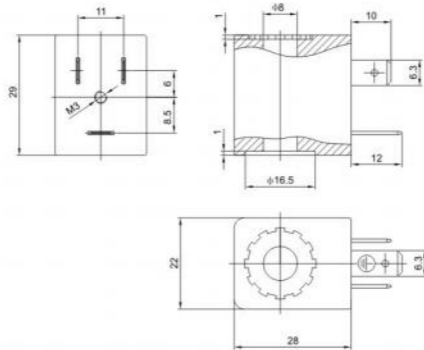
产品编号/Product No.SB051 外观图/Overall Dimension
产品型号/Product Type 0200B



常规电压 Normal Voltage	AC220V AC110V DC24V DC12V	
常规功率 Normal Power	AC	9VA
	DC	11W 15W 17W
其他特种电压、特种功率可定做 Other voltage and power can be customized		
绝缘等级 Insulation Class	F、H、N	
线圈连接方式 Connection Type	引线式 With Flying Leads	

产品编号/Product No.SB052
产品型号/Product Type 08210

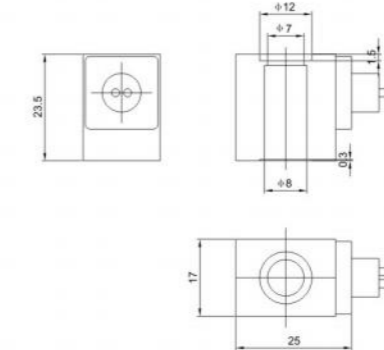
外观图/Overall Dimension



常规电压 Normal Voltage	AC220V AC110V DC24V	
常规功率 Normal Power	AC	6.5VA
	DC	3W 5.5W 6W
其他特种电压、特种功率可定做 Other voltage and power can be customized		
绝缘等级 Insulation Class	B、F、H	
线圈连接方式 Connection Type	DIN43650B	

产品编号/Product No.SB071
产品型号/Product Type 110A

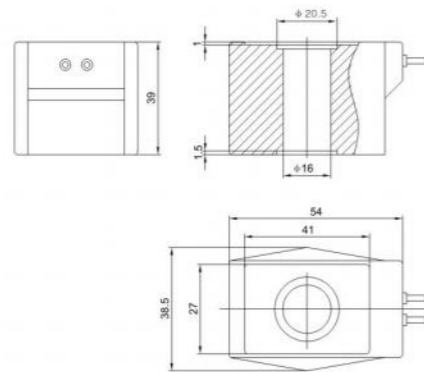
外观图/Overall Dimension



常规电压 Normal Voltage	AC220V AC110V DC24V DC12V	
常规功率 Normal Power	AC	5VA
	DC	2.8W 3.5W
其他特种电压、特种功率可定做 Other voltage and power can be customized		
绝缘等级 Insulation Class	B、F	
线圈连接方式 Connection Type	引线式 With Flying Leads	

产品编号/Product No.SB056
产品型号/Product Type AB410B

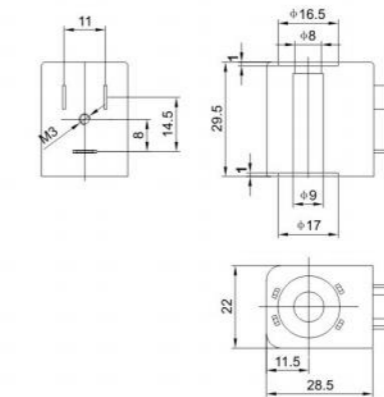
外观图/Overall Dimension



常规电压 Normal Voltage	AC220V AC110V DC24V DC24V	
常规功率 Normal Power	AC	26VA
	DC	19W
其他特种电压、特种功率可定做 Other voltage and power can be customized		
绝缘等级 Insulation Class	H	
线圈连接方式 Connection Type	引线式 With Flying Leads	

产品编号/Product No.SB075
产品型号/Product Type 210A

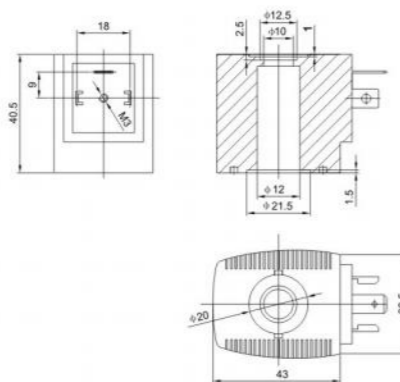
外观图/Overall Dimension



常规电压 Normal Voltage	AC220V AC110V DC24V DC12V	
常规功率 Normal Power	AC	4VA~5.5V 6VA~8.5VA
	DC	3W~4.8W 6.5W~8W
其他特种电压、特种功率可定做 Other voltage and power can be customized		
绝缘等级 Insulation Class	B、F、H	
线圈连接方式 Connection Type	DIN43650B	

产品编号/Product No.SB057
产品型号/Product Type BD-A

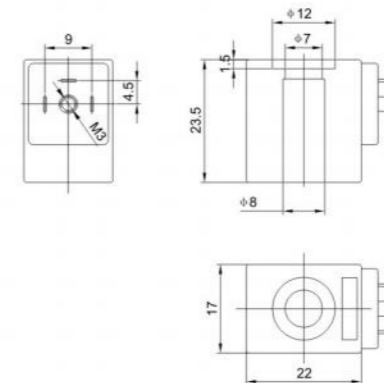
外观图/Overall Dimension



常规电压 Normal Voltage	AC220V AC110V DC24V DC12V	
常规功率 Normal Power	AC	16VA
	DC	15W
其他特种电压、特种功率可定做 Other voltage and power can be customized		
绝缘等级 Insulation Class	B、F、H	
线圈连接方式 Connection Type	DIN43650A	

产品编号/Product No.SB077
产品型号/Product Type 4V110

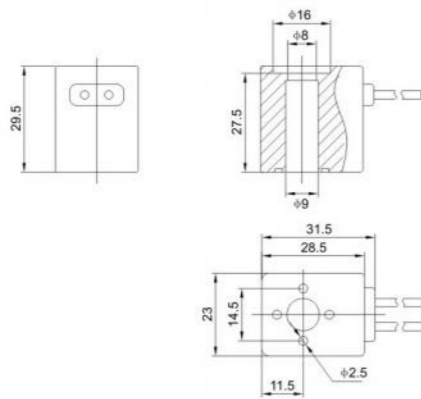
外观图/Overall Dimension



常规电压 Normal Voltage	AC220V AC110V DC24V DC12V	
常规功率 Normal Power	AC	3VA 5VA
	DC	1.5W 2.5W 2.8W
其他特种电压、特种功率可定做 Other voltage and power can be customized		
绝缘等级 Insulation Class	B、F、H	
线圈连接方式 Connection Type	DIN43650C	

产品编号/Product No.SB079
产品型号/Product Type 3130C

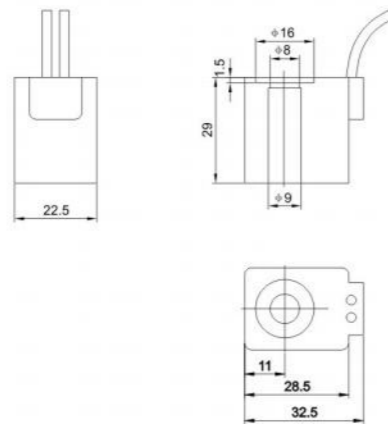
外观图/Overall Dimension



常规电压 Normal Voltage	AC220V AC110V DC24V DC12V	
常规功率 Normal Power	AC	4VA 5.5VA 6VA 8.5VA
	DC	3W 4.8W 6W 8W
其他特种电压、特种功率可定做 Other voltage and power can be customized		
绝缘等级 Insulation Class	B、F	
线圈连接方式 Connection Type	引线式 With Flying Leads	

产品编号/Product No.SB080
产品型号/Product Type 3130D

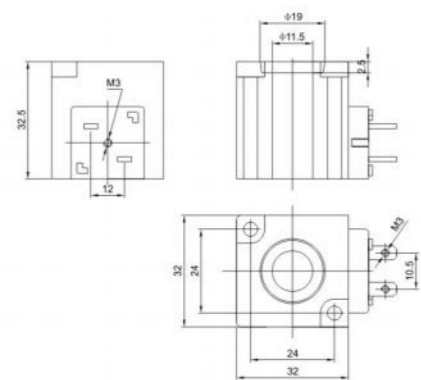
外观图/Overall Dimension



常规电压 Normal Voltage	AC220V AC110V DC24V	
常规功率 Normal Power	AC	4VA 8.5VA
	DC	3W 4.8W 6W
其他特种电压、特种功率可定做 Other voltage and power can be customized		
绝缘等级 Insulation Class	B、F	
线圈连接方式 Connection Type	引线式 With Flying Leads	

产品编号/Product No.SB082
产品型号/Product Type K23D-1.2

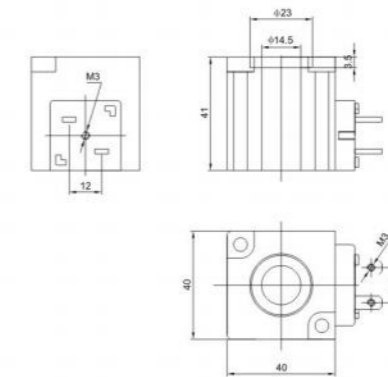
外观图/Overall Dimension



常规电压 Normal Voltage	AC220V AC110V DC24V DC12V	
常规功率 Normal Power	AC	10VA
	DC	7W 12W
其他特种电压、特种功率可定做 Other voltage and power can be customized		
绝缘等级 Insulation Class	B、F	
线圈连接方式 Connection Type	DIN4.8	

产品编号/Product No.SB083
产品型号/Product Type K23D-2

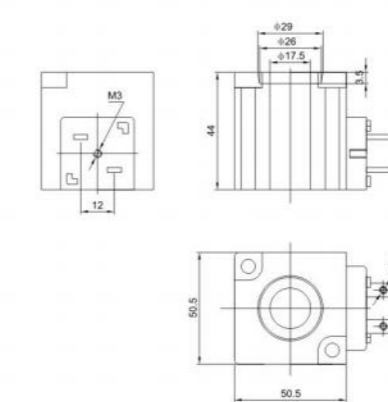
外观图/Overall Dimension



常规电压 Normal Voltage	AC220V AC110V DC24V DC12V	
常规功率 Normal Power	AC	20VA
	DC	13W
其他特种电压、特种功率可定做 Other voltage and power can be customized		
绝缘等级 Insulation Class	B、F	
线圈连接方式 Connection Type	DIN4.8	

产品编号/Product No.SB085
产品型号/Product Type K23D-3

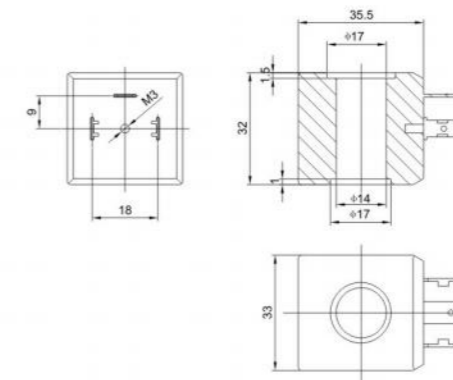
外观图/Overall Dimension



常规电压 Normal Voltage	AC220V AC110V DC24V DC12V	
常规功率 Normal Power	AC	22VA
	DC	12W
其他特种电压、特种功率可定做 Other voltage and power can be customized		
绝缘等级 Insulation Class	B、F、H	
线圈连接方式 Connection Type	DIN4.8	

产品编号/Product No.SB090
产品型号/Product Type BU-08

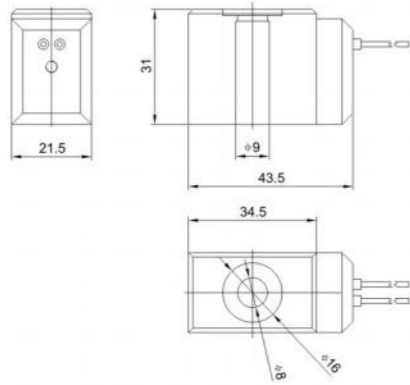
外观图/Overall Dimension



常规电压 Normal Voltage	AC220V DC24V	
常规功率 Normal Power	AC	13VA
	DC	10W
其他特种电压、特种功率可定做 Other voltage and power can be customized		
绝缘等级 Insulation Class	F、H	
线圈连接方式 Connection Type	DIN43650A	

产品编号/Product No.SB091
产品型号/Product Type 3130G

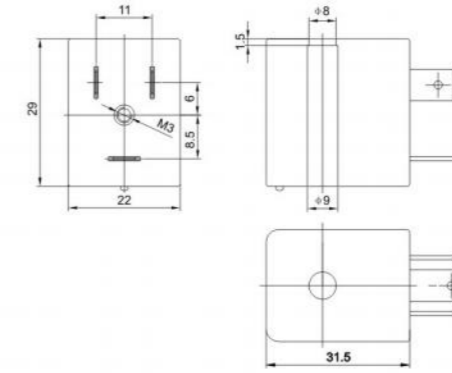
外观图/Overall Dimension



常规电压 Normal Voltage	AC220V DC24V	
常规功率 Normal Power	AC	5.5VA
	DC	4.8W
其他特种电压、特种功率可定做 Other voltage and power can be customized		
绝缘等级 Insulation Class	B、F、H	
线圈连接方式 Connection Type	引线式 With Flying Leads	

产品编号/Product No.SB241
产品型号/Product Type NB09

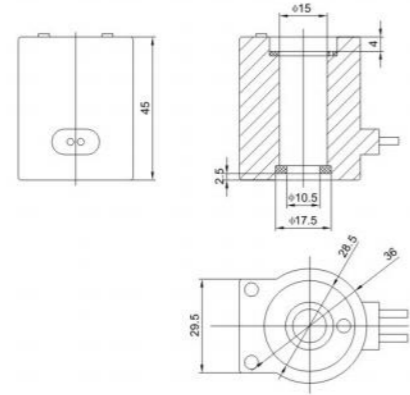
外观图/Overall Dimension



常规电压 Normal Voltage	AC220V DC24V	
常规功率 Normal Power	AC	7VA
	DC	2W 3W 9W
其他特种电压、特种功率可定做 Other voltage and power can be customized		
绝缘等级 Insulation Class	F、H	
线圈连接方式 Connection Type	DIN43650B	

产品编号/Product No.SB095
产品型号/Product Type 2BP-A

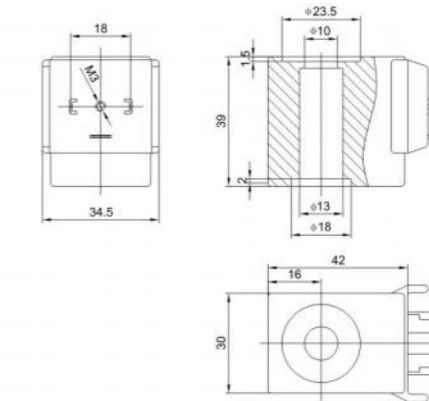
外观图/Overall Dimension



常规电压 Normal Voltage	DC24V DC12V	
常规功率 Normal Power	AC	
	DC	16.5W
其他特种电压、特种功率可定做 Other voltage and power can be customized		
绝缘等级 Insulation Class	B、F	
线圈连接方式 Connection Type	引线式 With Flying Leads	

产品编号/Product No.SB242
产品型号/Product Type HB700

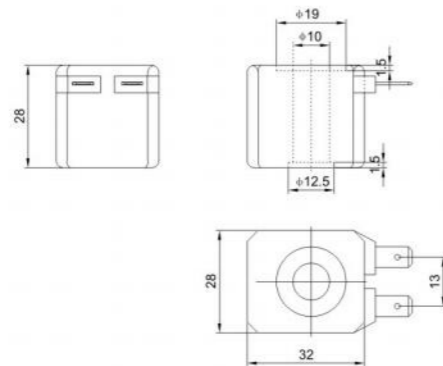
外观图/Overall Dimension



常规电压 Normal Voltage	AC220V AC110V DC24V DC12V	
常规功率 Normal Power	AC	15VA
	DC	10W
其他特种电压、特种功率可定做 Other voltage and power can be customized		
绝缘等级 Insulation Class	H、N	
线圈连接方式 Connection Type	DIN43650A	

产品编号/Product No.SB240
产品型号/Product Type KFF-1

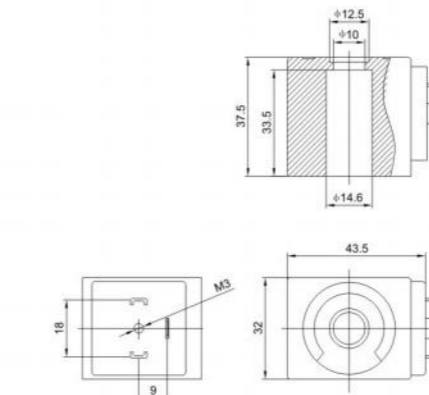
外观图/Overall Dimension



常规电压 Normal Voltage	AC220V AC110V DC24V DC12V	
常规功率 Normal Power	AC	13VA
	DC	11W
其他特种电压、特种功率可定做 Other voltage and power can be customized		
绝缘等级 Insulation Class	F、H	
线圈连接方式 Connection Type	6.3×0.8mm	

产品编号/Product No.SB243
产品型号/Product Type XM148

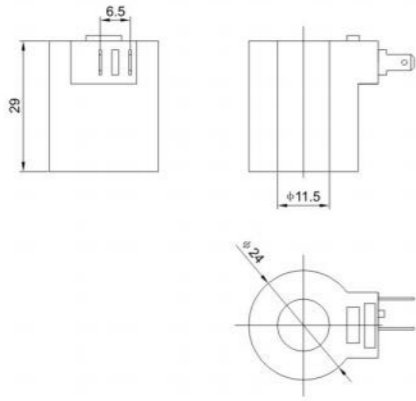
外观图/Overall Dimension



常规电压 Normal Voltage	AC220V DC24V	
常规功率 Normal Power	AC	18VA
	DC	14W
其他特种电压、特种功率可定做 Other voltage and power can be customized		
绝缘等级 Insulation Class	F、H	
线圈连接方式 Connection Type	DIN43650A	

产品编号/Product No.SB244
产品型号/Product Type HS116

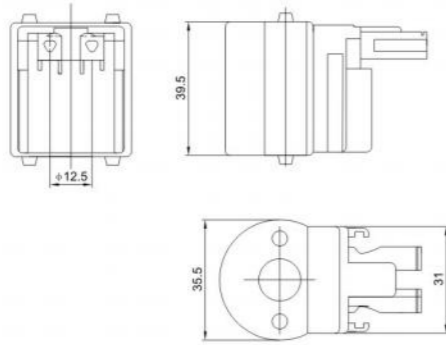
外观图/Overall Dimension



常规电压 Normal Voltage	AC36V AC24V DC24V	
常规功率 Normal Power	AC	8VA
	DC	6W
其他特种电压、特种功率可定做 Other voltage and power can be customized		
绝缘等级 Insulation Class	B、F、H	
线圈连接方式 Connection Type	6.3×0.8mm	

产品编号/Product No.SB248
产品型号/Product Type FDF

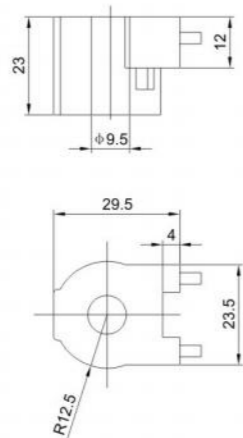
外观图/Overall Dimension



常规电压 Normal Voltage	RAC220V RAC110V DC24V	
常规功率 Normal Power	AC	
	DC	5W
其他特种电压、特种功率可定做 Other voltage and power can be customized		
绝缘等级 Insulation Class	F、H	
线圈连接方式 Connection Type	6.3×0.8mm	

产品编号/Product No.SB251
产品型号/Product Type SC-700

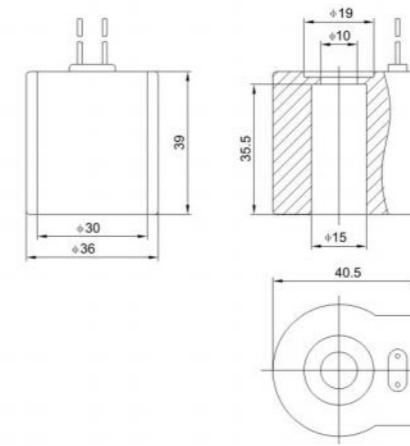
外观图/Overall Dimension



常规电压 Normal Voltage	AC220V AC110V DC24V DC12V	
常规功率 Normal Power	AC	5VA
	DC	6W
其他特种电压、特种功率可定做 Other voltage and power can be customized		
绝缘等级 Insulation Class	F、H	
线圈连接方式 Connection Type	引线式 With Flying Leads	

产品编号/Product No.SB253
产品型号/Product Type 2BP

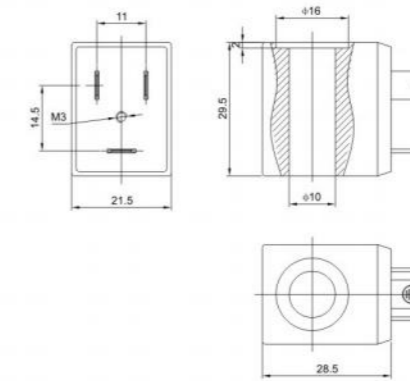
外观图/Overall Dimension



常规电压 Normal Voltage	AC220V AC110V DC24V	
常规功率 Normal Power	AC	10VA
	DC	9W
其他特种电压、特种功率可定做 Other voltage and power can be customized		
绝缘等级 Insulation Class	B、F	
线圈连接方式 Connection Type	引线式 With Flying Leads	

产品编号/Product No.SB285
产品型号/Product Type XY1030

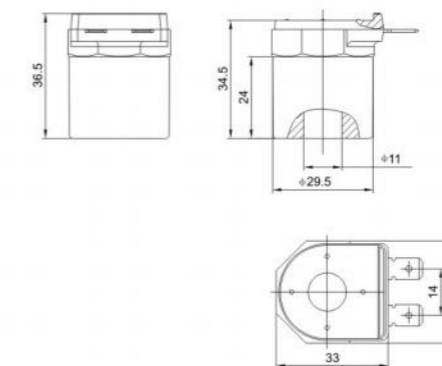
外观图/Overall Dimension



常规电压 Normal Voltage	AC220V AC110V AC24V DC24V DC12V	
常规功率 Normal Power	AC	4VA 5.5VA 8.5VA 20VA
	DC	3W 4.8W 6W
其他特种电压、特种功率可定做 Other voltage and power can be customized		
绝缘等级 Insulation Class	F、H	
线圈连接方式 Connection Type	DIN43650B	

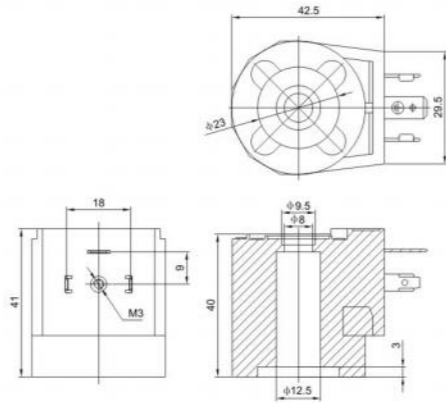
产品编号/Product No.SB290
产品型号/Product Type MX11352

外观图/Overall Dimension



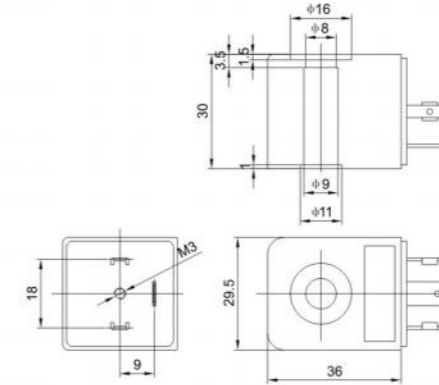
常规电压 Normal Voltage	AC220V AC110V DC24V DC12V	
常规功率 Normal Power	AC	18VA
	DC	10W
其他特种电压、特种功率可定做 Other voltage and power can be customized		
绝缘等级 Insulation Class	F、H	
线圈连接方式 Connection Type	6.3×0.8mm	

产品编号/Product No.SB292 外观图/Overall Dimension
产品型号/Product Type XY123A



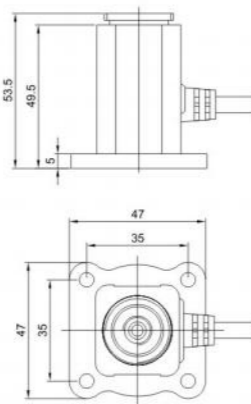
常规电压 Normal Voltage	AC220V AC110V DC24V DC12V	
常规功率 Normal Power	AC	25VA
	DC	20W
其他特种电压、特种功率可定做 Other voltage and power can be customized		
绝缘等级 Insulation Class	F、H	
线圈连接方式 Connection Type	DIN43650A	

产品编号/Product No.SB296 外观图/Overall Dimension
产品型号/Product Type BV5275



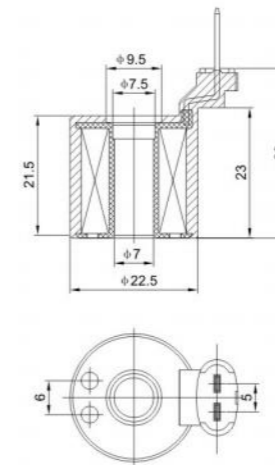
常规电压 Normal Voltage	AC220V AC110V DC24V DC12V	
常规功率 Normal Power	AC	5VA
	DC	6W
其他特种电压、特种功率可定做 Other voltage and power can be customized		
绝缘等级 Insulation Class	F、H	
线圈连接方式 Connection Type	DIN43650A	

产品编号/Product No.SB293 外观图/Overall Dimension
产品型号/Product Type HS-15



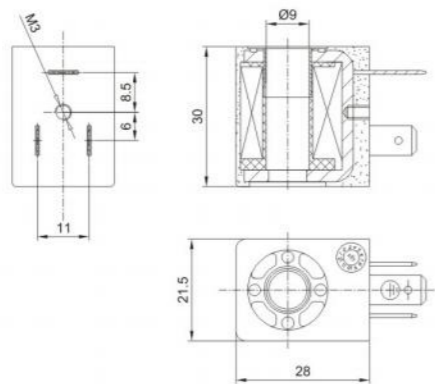
常规电压 Normal Voltage	RA220V DC6V	
常规功率 Normal Power	AC	6W
	DC	5W
其他特种电压、特种功率可定做 Other voltage and power can be customized		
绝缘等级 Insulation Class	F	
线圈连接方式 Connection Type	电缆式 Connector Type Cable	

产品编号/Product No.SB299 外观图/Overall Dimension
产品型号/Product Type ZY07302



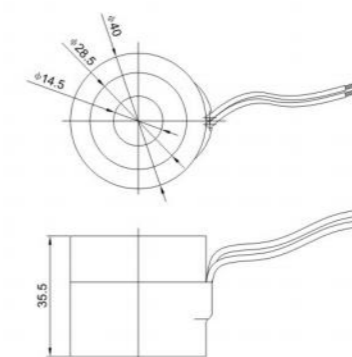
常规电压 Normal Voltage	DC12V	
常规功率 Normal Power	AC	
	DC	DC:5W
其他特种电压、特种功率可定做 Other voltage and power can be customized		
绝缘等级 Insulation Class	B、F	
线圈连接方式 Connection Type	插脚式 Pin Type	

产品编号/Product No.SB294 外观图/Overall Dimension
产品型号/Product Type 210B



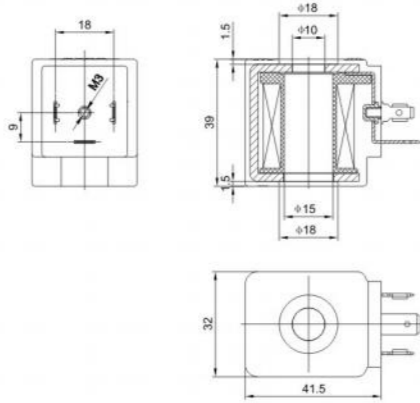
常规电压 Normal Voltage	AC220V AC110V DC24V DC12V	
常规功率 Normal Power	AC	6VA
	DC	2.7W 4.8W
其他特种电压、特种功率可定做 Other voltage and power can be customized		
绝缘等级 Insulation Class	F、H	
线圈连接方式 Connection Type	DIN43650B	

产品编号/Product No.SB402 外观图/Overall Dimension
产品型号/Product Type ZCT-Q



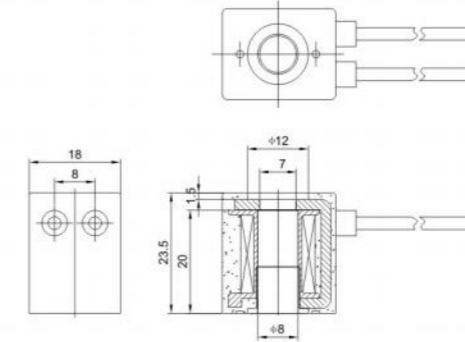
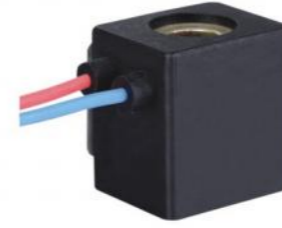
常规电压 Normal Voltage	AC220V AC110V DC24V DC12V	
常规功率 Normal Power	AC	22VA
	DC	13W
其他特种电压、特种功率可定做 Other voltage and power can be customized		
绝缘等级 Insulation Class	H	
线圈连接方式 Connection Type	引线式 With Flying Leads	

产品编号/Product No.SB407 外观图/Overall Dimension
产品型号/Product Type GL15393



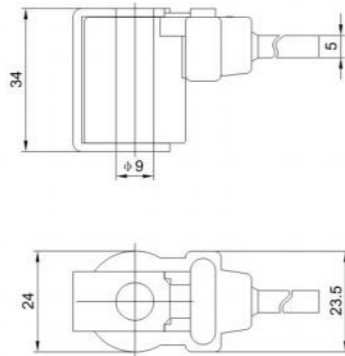
常规电压 Normal Voltage	AC220V AC110V DC24V DC12V	
常规功率 Normal Power	AC	19VA
	DC	14W 17W
其他特种电压、特种功率可定做 Other voltage and power can be customized		
绝缘等级 Insulation Class	H	
线圈连接方式 Connection Type	DIN43650A	

产品编号/Product No.SB426 外观图/Overall Dimension
产品型号/Product Type YSVZ5210



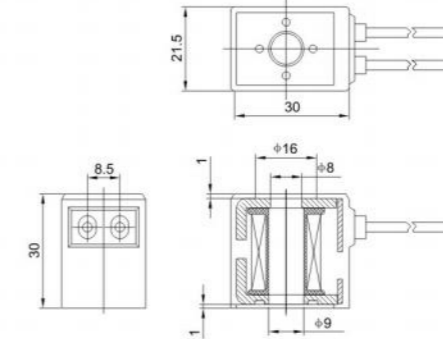
常规电压 Normal Voltage	AC220V AC110V DC24V DC12V	
常规功率 Normal Power	AC	5VA
	DC	2.5W
其他特种电压、特种功率可定做 Other voltage and power can be customized		
绝缘等级 Insulation Class	F、H	
线圈连接方式 Connection Type	引线式 With Flying Leads	

产品编号/Product No.SB408 外观图/Overall Dimension
产品型号/Product Type XY09351



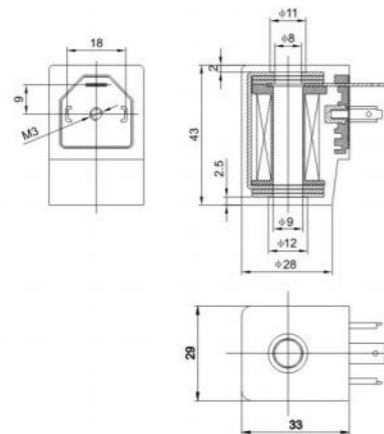
常规电压 Normal Voltage	AC220V	
常规功率 Normal Power	AC	8VA
	DC	
其他特种电压、特种功率可定做 Other voltage and power can be customized		
绝缘等级 Insulation Class	H	
线圈连接方式 Connection Type	电缆式 Connector Type Cable	

产品编号/Product No.SB427 外观图/Overall Dimension
产品型号/Product Type YSVF3130



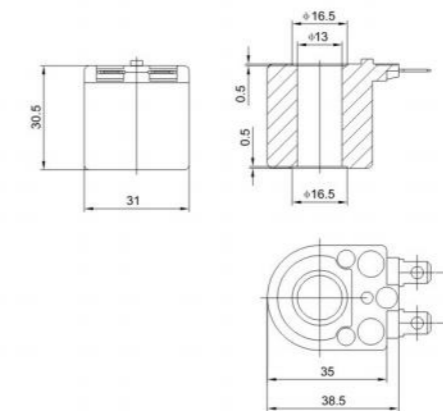
常规电压 Normal Voltage	AC220V AC110V DC24V DC12V	
常规功率 Normal Power	AC	6VA
	DC	3W
其他特种电压、特种功率可定做 Other voltage and power can be customized		
绝缘等级 Insulation Class	F、H	
线圈连接方式 Connection Type	引线式 With Flying Leads	

产品编号/Product No.SB411 外观图/Overall Dimension
产品型号/Product Type TYPE-ME



常规电压 Normal Voltage	RAC220V RAC110V DC24V DC12V	
常规功率 Normal Power	AC	
	DC	2W
其他特种电压、特种功率可定做 Other voltage and power can be customized		
绝缘等级 Insulation Class	H	
线圈连接方式 Connection Type	DIN43650A	

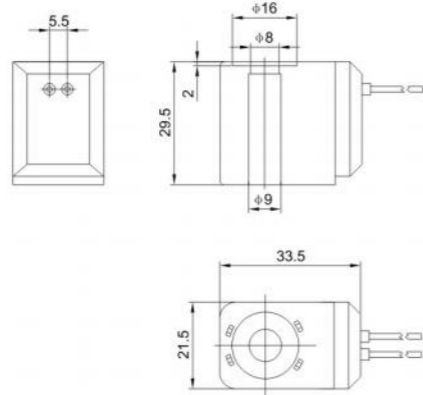
产品编号/Product No.SB432 外观图/Overall Dimension
产品型号/Product Type XY123B



常规电压 Normal Voltage	AC220V AC110V DC24V DC12V	
常规功率 Normal Power	AC	25VA
	DC	19W
其他特种电压、特种功率可定做 Other voltage and power can be customized		
绝缘等级 Insulation Class	F、H	
线圈连接方式 Connection Type	压接式 Screw Connection	

产品编号/Product No.SB442
产品型号/Product Type 3130E

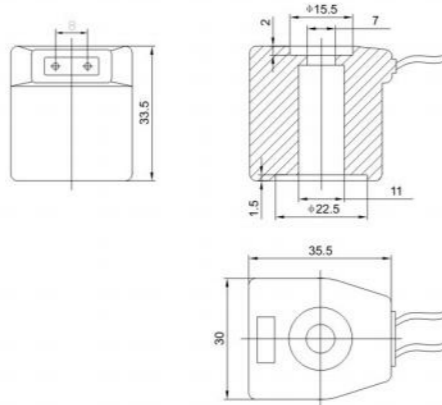
外观图/Overall Dimension



常规电压 Normal Voltage	AC220V AC110V DC24V DC12V	
常规功率 Normal Power	AC	4VA
	DC	3W
其他特种电压、特种功率可定做 Other voltage and power can be customized		
绝缘等级 Insulation Class	F、H	
线圈连接方式 Connection Type	引线式 With Flying Leads	

产品编号/Product No.SB443
产品型号/Product Type PK1134

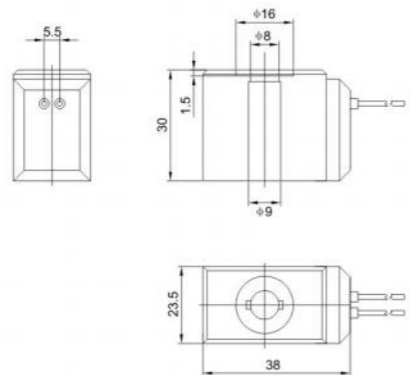
外观图/Overall Dimension



常规电压 Normal Voltage	AC220V AC110V DC24V DC12V	
常规功率 Normal Power	AC	7VA
	DC	5W 7W
其他特种电压、特种功率可定做 Other voltage and power can be customized		
绝缘等级 Insulation Class	B、F	
线圈连接方式 Connection Type	引线式 With Flying Leads	

产品编号/Product No.SB444
产品型号/Product Type 3130F

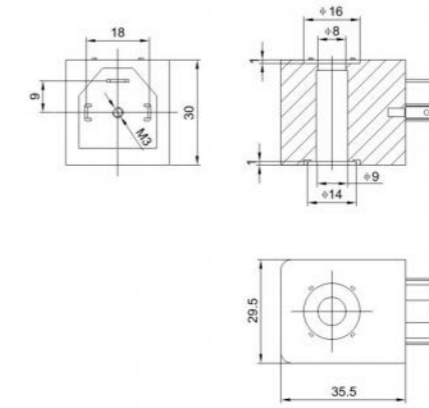
外观图/Overall Dimension



常规电压 Normal Voltage	AC220V AC110V DC24V DC12V	
常规功率 Normal Power	AC	6VA
	DC	4.2W
其他特种电压、特种功率可定做 Other voltage and power can be customized		
绝缘等级 Insulation Class	F、H	
线圈连接方式 Connection Type	引线式 With Flying Leads	

产品编号/Product No.SB451
产品型号/Product Type CNOMO-30

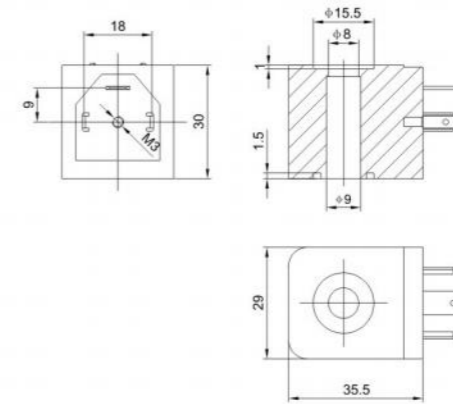
外观图/Overall Dimension



常规电压 Normal Voltage	AC220V AC110V DC24V DC12V	
常规功率 Normal Power	AC	8.5VA
	DC	6W
其他特种电压、特种功率可定做 Other voltage and power can be customized		
绝缘等级 Insulation Class	F、H	
线圈连接方式 Connection Type	DIN43650A	

产品编号/Product No.SB452
产品型号/Product Type XY09303

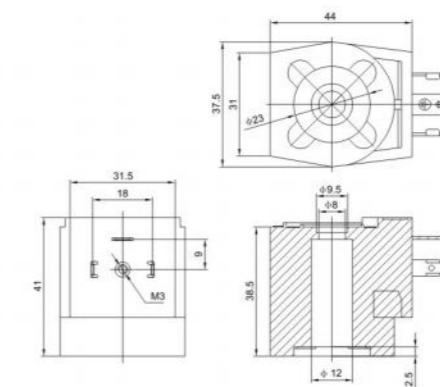
外观图/Overall Dimension



常规电压 Normal Voltage	AC220V AC110V DC24V DC12V	
常规功率 Normal Power	AC	8.5VA 10VA
	DC	6W 7W
其他特种电压、特种功率可定做 Other voltage and power can be customized		
绝缘等级 Insulation Class	F、H	
线圈连接方式 Connection Type	DIN43650A	

产品编号/Product No.SB461
产品型号/Product Type CY123

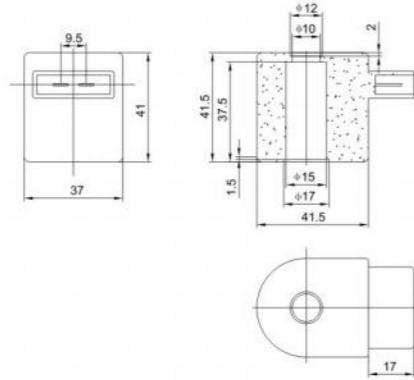
外观图/Overall Dimension



常规电压 Normal Voltage	AC220V AC110V DC24V DC12V	
常规功率 Normal Power	AC	25VA
	DC	20W
其他特种电压、特种功率可定做 Other voltage and power can be customized		
绝缘等级 Insulation Class	F、H	
线圈连接方式 Connection Type	DIN43650A	

产品编号/Product No.SB466
产品型号/Product Type QY23D

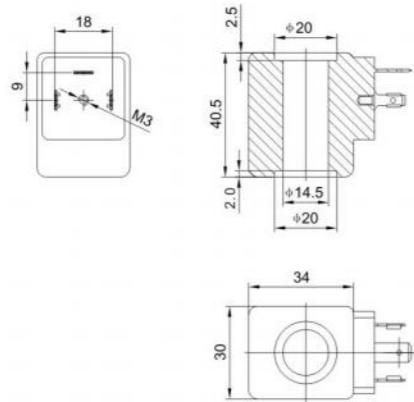
外观图/Overall Dimension



常规电压 Normal Voltage	AC220V DC24V	
常规功率 Normal Power	AC	8VA
	DC	12W
其他特种电压、特种功率可定做 Other voltage and power can be customized		
绝缘等级 Insulation Class	B、F	
线圈连接方式 Connection Type	接插式 Electrical Outlet Style	

产品编号/Product No.SB468
产品型号/Product Type TM30

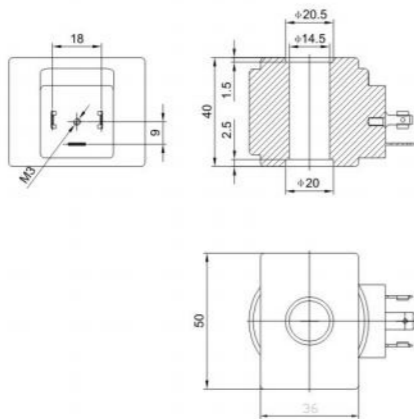
外观图/Overall Dimension



常规电压 Normal Voltage	AC220V AC110V DC24V DC12V	
常规功率 Normal Power	AC	18VA
	DC	10W 13W
其他特种电压、特种功率可定做 Other voltage and power can be customized		
绝缘等级 Insulation Class	F、H	
线圈连接方式 Connection Type	DIN43650A	

产品编号/Product No.SB469
产品型号/Product Type TM35

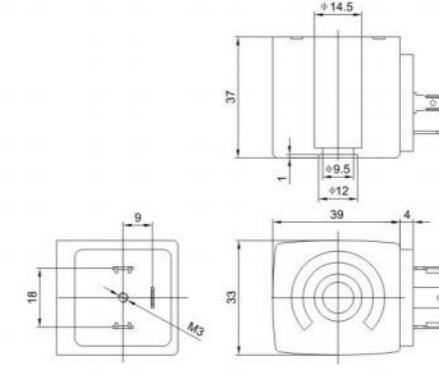
外观图/Overall Dimension



常规电压 Normal Voltage	AC220V AC110V DC24V DC12V	
常规功率 Normal Power	AC	18VA
	DC	14W 17.5W
其他特种电压、特种功率可定做 Other voltage and power can be customized		
绝缘等级 Insulation Class	F、H	
线圈连接方式 Connection Type	DIN43650A	

产品编号/Product No.SB475
产品型号/Product Type XY148

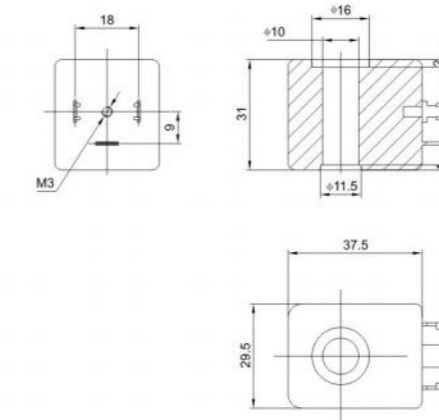
外观图/Overall Dimension



常规电压 Normal Voltage	AC220V AC110V DC24V DC12V	
常规功率 Normal Power	AC	18VA
	DC	14W
其他特种电压、特种功率可定做 Other voltage and power can be customized		
绝缘等级 Insulation Class	F、H	
线圈连接方式 Connection Type	DIN43650A	

产品编号/Product No.SB480
产品型号/Product Type XY10303

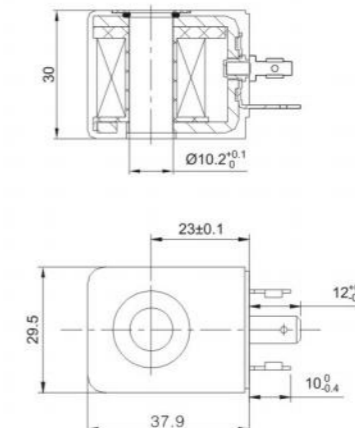
外观图/Overall Dimension



常规电压 Normal Voltage	AC220V AC110V DC24V DC12V	
常规功率 Normal Power	AC	15VA 19VA
	DC	9W 11W 19W
其他特种电压、特种功率可定做 Other voltage and power can be customized		
绝缘等级 Insulation Class	H	
线圈连接方式 Connection Type	DIN43650A	

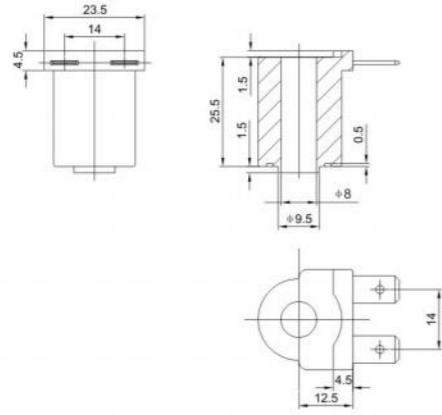
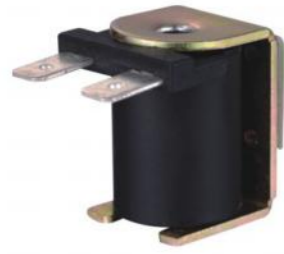
产品编号/Product No.SB480M
产品型号/Product Type XY10303M

外观图/Overall Dimension



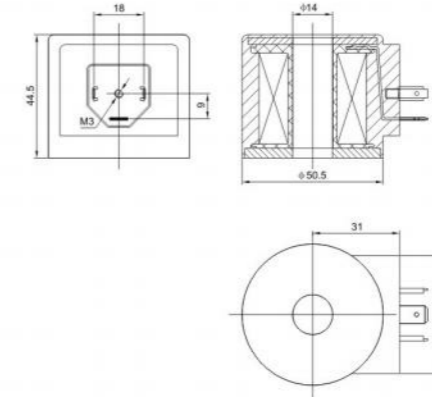
常规电压 Normal Voltage	AC220V AC110V	
常规功率 Normal Power	AC	6VA
	DC	8W 10W
其他特种电压、特种功率可定做 Other voltage and power can be customized		
绝缘等级 Insulation Class	B、F	
线圈连接方式 Connection Type	DIN43650A	

产品编号/Product No.SB485 外观图/Overall Dimension
产品型号/Product Type MP08292



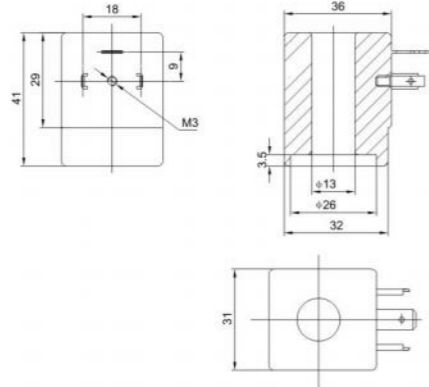
常规电压 Normal Voltage	AC220V AC110V	
常规功率 Normal Power	AC	6VA
	DC	
其他特种电压、特种功率可定做 Other voltage and power can be customized		
绝缘等级 Insulation Class	H	
线圈连接方式 Connection Type	6.3 × 0.8mm	

产品编号/Product No.SB498 外观图/Overall Dimension
产品型号/Product Type T50



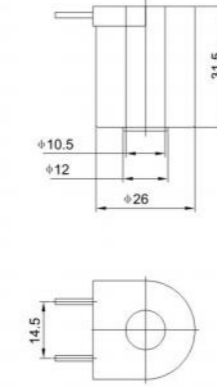
常规电压 Normal Voltage	DC24V	
常规功率 Normal Power	AC	
	DC	5W
其他特种电压、特种功率可定做 Other voltage and power can be customized		
绝缘等级 Insulation Class	H	
线圈连接方式 Connection Type	DIN43650A	

产品编号/Product No.SB486 外观图/Overall Dimension
产品型号/Product Type GEM13403



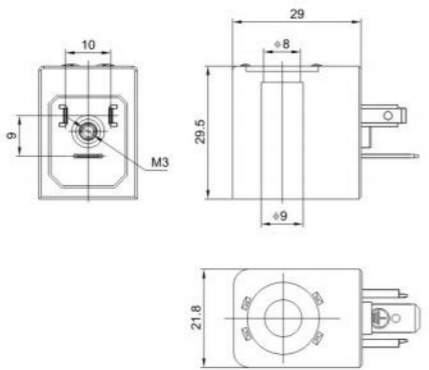
常规电压 Normal Voltage	AC220V AC24V DC24V	
常规功率 Normal Power	AC	18VA
	DC	10W 37W
其他特种电压、特种功率可定做 Other voltage and power can be customized		
绝缘等级 Insulation Class	F、H	
线圈连接方式 Connection Type	DIN43650A	

产品编号/Product No.SB503 外观图/Overall Dimension
产品型号/Product Type BG1033-1



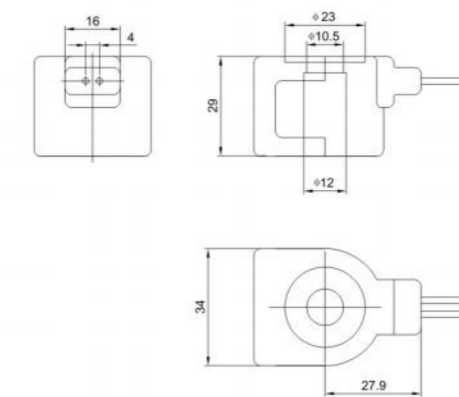
常规电压 Normal Voltage	DC24V DC12V	
常规功率 Normal Power	AC	
	DC	6W 9W
其他特种电压、特种功率可定做 Other voltage and power can be customized		
绝缘等级 Insulation Class	B、F	
线圈连接方式 Connection Type	引线式 With Flying Leads	

产品编号/Product No.SB490 外观图/Overall Dimension
产品型号/Product Type RE-210F



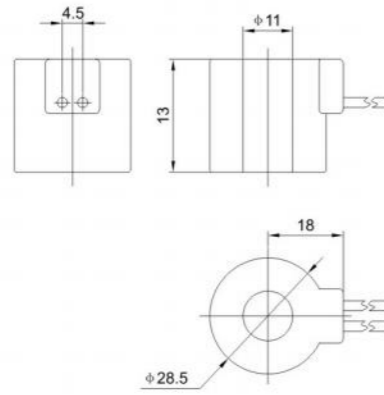
常规电压 Normal Voltage	AC220V DC24V	
常规功率 Normal Power	AC	6VA
	DC	4.5W
其他特种电压、特种功率可定做 Other voltage and power can be customized		
绝缘等级 Insulation Class	F、H	
线圈连接方式 Connection Type	6.3DIN46247	

产品编号/Product No.SB504 外观图/Overall Dimension
产品型号/Product Type XY12292X



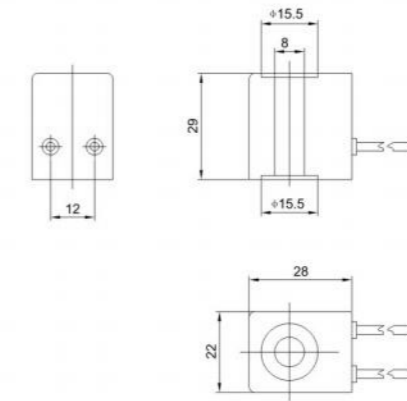
常规电压 Normal Voltage	DC24V DC12V	
常规功率 Normal Power	AC	
	DC	16W
其他特种电压、特种功率可定做 Other voltage and power can be customized		
绝缘等级 Insulation Class	H	
线圈连接方式 Connection Type	引线式 With Flying Leads	

产品编号/Product No.SB507 外观图/Overall Dimension
产品型号/Product Type BN11262



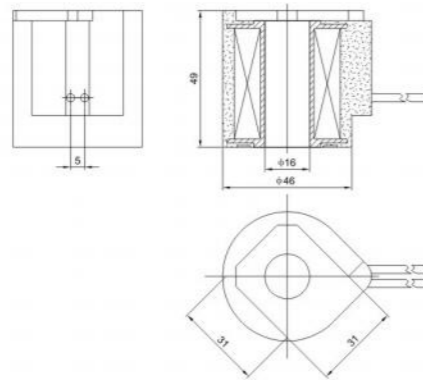
常规电压 Normal Voltage	DC198V DC110V DC24V	
常规功率 Normal Power	AC	
	DC	4W
其他特种电压、特种功率可定做 Other voltage and power can be customized		
绝缘等级 Insulation Class	H	
线圈连接方式 Connection Type	引线式 With Flying Leads	

产品编号/Product No.SB525 外观图/Overall Dimension
产品型号/Product Type 08210X



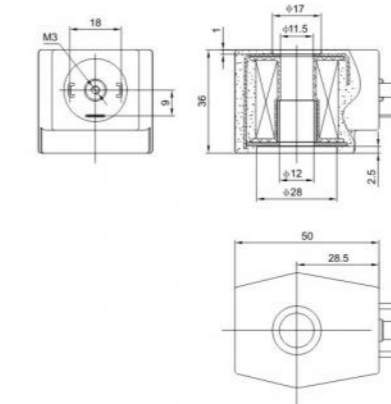
常规电压 Normal Voltage	AC220V DC24V	
常规功率 Normal Power	AC	6VA
	DC	4.8W
其他特种电压、特种功率可定做 Other voltage and power can be customized		
绝缘等级 Insulation Class	F、H	
线圈连接方式 Connection Type	引线式 With Flying Leads	

产品编号/Product No.SB513 外观图/Overall Dimension
产品型号/Product Type XY16492



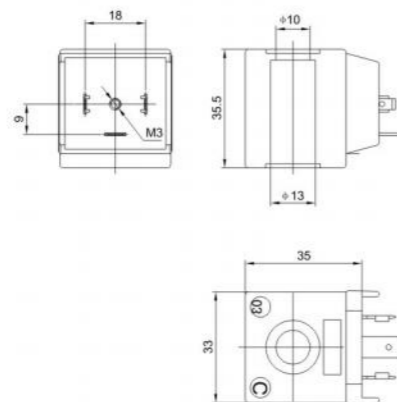
常规电压 Normal Voltage	DC24V	
常规功率 Normal Power	AC	
	DC	12W
其他特种电压、特种功率可定做 Other voltage and power can be customized		
绝缘等级 Insulation Class	H	
线圈连接方式 Connection Type	引线式 With Flying Leads	

产品编号/Product No.SB531 外观图/Overall Dimension
产品型号/Product Type TH12363



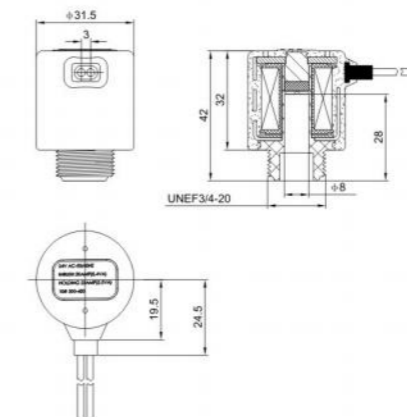
常规电压 Normal Voltage	AC220V AC110V DC24V DC12V	
常规功率 Normal Power	AC	15VA
	DC	12W
其他特种电压、特种功率可定做 Other voltage and power can be customized		
绝缘等级 Insulation Class	H	
线圈连接方式 Connection Type	DIN43650A	

产品编号/Product No.SB520 外观图/Overall Dimension
产品型号/Product Type BN13353



常规电压 Normal Voltage	AC220V AC110V DC24V DC12V	
常规功率 Normal Power	AC	15VA 22VA
	DC	16W
其他特种电压、特种功率可定做 Other voltage and power can be customized		
绝缘等级 Insulation Class	H	
线圈连接方式 Connection Type	DIN43650A	

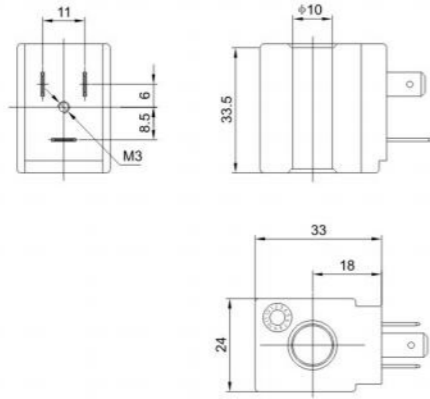
产品编号/Product No.SB533 外观图/Overall Dimension
产品型号/Product Type WY08422X



常规电压 Normal Voltage	DC24V DC9V DC6V	
常规功率 Normal Power	AC	
	DC	4.8W 20W
其他特种电压、特种功率可定做 Other voltage and power can be customized		
绝缘等级 Insulation Class	H	
线圈连接方式 Connection Type	引线式 With Flying Leads	

产品编号/Product No.SB535
产品型号/Product Type TM25

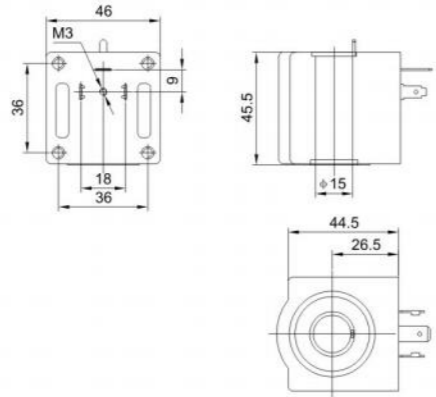
外观图/Overall Dimension



常规电压 Normal Voltage	AC220V AC110V DC24V	
常规功率 Normal Power	AC	10VA
	DC	8W
其他特种电压、特种功率可定做 Other voltage and power can be customized		
绝缘等级 Insulation Class	F、H	
线圈连接方式 Connection Type	DIN43650B	

产品编号/Product No.SB538
产品型号/Product Type XY15453

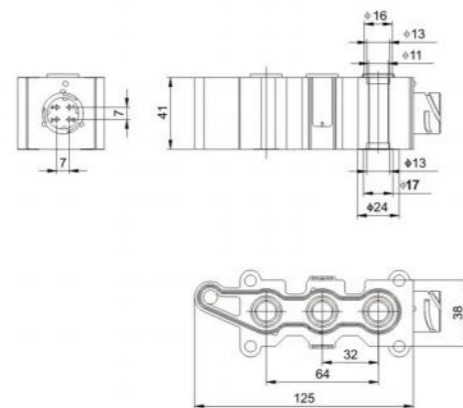
外观图/Overall Dimension



常规电压 Normal Voltage	AC220V AC110V DC24V DC12V	
常规功率 Normal Power	AC	10W
	DC	18W
其他特种电压、特种功率可定做 Other voltage and power can be customized		
绝缘等级 Insulation Class	H	
线圈连接方式 Connection Type	DIN43650A	

产品编号/Product No.SB539
产品型号/Product Type MQP107

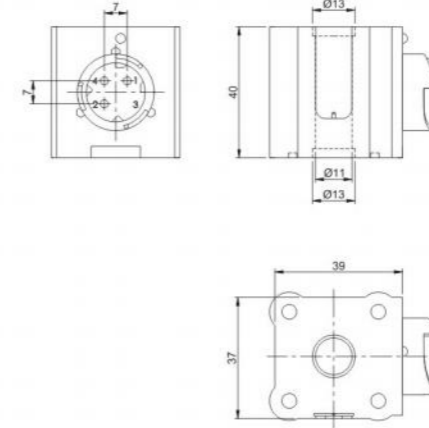
外观图/Overall Dimension



常规电压 Normal Voltage	DC24V	
常规功率 Normal Power	AC	
	DC	8W×3 8W×2
其他特种电压、特种功率可定做 Other voltage and power can be customized		
绝缘等级 Insulation Class	H	
线圈连接方式 Connection Type	接插式 Electrical Outlet Style	

产品编号/Product No.SB541
产品型号/Product Type MQP109

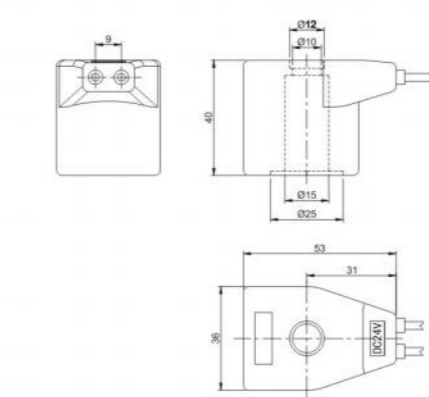
外观图/Overall Dimension



常规电压 Normal Voltage	DC24V	
常规功率 Normal Power	AC	
	DC	8W
其他特种电压、特种功率可定做 Other voltage and power can be customized		
绝缘等级 Insulation Class	H	
线圈连接方式 Connection Type	接插式 Electrical Outlet Style	

产品编号/Product No.SB546
产品型号/Product Type XY15402X

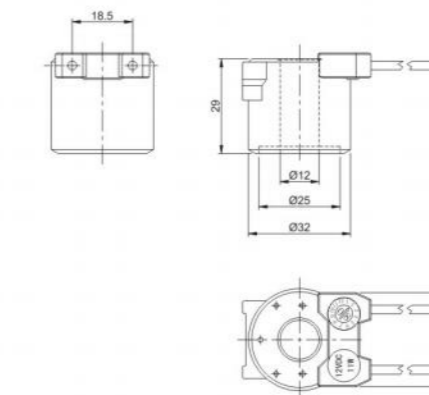
外观图/Overall Dimension



常规电压 Normal Voltage	DC24V	
常规功率 Normal Power	AC	
	DC	13.5W
其他特种电压、特种功率可定做 Other voltage and power can be customized		
绝缘等级 Insulation Class	H	
线圈连接方式 Connection Type	引线式 With Flying Leads	

产品编号/Product No.SB550
产品型号/Product Type XY12352X

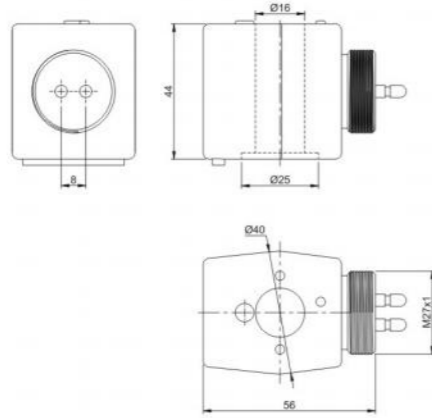
外观图/Overall Dimension



常规电压 Normal Voltage	DC24V	
常规功率 Normal Power	AC	
	DC	11W
其他特种电压、特种功率可定做 Other voltage and power can be customized		
绝缘等级 Insulation Class	F、H	
线圈连接方式 Connection Type	引线式 With Flying Leads	

产品编号/Product No.SB552
产品型号/Product Type STR-4

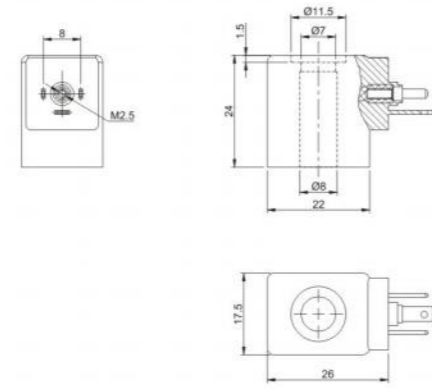
外观图/Overall Dimension



常规电压 Normal Voltage	DC24V	
常规功率 Normal Power	AC	
	DC	10W
其他特种电压、特种功率可定做 Other voltage and power can be customized		
绝缘等级 Insulation Class	B、H	
线圈连接方式 Connection Type	螺纹式 With Screw	

产品编号/Product No.SB561
产品型号/Product Type 4V110-G

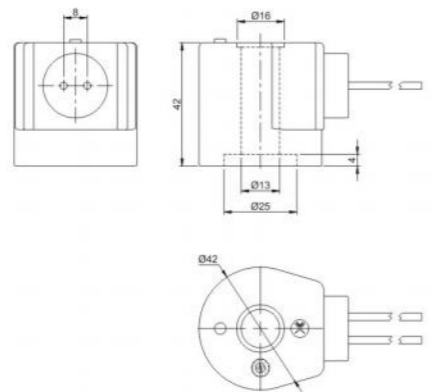
外观图/Overall Dimension



常规电压 Normal Voltage	AC220V AC110V DC24V DC12V	
常规功率 Normal Power	AC	4VA
	DC	3W
其他特种电压、特种功率可定做 Other voltage and power can be customized		
绝缘等级 Insulation Class	H	
线圈连接方式 Connection Type	DIN43650C	

产品编号/Product No.SB564
产品型号/Product Type PK13422X

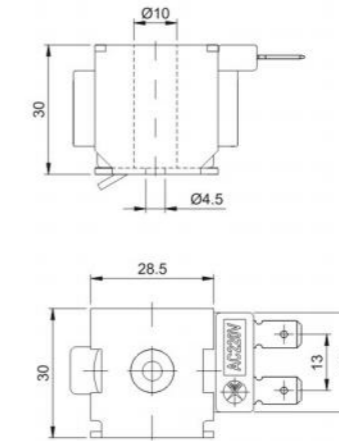
外观图/Overall Dimension



常规电压 Normal Voltage	DC24V DC12V	
常规功率 Normal Power	AC	
	DC	11.5W
其他特种电压、特种功率可定做 Other voltage and power can be customized		
绝缘等级 Insulation Class	H	
线圈连接方式 Connection Type	引线式 With Flying Leads	

产品编号/Product No.SB565
产品型号/Product Type XC09312

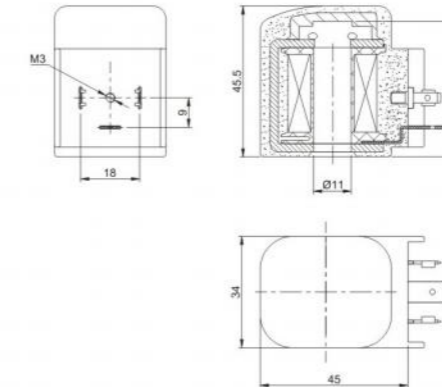
外观图/Overall Dimension



常规电压 Normal Voltage	AC230V AC120V	
常规功率 Normal Power	AC	85VA
	DC	
其他特种电压、特种功率可定做 Other voltage and power can be customized		
绝缘等级 Insulation Class	F、B	
线圈连接方式 Connection Type	6.3×0.8mm	

产品编号/Product No.SB567
产品型号/Product Type HD11463

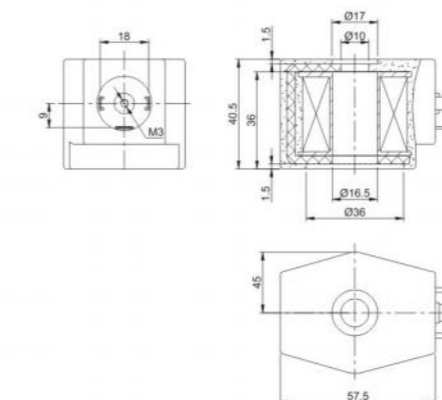
外观图/Overall Dimension



常规电压 Normal Voltage	AC220V AC110V DC24V DC12V	
常规功率 Normal Power	AC	17VA
	DC	9W
其他特种电压、特种功率可定做 Other voltage and power can be customized		
绝缘等级 Insulation Class	H	
线圈连接方式 Connection Type	DIN43650A	

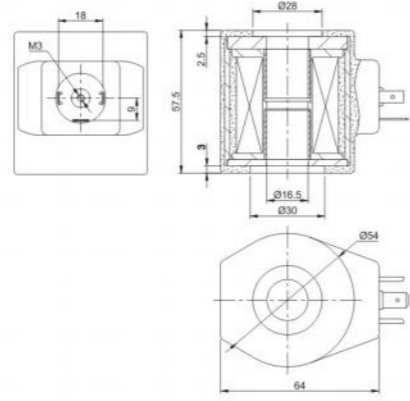
产品编号/Product No.SB569
产品型号/Product Type TH17413

外观图/Overall Dimension



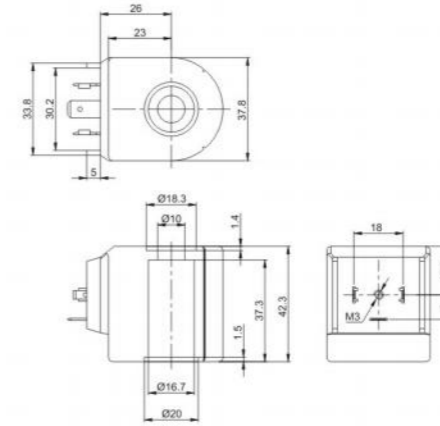
常规电压 Normal Voltage	AC220V AC110V DC24V DC12V	
常规功率 Normal Power	AC	28VA
	DC	20W
其他特种电压、特种功率可定做 Other voltage and power can be customized		
绝缘等级 Insulation Class	H	
线圈连接方式 Connection Type	DIN43650A	

◎ 产品编号/Product No.SB570 外观图/Overall Dimension
产品型号/Product Type TH17583



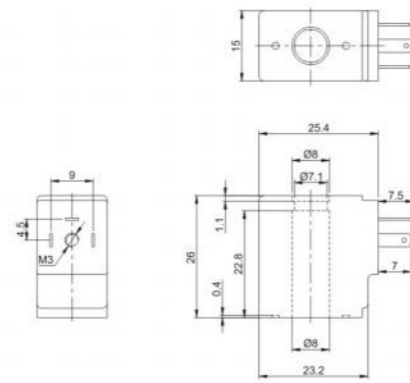
常规电压 Normal Voltage	AC220V AC110V DC24V DC12V	
常规功率 Normal Power	AC	38VA
	DC	30W
其他特种电压、特种功率可定做 Other voltage and power can be customized		
绝缘等级 Insulation Class	H	
线圈连接方式 Connection Type	DIN43650A	

◎ 产品编号/Product No.SB597 外观图/Overall Dimension
产品型号/Product Type XY16423



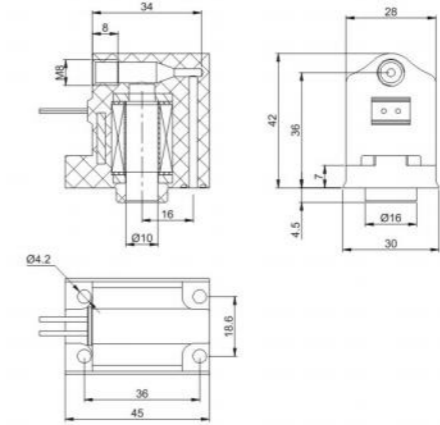
常规电压 Normal Voltage	AC220V AC110V DC24V DC12V	
常规功率 Normal Power	AC	18VA 21VA
	DC	12W
其他特种电压、特种功率可定做 Other voltage and power can be customized		
绝缘等级 Insulation Class	H	
线圈连接方式 Connection Type	DIN43650A	

◎ 产品编号/Product No.SB572 外观图/Overall Dimension
产品型号/Product Type 4V110-15



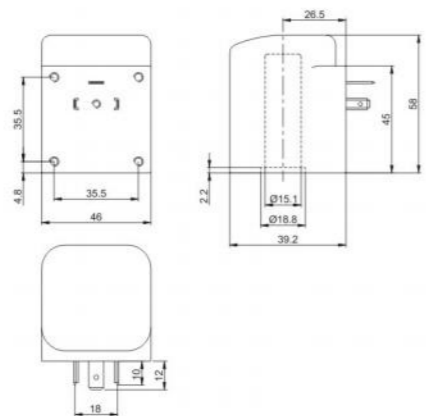
常规电压 Normal Voltage	AC220V AC110V DC24V DC12V	
常规功率 Normal Power	AC	5VA
	DC	2.4W
其他特种电压、特种功率可定做 Other voltage and power can be customized		
绝缘等级 Insulation Class	F、H	
线圈连接方式 Connection Type	DIN43650C	

◎ 产品编号/Product No.SB600 外观图/Overall Dimension
产品型号/Product Type WL50-DCF-020



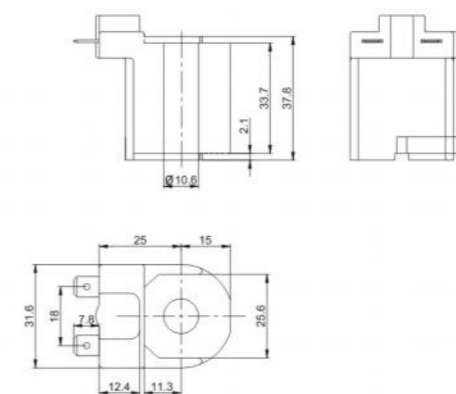
常规电压 Normal Voltage	AC220V AC24V	
常规功率 Normal Power	AC	10W
	DC	
其他特种电压、特种功率可定做 Other voltage and power can be customized		
绝缘等级 Insulation Class	H	
线圈连接方式 Connection Type	引线式 With Flying Leads	

◎ 产品编号/Product No.SB587 外观图/Overall Dimension
产品型号/Product Type HD15583



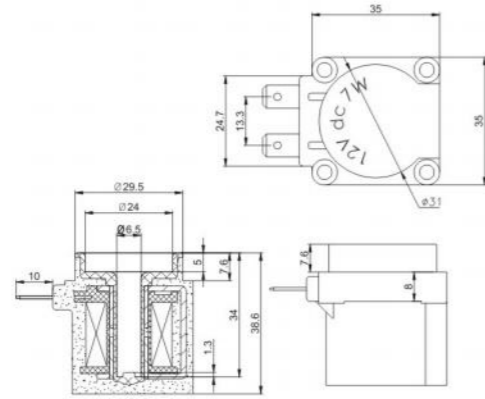
常规电压 Normal Voltage	AC220V AC110V DC24V DC12V	
常规功率 Normal Power	AC	10W
	DC	10W
其他特种电压、特种功率可定做 Other voltage and power can be customized		
绝缘等级 Insulation Class	H	
线圈连接方式 Connection Type	DIN43650A	

◎ 产品编号/Product No.SB704 外观图/Overall Dimension
产品型号/Product Type XY10332



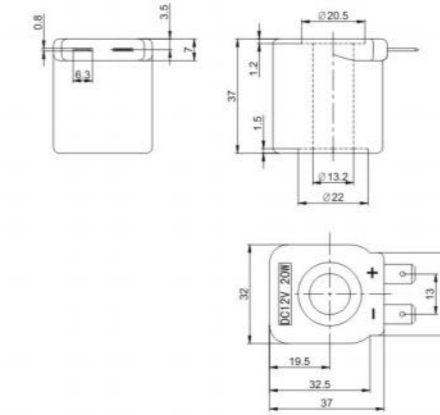
常规电压 Normal Voltage	RAC24V	
常规功率 Normal Power	AC	
	DC	10W
其他特种电压、特种功率可定做 Other voltage and power can be customized		
绝缘等级 Insulation Class	H	
线圈连接方式 Connection Type	6.3×0.8mm	

产品编号/Product No.SB706 外观图/Overall Dimension
产品型号/Product Type ZY06382



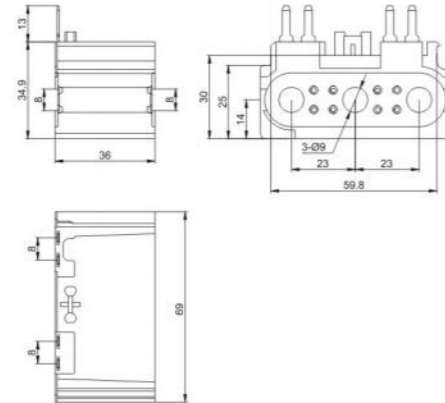
常规电压 Normal Voltage	DC12V	
常规功率 Normal Power	AC	
	DC	7W
其他特种电压、特种功率可定做 Other voltage and power can be customized		
绝缘等级 Insulation Class	H	
线圈连接方式 Connection Type	6.3 × 0.8mm	

产品编号/Product No.SB722 外观图/Overall Dimension
产品型号/Product Type SL13372



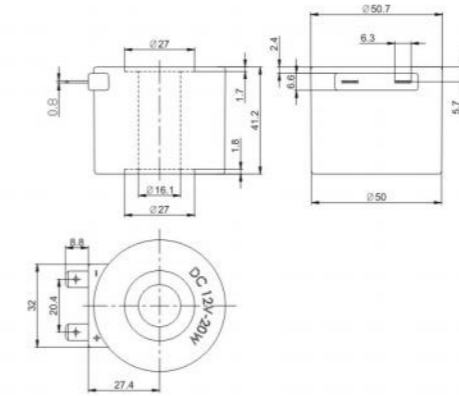
常规电压 Normal Voltage	DC24V DC12V	
常规功率 Normal Power	AC	
	DC	10W 18W 20W
其他特种电压、特种功率可定做 Other voltage and power can be customized		
绝缘等级 Insulation Class	H	
线圈连接方式 Connection Type	6.3 × 0.8mm	

产品编号/Product No.SB709 外观图/Overall Dimension
产品型号/Product Type Da21M



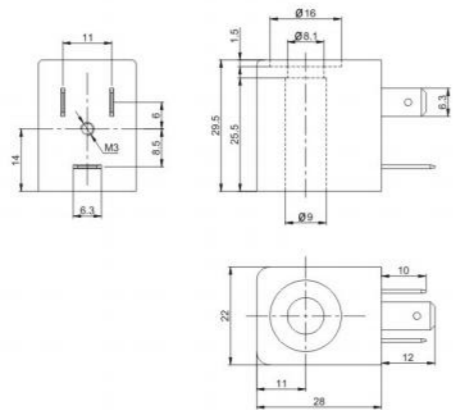
常规电压 Normal Voltage	DC24V	
常规功率 Normal Power	AC	
	DC	37W × 3
其他特种电压、特种功率可定做 Other voltage and power can be customized		
绝缘等级 Insulation Class	H	
线圈连接方式 Connection Type	2.8 × 0.8mm	

产品编号/Product No.SB724 外观图/Overall Dimension
产品型号/Product Type XY16412



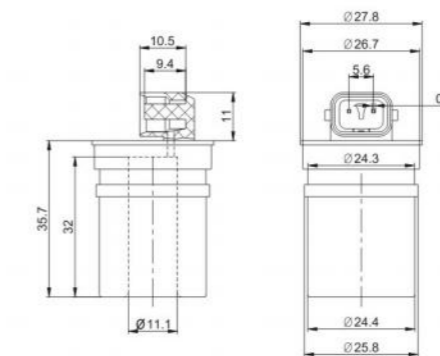
常规电压 Normal Voltage	DC24V DC12V	
常规功率 Normal Power	AC	
	DC	20W
其他特种电压、特种功率可定做 Other voltage and power can be customized		
绝缘等级 Insulation Class	H	
线圈连接方式 Connection Type	6.3 × 0.8mm	

产品编号/Product No.SB712 外观图/Overall Dimension
产品型号/Product Type AM210



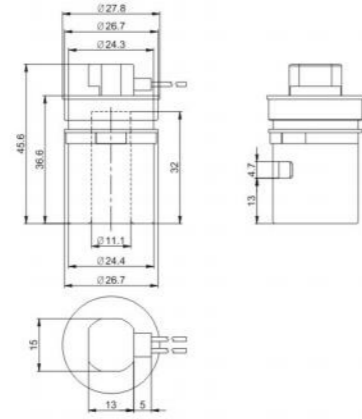
常规电压 Normal Voltage	AC220V AC24V DC24V	
常规功率 Normal Power	AC	5.5VA
	DC	3W 4.8W
其他特种电压、特种功率可定做 Other voltage and power can be customized		
绝缘等级 Insulation Class	F、H	
线圈连接方式 Connection Type	DIN43650B	

产品编号/Product No.SB726 外观图/Overall Dimension
产品型号/Product Type XY11472



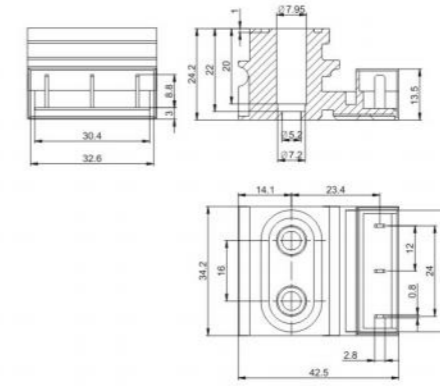
常规电压 Normal Voltage	DC12V	
常规功率 Normal Power	AC	
	DC	14W
其他特种电压、特种功率可定做 Other voltage and power can be customized		
绝缘等级 Insulation Class	H	
线圈连接方式 Connection Type	接插式 Electrical Outlet Style	

产品编号/Product No.SB727 外观图/Overall Dimension
产品型号/Product Type XY11452X



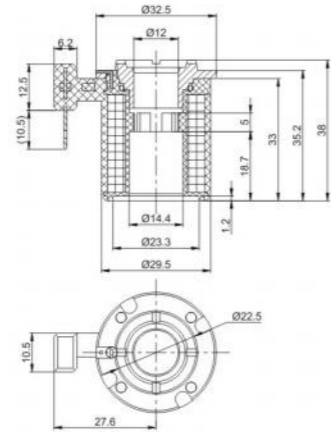
常规电压 Normal Voltage	DC12V	
常规功率 Normal Power	AC	
	DC	14W
其他特种电压、特种功率可定做 Other voltage and power can be customized		
绝缘等级 Insulation Class	H	
线圈连接方式 Connection Type	引线式 With Flying Leads	

产品编号/Product No.SB736 外观图/Overall Dimension
产品型号/Product Type SK110



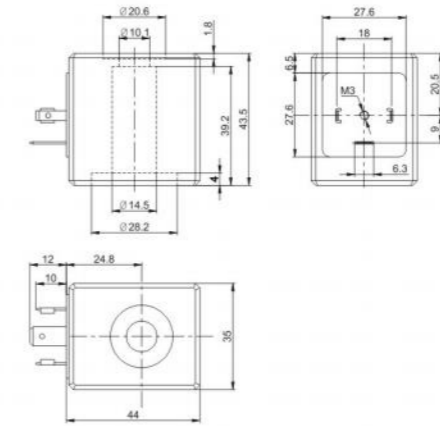
常规电压 Normal Voltage	DC24V	
常规功率 Normal Power	AC	
	DC	2.5W x 2
其他特种电压、特种功率可定做 Other voltage and power can be customized		
绝缘等级 Insulation Class	F	
线圈连接方式 Connection Type	2.8 x 0.8mm	

产品编号/Product No.SB728 外观图/Overall Dimension
产品型号/Product Type BDF-1



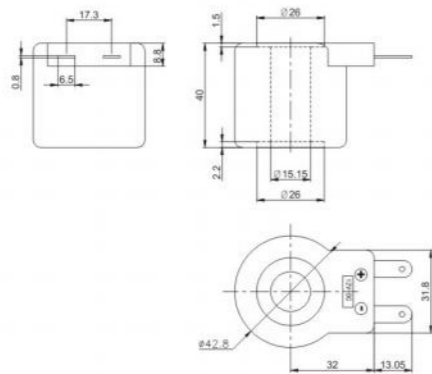
常规电压 Normal Voltage	DC12V	
常规功率 Normal Power	AC	
	DC	20W
其他特种电压、特种功率可定做 Other voltage and power can be customized		
绝缘等级 Insulation Class	C	
线圈连接方式 Connection Type	6.3 x 0.8mm	

产品编号/Product No.SB737 外观图/Overall Dimension
产品型号/Product Type O121



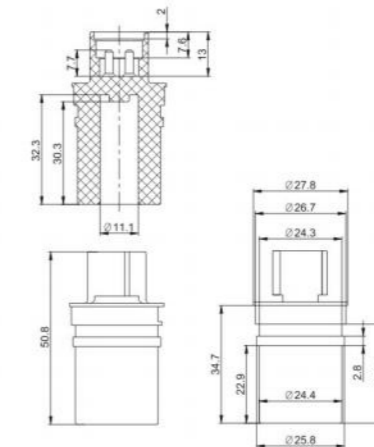
常规电压 Normal Voltage	AC230V DC24V	
常规功率 Normal Power	AC	34VA
	DC	27W
其他特种电压、特种功率可定做 Other voltage and power can be customized		
绝缘等级 Insulation Class	H	
线圈连接方式 Connection Type	DIN43650A	

产品编号/Product No.SB729 外观图/Overall Dimension
产品型号/Product Type HC15402



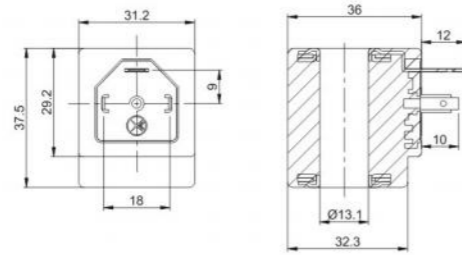
常规电压 Normal Voltage	DC24V DC12V	
常规功率 Normal Power	AC	
	DC	20W
其他特种电压、特种功率可定做 Other voltage and power can be customized		
绝缘等级 Insulation Class	H	
线圈连接方式 Connection Type	6.5 x 0.8mm	

产品编号/Product No.SB738 外观图/Overall Dimension
产品型号/Product Type XY11472B



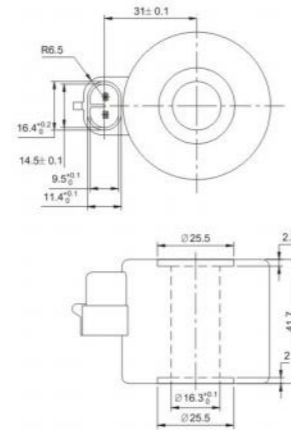
常规电压 Normal Voltage	DC12V	
常规功率 Normal Power	AC	
	DC	14W
其他特种电压、特种功率可定做 Other voltage and power can be customized		
绝缘等级 Insulation Class	H	
线圈连接方式 Connection Type	接插式 Electrical Outlet Style	

产品编号/Product No.SB739 外观图/Overall Dimension
产品型号/Product Type GEM13403B



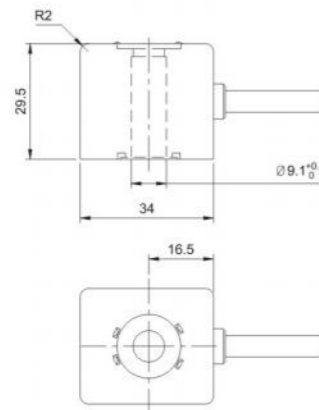
常规电压 Normal Voltage	AC380V AC24V DC24V	
常规功率 Normal Power	AC	18VA
	DC	10W
其他特种电压、特种功率可定做 Other voltage and power can be customized		
绝缘等级 Insulation Class	F、H	
线圈连接方式 Connection Type	DIN43650A	

产品编号/Product No.SB741 外观图/Overall Dimension
产品型号/Product Type XY16412B



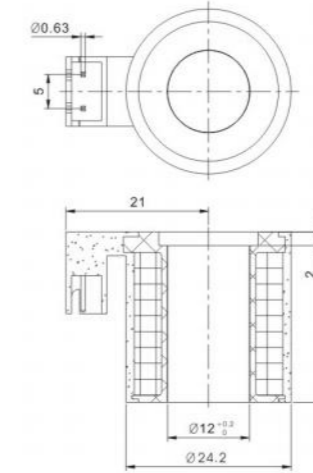
常规电压 Normal Voltage	DC12V	
常规功率 Normal Power	AC	
	DC	20W
其他特种电压、特种功率可定做 Other voltage and power can be customized		
绝缘等级 Insulation Class	F、H	
线圈连接方式 Connection Type	DEUTCH	

产品编号/Product No.SB742 外观图/Overall Dimension
产品型号/Product Type XY09301X



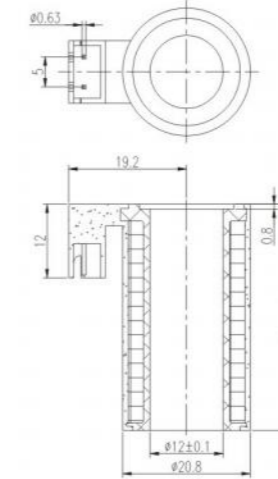
常规电压 Normal Voltage	AC220V AC110V	
常规功率 Normal Power	AC	5.5VA
	DC	
其他特种电压、特种功率可定做 Other voltage and power can be customized		
绝缘等级 Insulation Class	H	
线圈连接方式 Connection Type	电缆式 Connector Type Cable	

产品编号/Product No.SB745 外观图/Overall Dimension
产品型号/Product Type BDF-5A



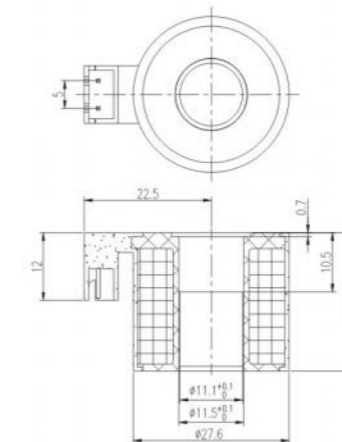
常规电压 Normal Voltage	DC12V	
常规功率 Normal Power	AC	
	DC	26W
其他特种电压、特种功率可定做 Other voltage and power can be customized		
绝缘等级 Insulation Class	N	
线圈连接方式 Connection Type	接插式 Meet & Insert Type	

产品编号/Product No.SB746 外观图/Overall Dimension
产品型号/Product Type BDF-6A



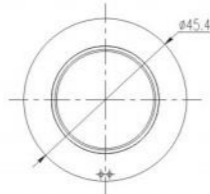
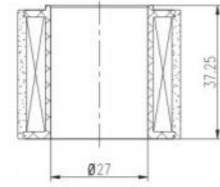
常规电压 Normal Voltage	DC12V	
常规功率 Normal Power	AC	
	DC	26W
其他特种电压、特种功率可定做 Other voltage and power can be customized		
绝缘等级 Insulation Class	N	
线圈连接方式 Connection Type	接插式 Meet & Insert Type	

产品编号/Product No.SB747 外观图/Overall Dimension
产品型号/Product Type BDF-12A



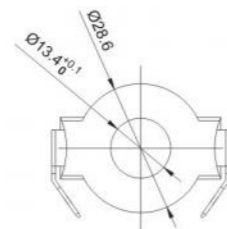
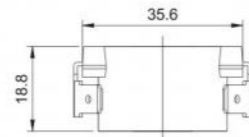
常规电压 Normal Voltage	DC12V	
常规功率 Normal Power	AC	
	DC	26W
其他特种电压、特种功率可定做 Other voltage and power can be customized		
绝缘等级 Insulation Class	N	
线圈连接方式 Connection Type	接插式 Meet & Insert Type	

◎ 产品编号/Product No.SB748 外观图/Overall Dimension
产品型号/Product Type VMG55



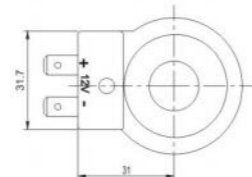
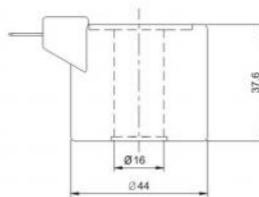
常规电压 Normal Voltage	DC24V	
常规功率 Normal Power	AC	
	DC	15W
其他特种电压、特种功率可定做 Other voltage and power can be customized		
绝缘等级 Insulation Class	H	
线圈连接方式 Connection Type	引线式 With Flying leads	

◎ 产品编号/Product No.SB749 外观图/Overall Dimension
产品型号/Product Type XY13182



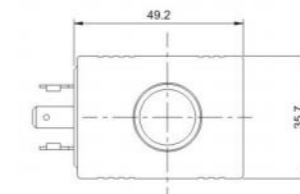
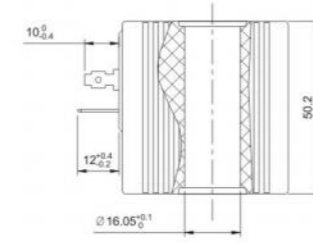
常规电压 Normal Voltage	DC24V、DC12V	
常规功率 Normal Power	AC	
	DC	13W
其他特种电压、特种功率可定做 Other voltage and power can be customized		
绝缘等级 Insulation Class	H	
线圈连接方式 Connection Type	6.3X0.8	

◎ 产品编号/Product No.SB750 外观图/Overall Dimension
产品型号/Product Type XY16372



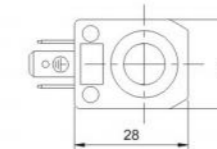
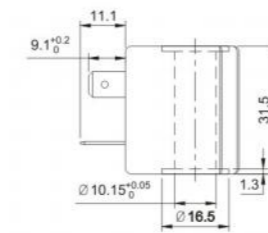
常规电压 Normal Voltage	DC12V	
常规功率 Normal Power	AC	
	DC	16.5W 19W
其他特种电压、特种功率可定做 Other voltage and power can be customized		
绝缘等级 Insulation Class	H	
线圈连接方式 Connection Type	6.3X0.8	

◎ 产品编号/Product No.SB751 外观图/Overall Dimension
产品型号/Product Type XY16503



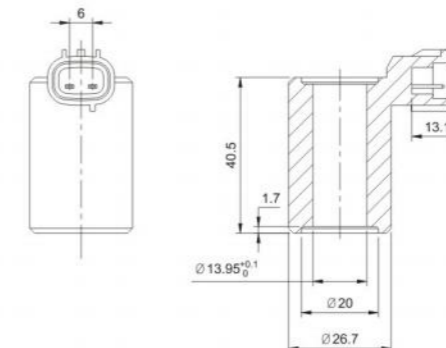
常规电压 Normal Voltage	DC24V、DC12V	
常规功率 Normal Power	AC	
	DC	19W、29W
其他特种电压、特种功率可定做 Other voltage and power can be customized		
绝缘等级 Insulation Class	H、N	
线圈连接方式 Connection Type	DIN43650A	

◎ 产品编号/Product No.SB754 外观图/Overall Dimension
产品型号/Product Type XY210-10



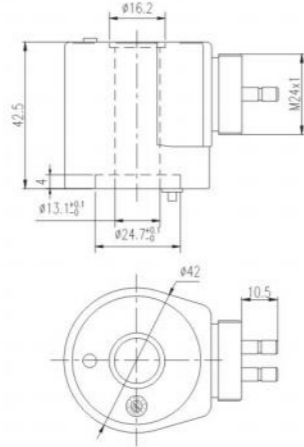
常规电压 Normal Voltage	AC230V、AC24V、DC24V	
常规功率 Normal Power	AC	5VA
	DC	3.5W、6W
其他特种电压、特种功率可定做 Other voltage and power can be customized		
绝缘等级 Insulation Class	H	
线圈连接方式 Connection Type	DIN43650B	

◎ 产品编号/Product No.SB755 外观图/Overall Dimension
产品型号/Product Type XY14402



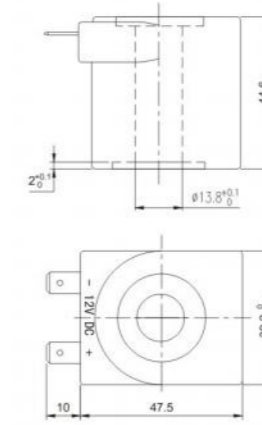
常规电压 Normal Voltage	DC13V	
常规功率 Normal Power	AC	
	DC	47W
其他特种电压、特种功率可定做 Other voltage and power can be customized		
绝缘等级 Insulation Class	N	
线圈连接方式 Connection Type	DEUTCH	

产品编号/Product No.SB757 外观图/Overall Dimension
产品型号/Product Type PK13422W



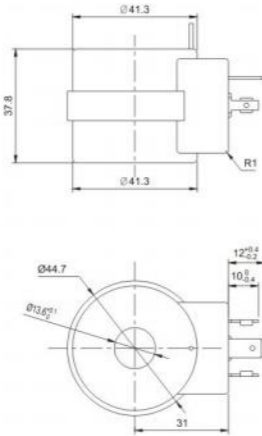
常规电压 Normal Voltage	DC24、DC12V	
常规功率 Normal Power	AC	
	DC	12W
其他特种电压、特种功率可定做 Other voltage and power can be customized		
绝缘等级 Insulation Class	H	
线圈连接方式 Connection Type	螺纹式 With Screw	

产品编号/Product No.SB768 外观图/Overall Dimension
产品型号/Product Type XY14442



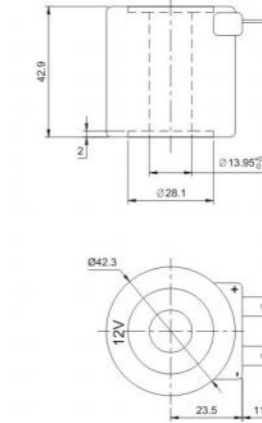
常规电压 Normal Voltage	DC12V	
常规功率 Normal Power	AC	
	DC	21.5W
其他特种电压、特种功率可定做 Other voltage and power can be customized		
绝缘等级 Insulation Class	H	
线圈连接方式 Connection Type	6.3X0.8	

产品编号/Product No.SB758 外观图/Overall Dimension
产品型号/Product Type RV13403



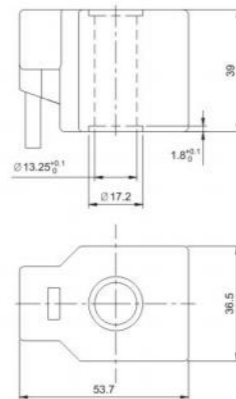
常规电压 Normal Voltage	DC6V、DC12V	
常规功率 Normal Power	AC	
	DC	10.5W、4.8W
其他特种电压、特种功率可定做 Other voltage and power can be customized		
绝缘等级 Insulation Class	H	
线圈连接方式 Connection Type	DIN43650A	

产品编号/Product No.SB769 外观图/Overall Dimension
产品型号/Product Type XY14432



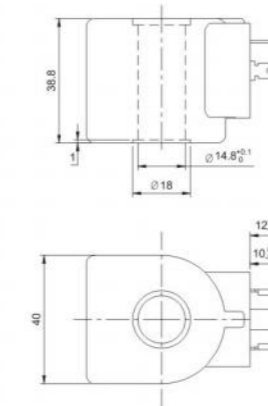
常规电压 Normal Voltage	DC12V	
常规功率 Normal Power	AC	
	DC	20W
其他特种电压、特种功率可定做 Other voltage and power can be customized		
绝缘等级 Insulation Class	H	
线圈连接方式 Connection Type	6.3X0.8	

产品编号/Product No.SB765 外观图/Overall Dimension
产品型号/Product Type JK001



常规电压 Normal Voltage	DC27V	
常规功率 Normal Power	AC	
	DC	23.5W
其他特种电压、特种功率可定做 Other voltage and power can be customized		
绝缘等级 Insulation Class	H	
线圈连接方式 Connection Type	电缆式 With Flying leads	

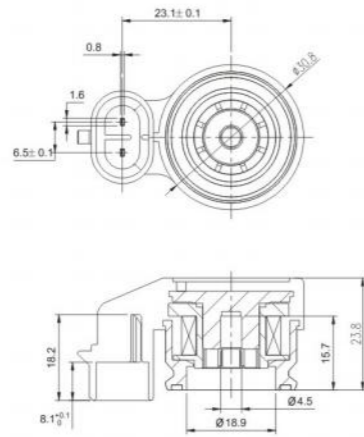
产品编号/Product No.SB770 外观图/Overall Dimension
产品型号/Product Type XP13



常规电压 Normal Voltage	AC24V	
常规功率 Normal Power	AC	10W
	DC	
其他特种电压、特种功率可定做 Other voltage and power can be customized		
绝缘等级 Insulation Class	H	
线圈连接方式 Connection Type	DIN43650A	

产品编号/Product No.SB778
产品型号/Product Type JD01

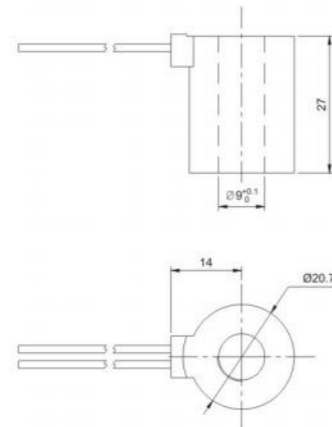
外观图/Overall Dimension



常规电压 Normal Voltage	DC6V	
常规功率 Normal Power	AC	
	DC	18W
其他特种电压、特种功率可定做 Other voltage and power can be customized		
绝缘等级 Insulation Class	H	
线圈连接方式 Connection Type	DEUTCH	

产品编号/Product No.SB779
产品型号/Product Type XY09272X

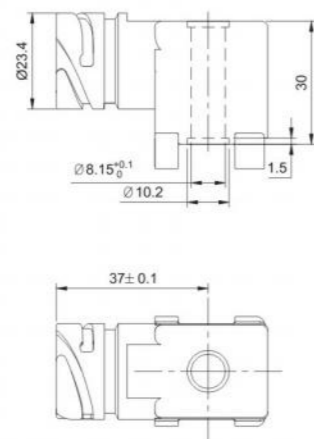
外观图/Overall Dimension



常规电压 Normal Voltage	DC24V	
常规功率 Normal Power	AC	
	DC	46W
其他特种电压、特种功率可定做 Other voltage and power can be customized		
绝缘等级 Insulation Class	H	
线圈连接方式 Connection Type	电缆式 With Flying Leads	

产品编号/Product No.SB780
产品型号/Product Type XY08302

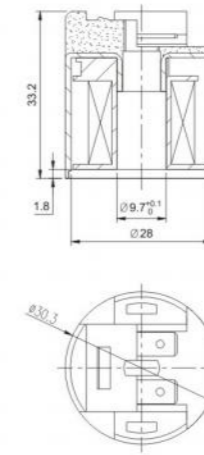
外观图/Overall Dimension



常规电压 Normal Voltage	DC24V	
常规功率 Normal Power	AC	
	DC	2.5W
其他特种电压、特种功率可定做 Other voltage and power can be customized		
绝缘等级 Insulation Class	H	
线圈连接方式 Connection Type	接插式 Meet & Insert Type	

产品编号/Product No.SB781
产品型号/Product Type KDF-8A

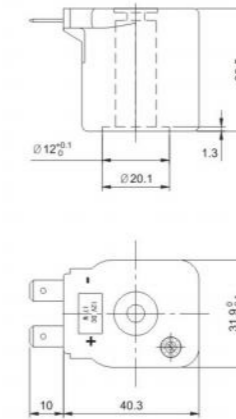
外观图/Overall Dimension



常规电压 Normal Voltage	DC24V	
常规功率 Normal Power	AC	
	DC	6W
其他特种电压、特种功率可定做 Other voltage and power can be customized		
绝缘等级 Insulation Class	N	
线圈连接方式 Connection Type	6.3X0.8	

产品编号/Product No.SB791
产品型号/Product Type XY12362

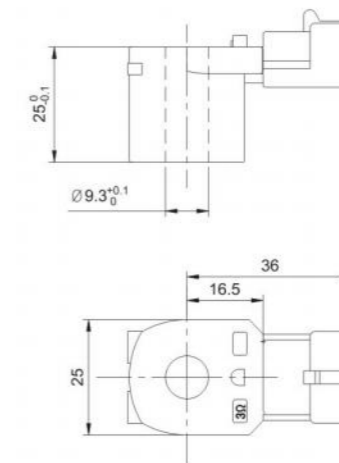
外观图/Overall Dimension



常规电压 Normal Voltage	DC12V	
常规功率 Normal Power	AC	
	DC	17W
其他特种电压、特种功率可定做 Other voltage and power can be customized		
绝缘等级 Insulation Class	H	
线圈连接方式 Connection Type	6.3X0.8	

产品编号/Product No.SB796
产品型号/Product Type HT09252B

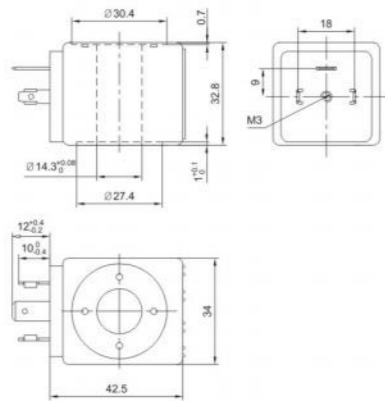
外观图/Overall Dimension



常规电压 Normal Voltage	DC6V	
常规功率 Normal Power	AC	
	DC	12W、36W
其他特种电压、特种功率可定做 Other voltage and power can be customized		
绝缘等级 Insulation Class	H	
线圈连接方式 Connection Type	DEUTCH	

产品编号/Product No.SB799
产品型号/Product Type ZB14

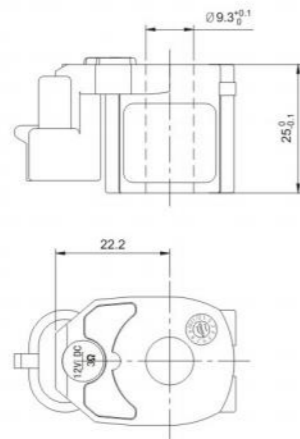
外观图/Overall Dimension



常规电压 Normal Voltage	AC220V	
常规功率 Normal Power	AC	14W
	DC	
其他特种电压、特种功率可定做 Other voltage and power can be customized		
绝缘等级 Insulation Class	H	
线圈连接方式 Connection Type	DIN43650A	

产品编号/Product No.SB813
产品型号/Product Type HT09252C

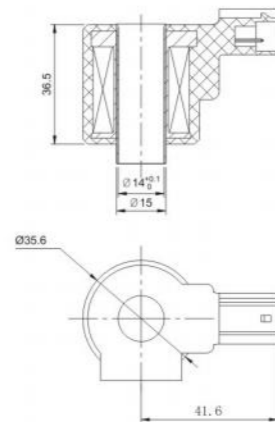
外观图/Overall Dimension



常规电压 Normal Voltage	DC12V	
常规功率 Normal Power	AC	48W
	DC	
其他特种电压、特种功率可定做 Other voltage and power can be customized		
绝缘等级 Insulation Class	H	
线圈连接方式 Connection Type	DEUTCH	

产品编号/Product No.SB814
产品型号/Product Type BN14362

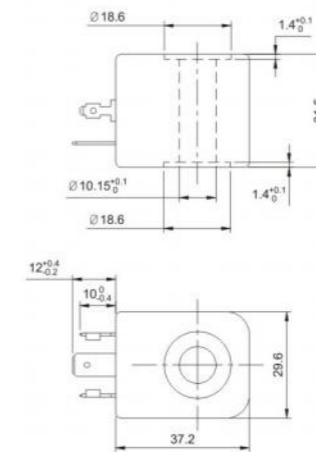
外观图/Overall Dimension



常规电压 Normal Voltage	DC24V	
常规功率 Normal Power	AC	10.5W
	DC	
其他特种电压、特种功率可定做 Other voltage and power can be customized		
绝缘等级 Insulation Class	H	
线圈连接方式 Connection Type	DEUTCH	

产品编号/Product No.SB818
产品型号/Product Type DC10313

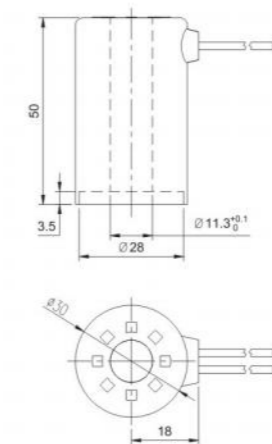
外观图/Overall Dimension



常规电压 Normal Voltage	AC230V、AC110V、DC24V	
常规功率 Normal Power	AC	3.3VA
	DC	2.7W、4.5W
其他特种电压、特种功率可定做 Other voltage and power can be customized		
绝缘等级 Insulation Class	H	
线圈连接方式 Connection Type	DIN43650A	

产品编号/Product No.SB819
产品型号/Product Type IN50

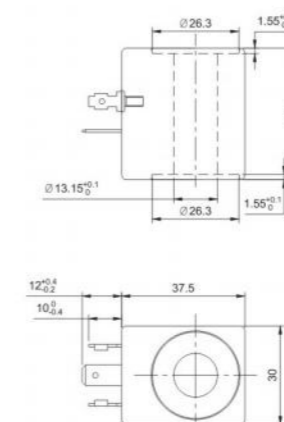
外观图/Overall Dimension



常规电压 Normal Voltage	DC12V	
常规功率 Normal Power	AC	16W
	DC	
其他特种电压、特种功率可定做 Other voltage and power can be customized		
绝缘等级 Insulation Class	N	
线圈连接方式 Connection Type	引线式 With Flying leads	

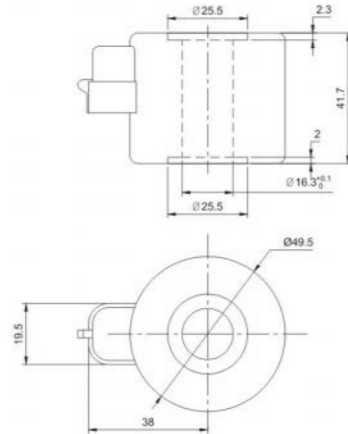
产品编号/Product No.SB820
产品型号/Product Type DB13403

外观图/Overall Dimension



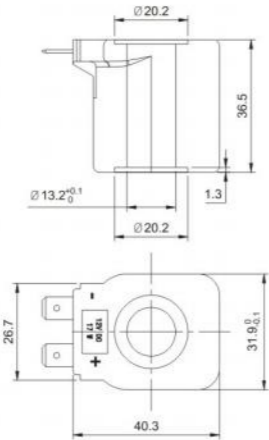
常规电压 Normal Voltage	AC220V、AC110V、DC24V、DC12V	
常规功率 Normal Power	AC	10VA
	DC	11W、12W
其他特种电压、特种功率可定做 Other voltage and power can be customized		
绝缘等级 Insulation Class	H	
线圈连接方式 Connection Type	DIN43650A	

产品编号/Product No.SB825 外观图/Overall Dimension
产品型号/Product Type XY16412C



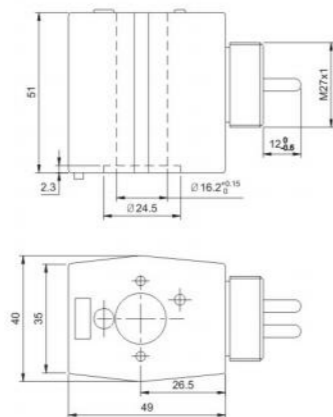
常规电压 Normal Voltage	DC12V	
常规功率 Normal Power	AC	
	DC	20W
其他特种电压、特种功率可定做 Other voltage and power can be customized		
绝缘等级 Insulation Class	H	
线圈连接方式 Connection Type	DEUTCH	

产品编号/Product No.SB826 外观图/Overall Dimension
产品型号/Product Type SL13372B



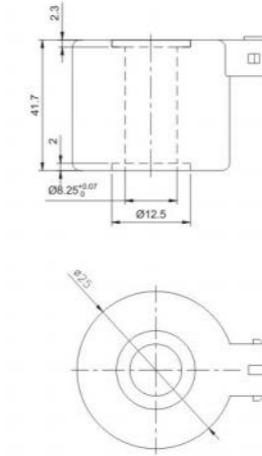
常规电压 Normal Voltage	DC24V	
常规功率 Normal Power	AC	
	DC	17W
其他特种电压、特种功率可定做 Other voltage and power can be customized		
绝缘等级 Insulation Class	H	
线圈连接方式 Connection Type	6.3X0.8	

产品编号/Product No.SB836 外观图/Overall Dimension
产品型号/Product Type STR-5



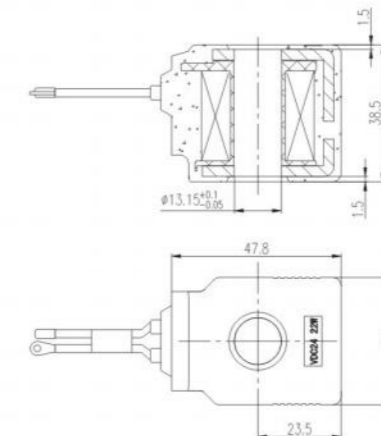
常规电压 Normal Voltage	DC24V	
常规功率 Normal Power	AC	
	DC	13.5W
其他特种电压、特种功率可定做 Other voltage and power can be customized		
绝缘等级 Insulation Class	B	
线圈连接方式 Connection Type	螺纹式 With Screw	

产品编号/Product No.SB837 外观图/Overall Dimension
产品型号/Product Type XY16412D



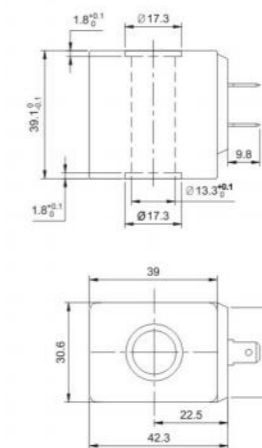
常规电压 Normal Voltage	DC12V	
常规功率 Normal Power	AC	
	DC	20W
其他特种电压、特种功率可定做 Other voltage and power can be customized		
绝缘等级 Insulation Class	H	
线圈连接方式 Connection Type	DEUTCH	

产品编号/Product No.SB839 外观图/Overall Dimension
产品型号/Product Type CS13392-2



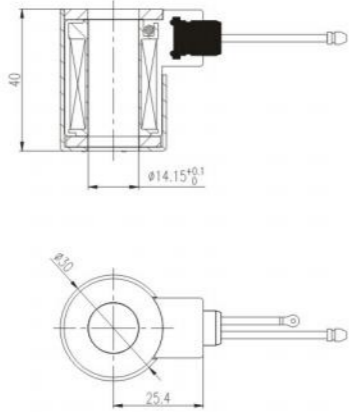
常规电压 Normal Voltage	DC24V、DC12V	
常规功率 Normal Power	AC	
	DC	22W
其他特种电压、特种功率可定做 Other voltage and power can be customized		
绝缘等级 Insulation Class	H	
线圈连接方式 Connection Type	引线式 With Flying leads	

产品编号/Product No.SB842 外观图/Overall Dimension
产品型号/Product Type LV13392



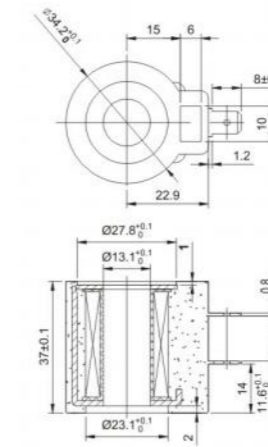
常规电压 Normal Voltage	DC10V	
常规功率 Normal Power	AC	
	DC	18W
其他特种电压、特种功率可定做 Other voltage and power can be customized		
绝缘等级 Insulation Class	H	
线圈连接方式 Connection Type	6.3X0.8	

产品编号/Product No.SB843 外观图/Overall Dimension
产品型号/Product Type XY11402X



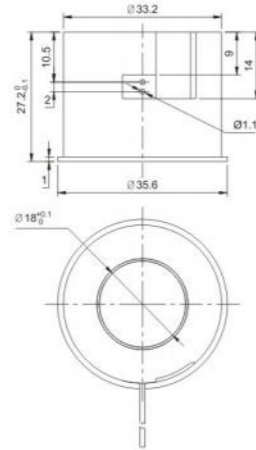
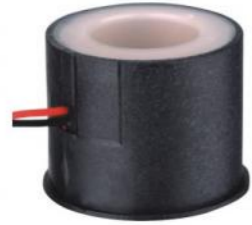
常规电压 Normal Voltage	DC24V	
常规功率 Normal Power	AC	
	DC	15W
其他特种电压、特种功率可定做 Other voltage and power can be customized		
绝缘等级 Insulation Class	H	
线圈连接方式 Connection Type	引线式 With Flying leads	

产品编号/Product No.SB848 外观图/Overall Dimension
产品型号/Product Type XY13372-A



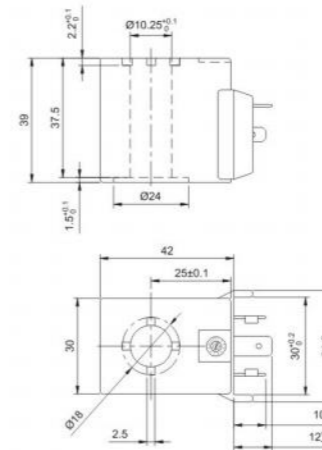
常规电压 Normal Voltage	DC10V	
常规功率 Normal Power	AC	
	DC	18W
其他特种电压、特种功率可定做 Other voltage and power can be customized		
绝缘等级 Insulation Class	H	
线圈连接方式 Connection Type	6.3X0.8	

产品编号/Product No.SB846 外观图/Overall Dimension
产品型号/Product Type VMG45



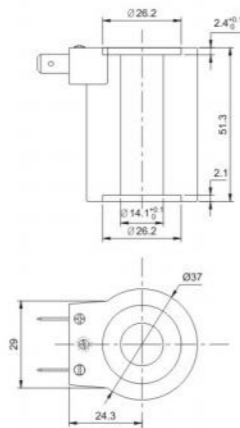
常规电压 Normal Voltage	DC24V	
常规功率 Normal Power	AC	
	DC	14W
其他特种电压、特种功率可定做 Other voltage and power can be customized		
绝缘等级 Insulation Class	H	
线圈连接方式 Connection Type	引线式 With Flying leads	

产品编号/Product No.SB852 外观图/Overall Dimension
产品型号/Product Type HB700-10



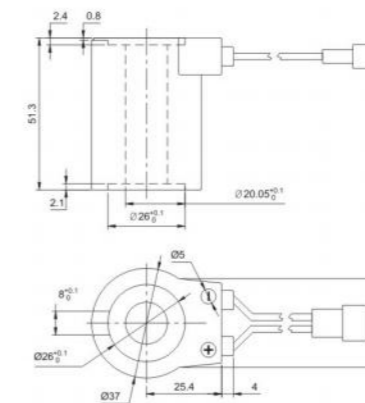
常规电压 Normal Voltage	DC13V	
常规功率 Normal Power	AC	
	DC	4W
其他特种电压、特种功率可定做 Other voltage and power can be customized		
绝缘等级 Insulation Class	H	
线圈连接方式 Connection Type	DIN43650A	

产品编号/Product No.SB847 外观图/Overall Dimension
产品型号/Product Type XY11482



常规电压 Normal Voltage	DC12V	
常规功率 Normal Power	AC	
	DC	22W
其他特种电压、特种功率可定做 Other voltage and power can be customized		
绝缘等级 Insulation Class	H	
线圈连接方式 Connection Type	6.3X0.8	

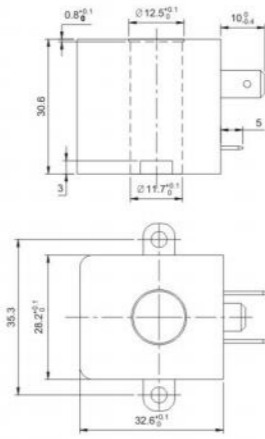
产品编号/Product No.SB853 外观图/Overall Dimension
产品型号/Product Type XY14512X



常规电压 Normal Voltage	DC12V	
常规功率 Normal Power	AC	
	DC	22W
其他特种电压、特种功率可定做 Other voltage and power can be customized		
绝缘等级 Insulation Class	H	
线圈连接方式 Connection Type	引线式 With Flying leads	

产品编号/Product No.SB854
产品型号/Product Type 4108

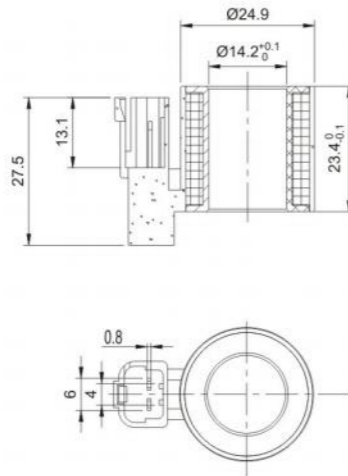
外观图/Overall Dimension



常规电压 Normal Voltage	DC24V	
常规功率 Normal Power	AC	
	DC	90W
其他特种电压、特种功率可定做 Other voltage and power can be customized		
绝缘等级 Insulation Class	H	
线圈连接方式 Connection Type	6.3X0.8	

产品编号/Product No.SB857
产品型号/Product Type BDF-14

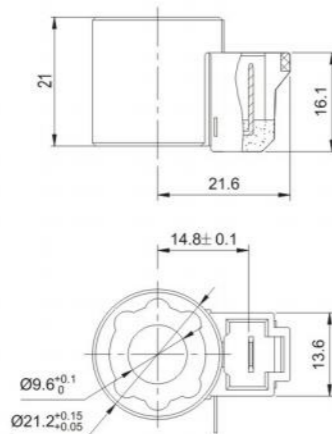
外观图/Overall Dimension



常规电压 Normal Voltage	DC12V	
常规功率 Normal Power	AC	
	DC	39W
其他特种电压、特种功率可定做 Other voltage and power can be customized		
绝缘等级 Insulation Class	H	
线圈连接方式 Connection Type	接插式 Meet & Insert Type	

产品编号/Product No.SB858
产品型号/Product Type KDF-18

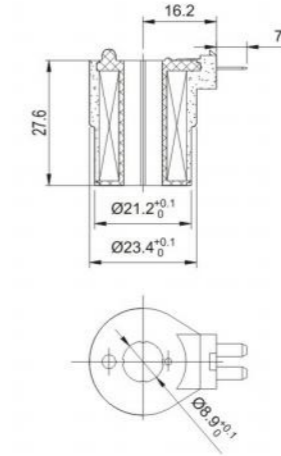
外观图/Overall Dimension



常规电压 Normal Voltage	DC24V	
常规功率 Normal Power	AC	
	DC	44W
其他特种电压、特种功率可定做 Other voltage and power can be customized		
绝缘等级 Insulation Class	H	
线圈连接方式 Connection Type	接插式 Meet & Insert Type	

产品编号/Product No.SB859
产品型号/Product Type XY09272

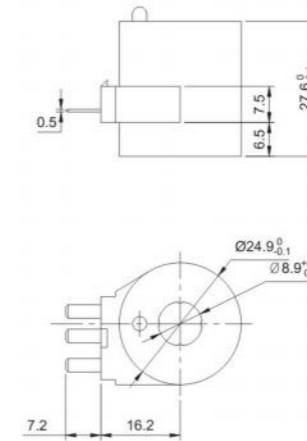
外观图/Overall Dimension



常规电压 Normal Voltage	AC120V	
常规功率 Normal Power	AC	5.5VA
	DC	
其他特种电压、特种功率可定做 Other voltage and power can be customized		
绝缘等级 Insulation Class	H	
线圈连接方式 Connection Type	2.8X0.5	

产品编号/Product No.SB860
产品型号/Product Type XY09273

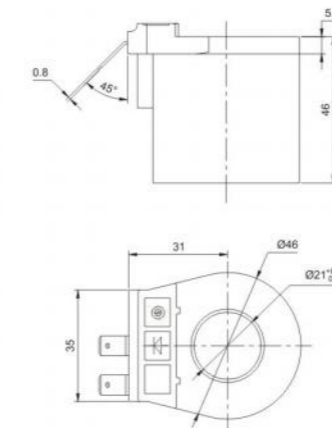
外观图/Overall Dimension



常规电压 Normal Voltage	AC120V	
常规功率 Normal Power	AC	5.5VA
	DC	
其他特种电压、特种功率可定做 Other voltage and power can be customized		
绝缘等级 Insulation Class	H	
线圈连接方式 Connection Type	2.8 X 0.5	

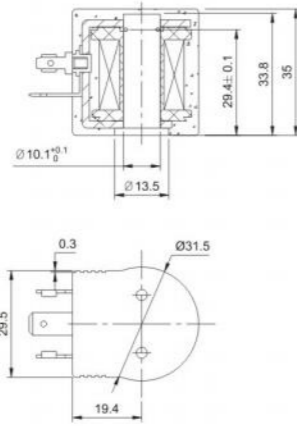
产品编号/Product No.SB861
产品型号/Product Type XY21462

外观图/Overall Dimension



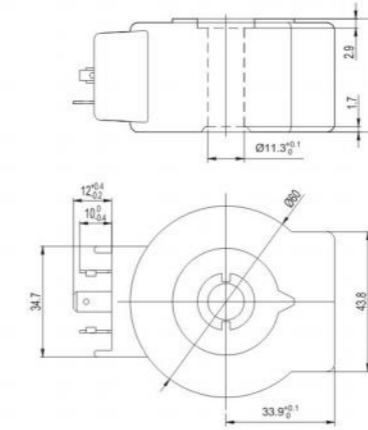
常规电压 Normal Voltage	AC230V, AC115	
常规功率 Normal Power	VA	
	W	
其他特种电压、特种功率可定做 Other voltage and power can be customized		
绝缘等级 Insulation Class	H	
线圈连接方式 Connection Type	6.3X0.8	

产品编号/Product No.SB862 外观图/Overall Dimension
产品型号/Product Type XY10322



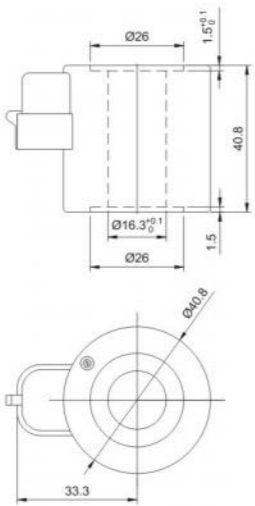
常规电压 Normal Voltage	AC220V	
常规功率 Normal Power	AC	8W
	DC	
其他特种电压、特种功率可定做 Other voltage and power can be customized		
绝缘等级 Insulation Class	H	
线圈连接方式 Connection Type	DIN43650A	

产品编号/Product No.SB869 外观图/Overall Dimension
产品型号/Product Type HY-D



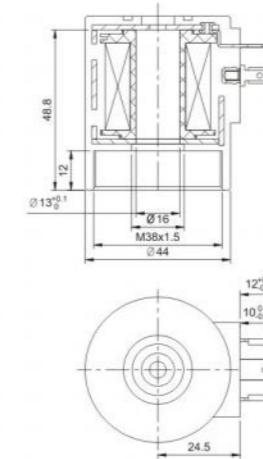
常规电压 Normal Voltage	AC220V、DC12V	
常规功率 Normal Power	AC	8W
	DC	19W
其他特种电压、特种功率可定做 Other voltage and power can be customized		
绝缘等级 Insulation Class	H	
线圈连接方式 Connection Type	DIN43650A	

产品编号/Product No.SB866 外观图/Overall Dimension
产品型号/Product Type XY16402



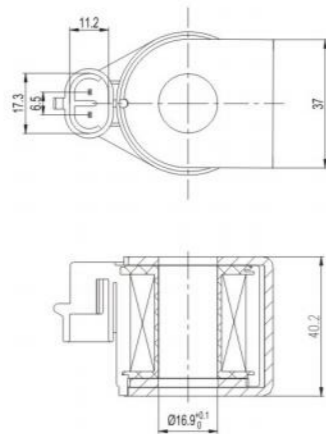
常规电压 Normal Voltage	DC12V	
常规功率 Normal Power	AC	15W、18W
	DC	
其他特种电压、特种功率可定做 Other voltage and power can be customized		
绝缘等级 Insulation Class	H	
线圈连接方式 Connection Type	DEUTCH	

产品编号/Product No.SB873 外观图/Overall Dimension
产品型号/Product Type XY13503



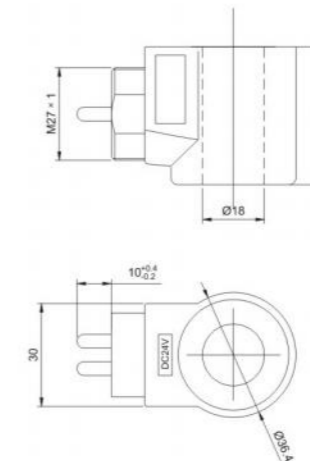
常规电压 Normal Voltage	AC220V	
常规功率 Normal Power	AC	18VA
	DC	26W
其他特种电压、特种功率可定做 Other voltage and power can be customized		
绝缘等级 Insulation Class	F	
线圈连接方式 Connection Type	DIN43650A	

产品编号/Product No.SB868 外观图/Overall Dimension
产品型号/Product Type XY17352



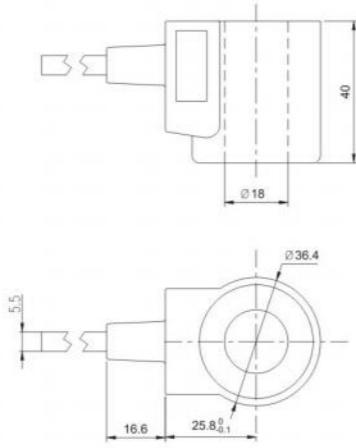
常规电压 Normal Voltage	DC12V	
常规功率 Normal Power	AC	
	DC	16W
其他特种电压、特种功率可定做 Other voltage and power can be customized		
绝缘等级 Insulation Class	H	
线圈连接方式 Connection Type	DEUTCH	

产品编号/Product No.SB874 外观图/Overall Dimension
产品型号/Product Type XY18402



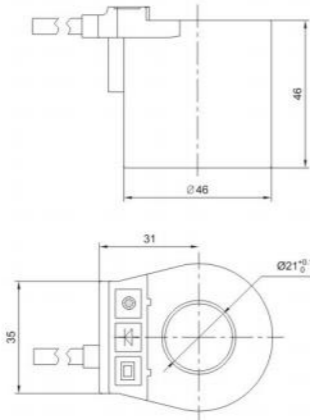
常规电压 Normal Voltage	DC12V DC24V	
常规功率 Normal Power	AC	
	DC	18W 23W
其他特种电压、特种功率可定做 Other voltage and power can be customized		
绝缘等级 Insulation Class	H	
线圈连接方式 Connection Type	螺纹式 With Screw	

产品编号/Product No.SB875 外观图/Overall Dimension
产品型号/Product Type XY18401X



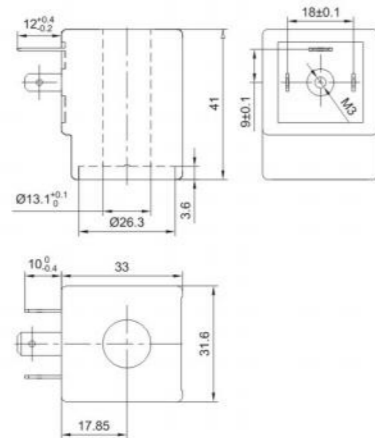
常规电压 Normal Voltage	DC24V	
常规功率 Normal Power	AC	
	DC	18W 23W
其他特种电压、特种功率可定做 Other voltage and power can be customized		
绝缘等级 Insulation Class	H	
线圈连接方式 Connection Type	电缆式 With Flying Leads	

产品编号/Product No.SB879 外观图/Overall Dimension
产品型号/Product Type XY21461X



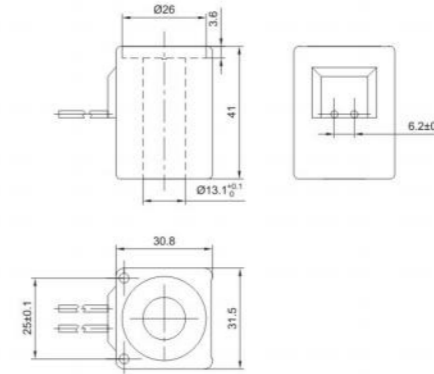
常规电压 Normal Voltage	AC230V AC115V AC12V	
常规功率 Normal Power	AC	
	DC	
其他特种电压、特种功率可定做 Other voltage and power can be customized		
绝缘等级 Insulation Class	H	
线圈连接方式 Connection Type	引线式	

产品编号/Product No.SB883 外观图/Overall Dimension
产品型号/Product Type XY13413



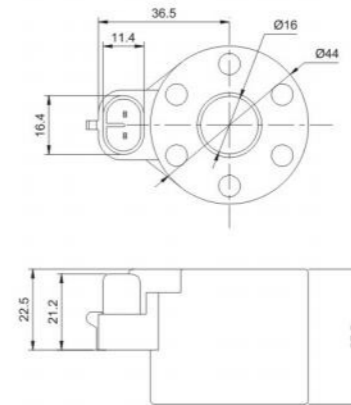
常规电压 Normal Voltage	AC240V AC110V DC24V	
常规功率 Normal Power	AC	8W
	DC	10W
其他特种电压、特种功率可定做 Other voltage and power can be customized		
绝缘等级 Insulation Class	H	
线圈连接方式 Connection Type	DIN4350A	

产品编号/Product No.SB884 外观图/Overall Dimension
产品型号/Product Type XY13412X



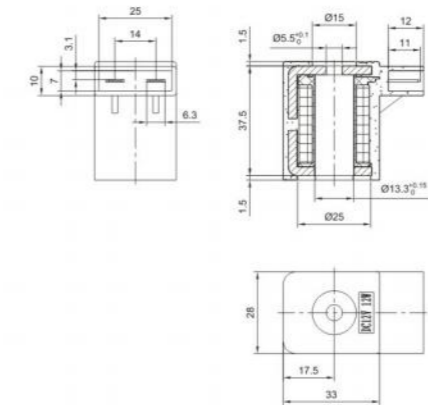
常规电压 Normal Voltage	AC120V DC24V DC12V	
常规功率 Normal Power	AC	8W
	DC	10W 14.5W 18W 23W
其他特种电压、特种功率可定做 Other voltage and power can be customized		
绝缘等级 Insulation Class	H	
线圈连接方式 Connection Type	引线式	

产品编号/Product No.SB887 外观图/Overall Dimension
产品型号/Product Type XY16372B



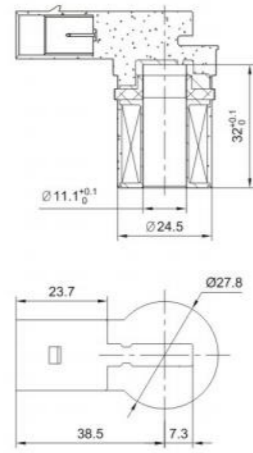
常规电压 Normal Voltage	DC12V	
常规功率 Normal Power	AC	
	DC	16.5W
其他特种电压、特种功率可定做 Other voltage and power can be customized		
绝缘等级 Insulation Class	H	
线圈连接方式 Connection Type	DEUTCH	

产品编号/Product No.SB890 外观图/Overall Dimension
产品型号/Product Type XY13402Q



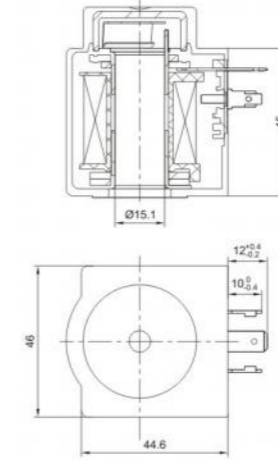
常规电压 Normal Voltage	DC12V	
常规功率 Normal Power	AC	
	DC	12W 13W 14W
其他特种电压、特种功率可定做 Other voltage and power can be customized		
绝缘等级 Insulation Class	H	
线圈连接方式 Connection Type	6.3 X 0.8	

产品编号/Product No.SB892 外观图/Overall Dimension
产品型号/Product Type XY11472C



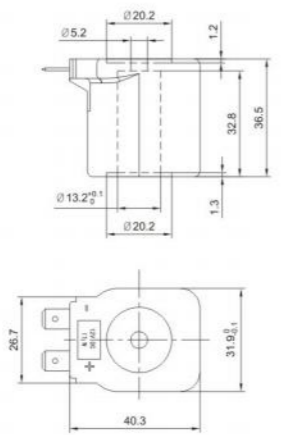
常规电压 Normal Voltage	DC12V	
常规功率 Normal Power	AC	14W
	DC	14W
其他特种电压、特种功率可定做 Other voltage and power can be customized		
绝缘等级 Insulation Class	H	
线圈连接方式 Connection Type	1.6 X 0.8	

产品编号/Product No.SB902 外观图/Overall Dimension
产品型号/Product Type XY15453-B



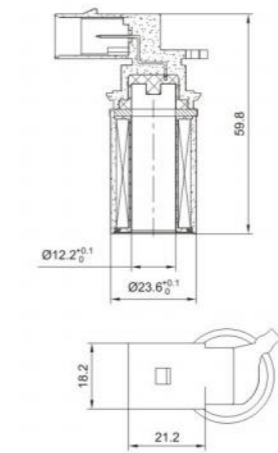
常规电压 Normal Voltage	AC220V DC24V DC12V	
常规功率 Normal Power	AC	10W 18W
	DC	10W 18W
其他特种电压、特种功率可定做 Other voltage and power can be customized		
绝缘等级 Insulation Class	H	
线圈连接方式 Connection Type	DIN43650A	

产品编号/Product No.SB894 外观图/Overall Dimension
产品型号/Product Type SL13372C



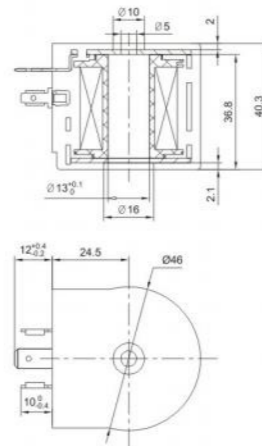
常规电压 Normal Voltage	DC12V	
常规功率 Normal Power	AC	18W 19W 20W
	DC	18W 19W 20W
其他特种电压、特种功率可定做 Other voltage and power can be customized		
绝缘等级 Insulation Class	H	
线圈连接方式 Connection Type	6.3 X 0.8	

产品编号/Product No.SB904 外观图/Overall Dimension
产品型号/Product Type XY11472D



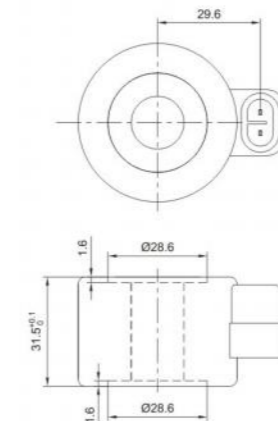
常规电压 Normal Voltage	DC12V	
常规功率 Normal Power	AC	13.5W
	DC	13.5W
其他特种电压、特种功率可定做 Other voltage and power can be customized		
绝缘等级 Insulation Class	H	
线圈连接方式 Connection Type	DEUTCH	

产品编号/Product No.SB895 外观图/Overall Dimension
产品型号/Product Type XY13505-B



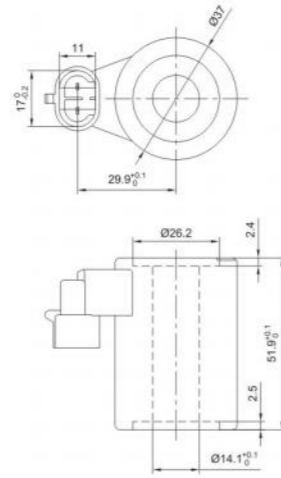
常规电压 Normal Voltage	AC220V AV120V AC24V	
常规功率 Normal Power	AC	16W
	DC	16W
其他特种电压、特种功率可定做 Other voltage and power can be customized		
绝缘等级 Insulation Class	H	
线圈连接方式 Connection Type	DIN43650A	

产品编号/Product No.SB905 外观图/Overall Dimension
产品型号/Product Type XY15322



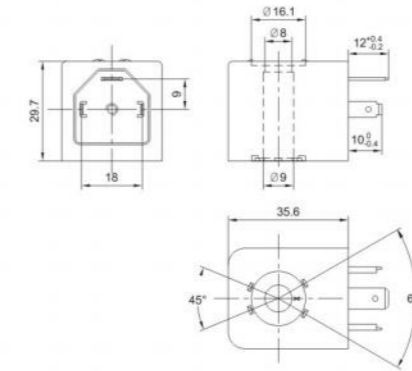
常规电压 Normal Voltage	DC12V	
常规功率 Normal Power	AC	16W
	DC	16W
其他特种电压、特种功率可定做 Other voltage and power can be customized		
绝缘等级 Insulation Class	H	
线圈连接方式 Connection Type	DEUTCH	

产品编号/Product No.SB910 外观图/Overall Dimension
产品型号/Product Type XY11482B



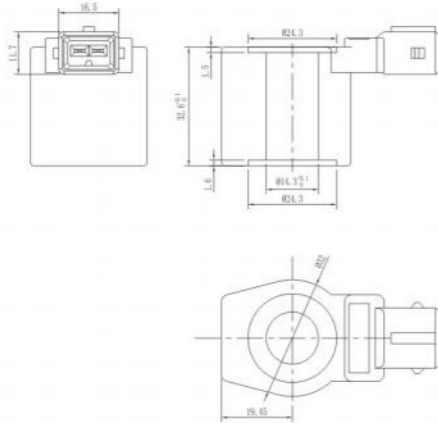
常规电压 Normal Voltage	DC12V	
常规功率 Normal Power	AC	
	DC	22W
其他特种电压、特种功率可定做 Other voltage and power can be customized		
绝缘等级 Insulation Class	H	
线圈连接方式 Connection Type	DEUTCH	

产品编号/Product No.SB913 外观图/Overall Dimension
产品型号/Product Type CNOMO-X



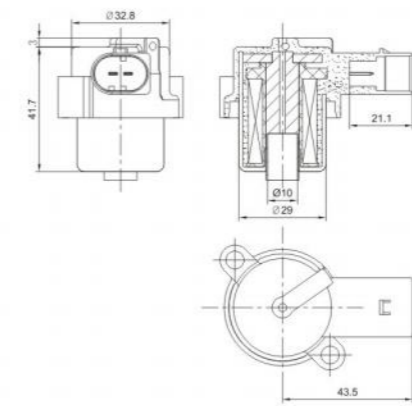
常规电压 Normal Voltage	DC24V	
常规功率 Normal Power	AC	
	DC	2.1W
其他特种电压、特种功率可定做 Other voltage and power can be customized		
绝缘等级 Insulation Class	H	
线圈连接方式 Connection Type	DIN4350A	

产品编号/Product No.SB911 外观图/Overall Dimension
产品型号/Product Type XY14322



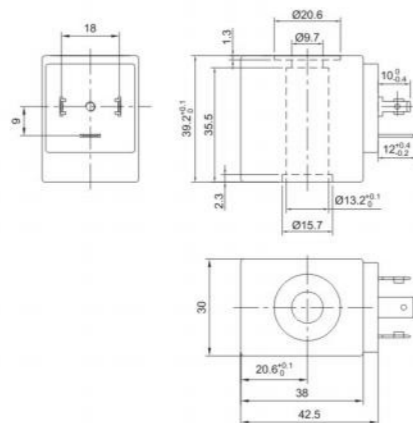
常规电压 Normal Voltage	DC12V	
常规功率 Normal Power	AC	
	DC	13W
其他特种电压、特种功率可定做 Other voltage and power can be customized		
绝缘等级 Insulation Class	H	
线圈连接方式 Connection Type	DEUTCH	

产品编号/Product No.SB915 外观图/Overall Dimension
产品型号/Product Type WABC001



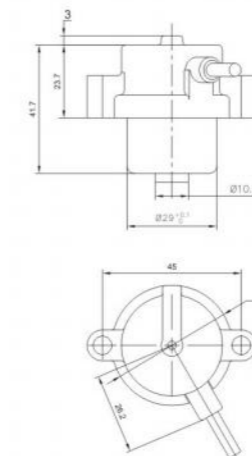
常规电压 Normal Voltage	DC12V	
常规功率 Normal Power	AC	
	DC	9W
其他特种电压、特种功率可定做 Other voltage and power can be customized		
绝缘等级 Insulation Class	H	
线圈连接方式 Connection Type	DEUTCH	

产品编号/Product No.SB912 外观图/Overall Dimension
产品型号/Product Type XY13393



常规电压 Normal Voltage	AC220V AC24V DC12V	
常规功率 Normal Power	AC	14.5VA
	DC	12W
其他特种电压、特种功率可定做 Other voltage and power can be customized		
绝缘等级 Insulation Class	H	
线圈连接方式 Connection Type	DIN43650A	

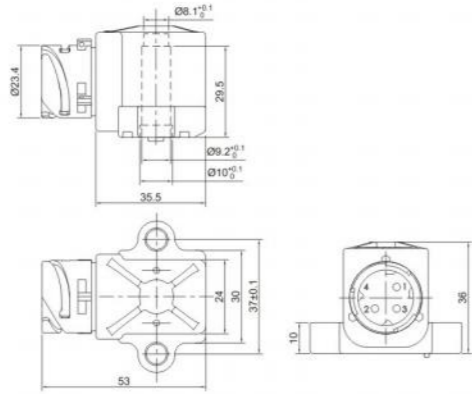
产品编号/Product No.SB918 外观图/Overall Dimension
产品型号/Product Type WABC002



常规电压 Normal Voltage	DC12V	
常规功率 Normal Power	AC	
	DC	9W
其他特种电压、特种功率可定做 Other voltage and power can be customized		
绝缘等级 Insulation Class	H	
线圈连接方式 Connection Type	引线式 With Flying Leads	

产品编号/Product No.SB920
产品型号/Product Type XH210

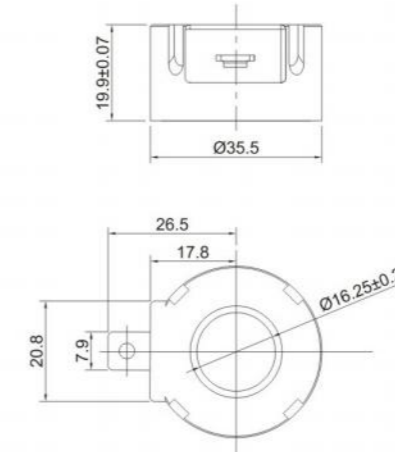
外观图/Overall Dimension



常规电压 Normal Voltage	DC24V	
常规功率 Normal Power	AC	
	DC	7W 38.4W
其他特种电压、特种功率可定做 Other voltage and power can be customized		
绝缘等级 Insulation Class	H	
线圈连接方式 Connection Type	接插式 Meet & Insert Type	

产品编号/Product No.SB928
产品型号/Product Type M4060

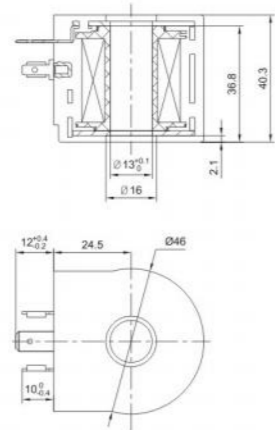
外观图/Overall Dimension



常规电压 Normal Voltage	DC12V	
常规功率 Normal Power	AC	
	DC	9W
其他特种电压、特种功率可定做 Other voltage and power can be customized		
绝缘等级 Insulation Class	H	
线圈连接方式 Connection Type	7.9 X 0.8	

产品编号/Product No.SB922
产品型号/Product Type RB200

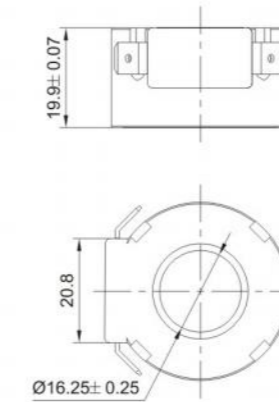
外观图/Overall Dimension



常规电压 Normal Voltage	AC220V AV120V AC24V	
常规功率 Normal Power	AC	
	DC	
其他特种电压、特种功率可定做 Other voltage and power can be customized		
绝缘等级 Insulation Class	H	
线圈连接方式 Connection Type	DIN43650A	

产品编号/Product No.SB929
产品型号/Product Type M4050

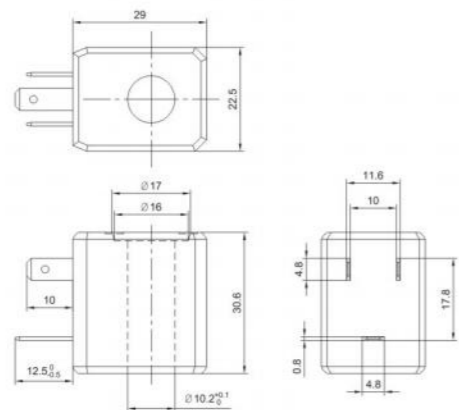
外观图/Overall Dimension



常规电压 Normal Voltage	DC12V	
常规功率 Normal Power	AC	
	DC	9W
其他特种电压、特种功率可定做 Other voltage and power can be customized		
绝缘等级 Insulation Class	H	
线圈连接方式 Connection Type	7.9 X 0.8	

产品编号/Product No.SB925
产品型号/Product Type JY1030

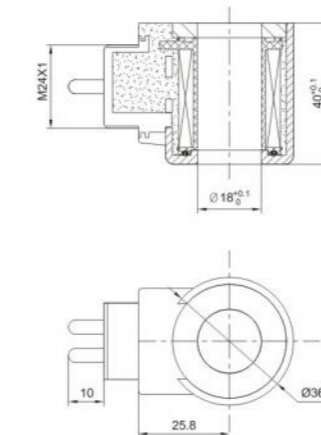
外观图/Overall Dimension



常规电压 Normal Voltage	AC220V	
常规功率 Normal Power	AC	14W
	DC	
其他特种电压、特种功率可定做 Other voltage and power can be customized		
绝缘等级 Insulation Class	H	
线圈连接方式 Connection Type	DIN43650B	

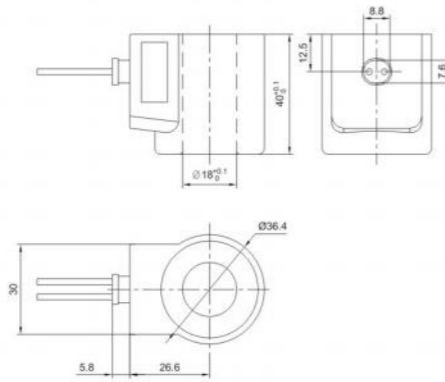
产品编号/Product No.SB933
产品型号/Product Type XY18402-A

外观图/Overall Dimension



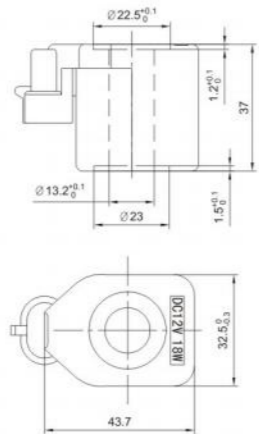
常规电压 Normal Voltage	DC24V DC12V	
常规功率 Normal Power	AC	
	DC	18W 23W 25.5W
其他特种电压、特种功率可定做 Other voltage and power can be customized		
绝缘等级 Insulation Class	H	
线圈连接方式 Connection Type	螺纹式 With Screw	

产品编号/Product No.SB934 外观图/Overall Dimension
产品型号/Product Type XY18402X



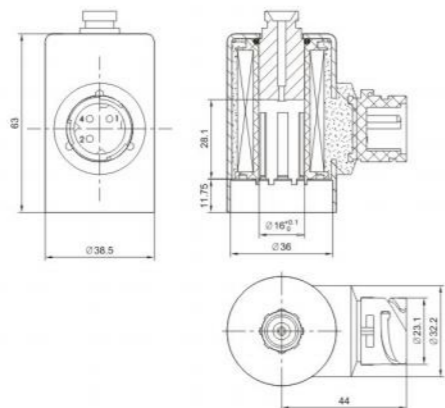
常规电压 Normal Voltage	DC24V DC12V	
常规功率 Normal Power	AC	
	DC	18W 23W 25.5W
其他特种电压、特种功率可定做 Other voltage and power can be customized		
绝缘等级 Insulation Class	H	
线圈连接方式 Connection Type	引线式 With Flying leads	

产品编号/Product No.SB935 外观图/Overall Dimension
产品型号/Product Type SL13372D



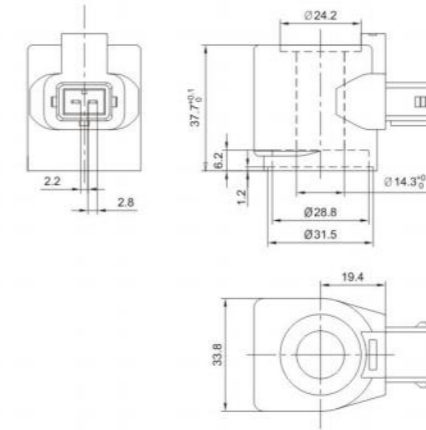
常规电压 Normal Voltage	DC24V DC12V	
常规功率 Normal Power	AC	
	DC	17W 18W 20W
其他特种电压、特种功率可定做 Other voltage and power can be customized		
绝缘等级 Insulation Class	H	
线圈连接方式 Connection Type	DEUTCH	

产品编号/Product No.SB936 外观图/Overall Dimension
产品型号/Product Type DA21M-291



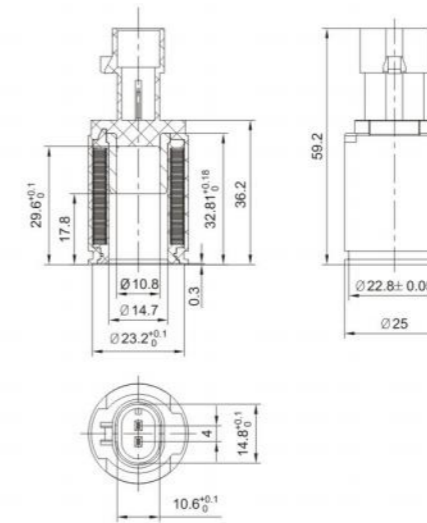
常规电压 Normal Voltage	DC24V	
常规功率 Normal Power	AC	
	DC	14W
其他特种电压、特种功率可定做 Other voltage and power can be customized		
绝缘等级 Insulation Class	H	
线圈连接方式 Connection Type	接插式 Meet & Insert Type	

产品编号/Product No.SB938 外观图/Overall Dimension
产品型号/Product Type XY14382



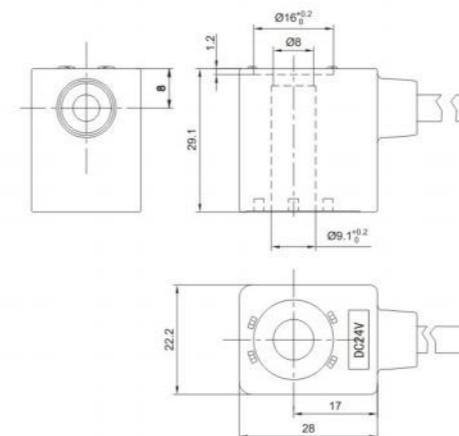
常规电压 Normal Voltage	DC24V DC12V	
常规功率 Normal Power	AC	
	DC	13W 18W
其他特种电压、特种功率可定做 Other voltage and power can be customized		
绝缘等级 Insulation Class	H	
线圈连接方式 Connection Type	DEUTCH	

产品编号/Product No.SB947 外观图/Overall Dimension
产品型号/Product Type JF14592



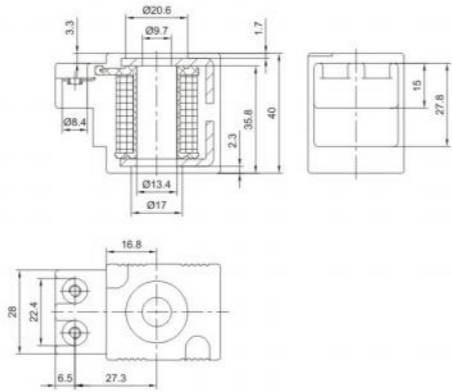
常规电压 Normal Voltage	DC12V	
常规功率 Normal Power	AC	
	DC	17W
其他特种电压、特种功率可定做 Other voltage and power can be customized		
绝缘等级 Insulation Class	H	
线圈连接方式 Connection Type	DEUTCH	

产品编号/Product No.SB948 外观图/Overall Dimension
产品型号/Product Type 3130-1X



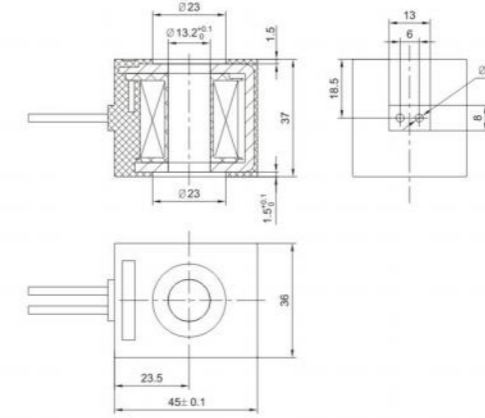
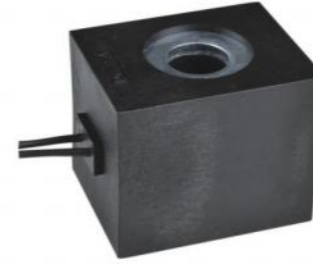
常规电压 Normal Voltage	DC24V	
常规功率 Normal Power	AC	
	DC	3W
其他特种电压、特种功率可定做 Other voltage and power can be customized		
绝缘等级 Insulation Class	H	
线圈连接方式 Connection Type	电缆式 Connector Type Cable	

产品编号/Product No.SB949 外观图/Overall Dimension
产品型号/Product Type XY13402



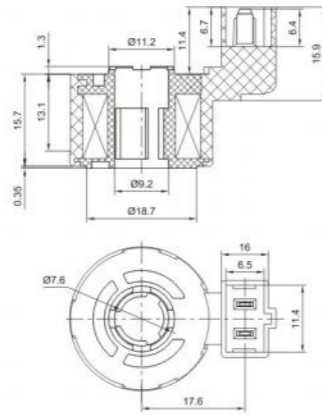
常规电压 Normal Voltage	DC24V	
常规功率 Normal Power	AC	
	DC	18W
其他特种电压、特种功率可定做 Other voltage and power can be customized		
绝缘等级 Insulation Class	H	
线圈连接方式 Connection Type	压接式 Screw Connection	

产品编号/Product No.SB958 外观图/Overall Dimension
产品型号/Product Type XY5P13-B



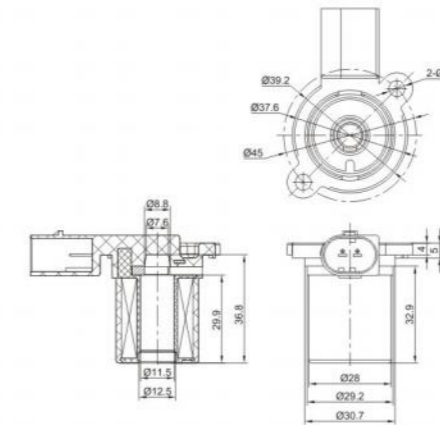
常规电压 Normal Voltage	DC24V	
常规功率 Normal Power	AC	
	DC	96W
其他特种电压、特种功率可定做 Other voltage and power can be customized		
绝缘等级 Insulation Class	H	
线圈连接方式 Connection Type	引线式 With Flying leads	

产品编号/Product No.SB954 外观图/Overall Dimension
产品型号/Product Type XYGJ04



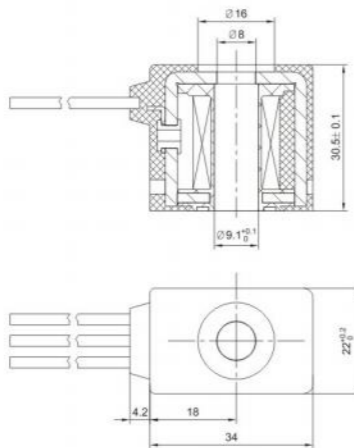
常规电压 Normal Voltage		
常规功率 Normal Power	AC	
	DC	
其他特种电压、特种功率可定做 Other voltage and power can be customized		
绝缘等级 Insulation Class	N	
线圈连接方式 Connection Type	2.8 X 0.8	

产品编号/Product No.SB960 外观图/Overall Dimension
产品型号/Product Type WABC004



常规电压 Normal Voltage	DC12V	
常规功率 Normal Power	AC	
	DC	9W
其他特种电压、特种功率可定做 Other voltage and power can be customized		
绝缘等级 Insulation Class	H	
线圈连接方式 Connection Type	DEUTCH	

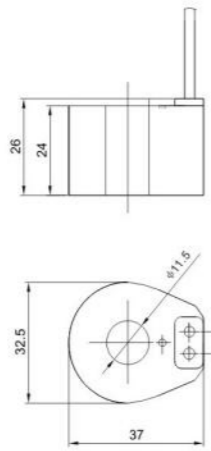
产品编号/Product No.SB957 外观图/Overall Dimension
产品型号/Product Type 210Z-3X



常规电压 Normal Voltage	DC6V	
常规功率 Normal Power	AC	
	DC	9W
其他特种电压、特种功率可定做 Other voltage and power can be customized		
绝缘等级 Insulation Class	H	
线圈连接方式 Connection Type	引线式 With Flying leads	

◎ 产品编号/Product No.SB043
产品型号/Product Type DHF

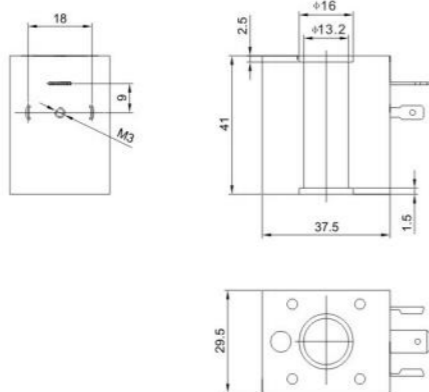
外观图/Overall Dimension



常规电压 Normal Voltage	AC220V AC110V DC24V DC12V	
常规功率 Normal Power	AC	7VA
	DC	7W
其他特种电压、特种功率可定做 Other voltage and power can be customized		
绝缘等级 Insulation Class	F、H	
线圈连接方式 Connection Type	引线式 With Flying Leads	

◎ 产品编号/Product No.SB050
产品型号/Product Type 0200

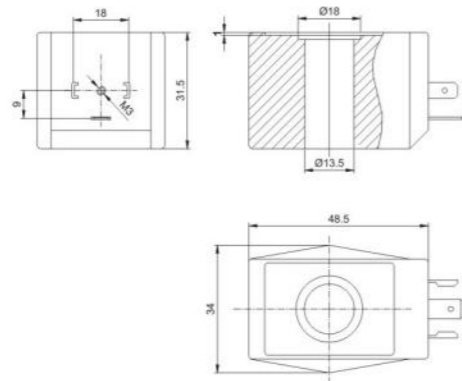
外观图/Overall Dimension



常规电压 Normal Voltage	AC220V AC110V DC24V DC12V	
常规功率 Normal Power	AC	9VA 15VA 20VA
	DC	11W 12W 15W
其他特种电压、特种功率可定做 Other voltage and power can be customized		
绝缘等级 Insulation Class	F、H	
线圈连接方式 Connection Type	DIN43650A	

◎ 产品编号/Product No.SB054
产品型号/Product Type AB310

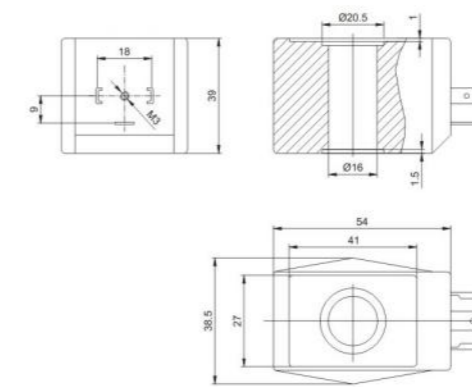
外观图/Overall Dimension



常规电压 Normal Voltage	AC220V AC110V DC24V	
常规功率 Normal Power	AC	15VA
	DC	11W、13W
其他特种电压、特种功率可定做 Other voltage and power can be customized		
绝缘等级 Insulation Class	H	
线圈连接方式 Connection Type	DIN43650A	

◎ 产品编号/Product No.SB055
产品型号/Product Type AB410A

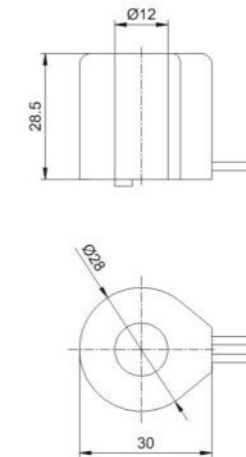
外观图/Overall Dimension



常规电压 Normal Voltage	AC220V AC110V AC24V DC12V	
常规功率 Normal Power	AC	26VA
	DC	18W
其他特种电压、特种功率可定做 Other voltage and power can be customized		
绝缘等级 Insulation Class	H	
线圈连接方式 Connection Type	D2N43650A	

◎ 产品编号/Product No.SB069
产品型号/Product Type ZQ-B

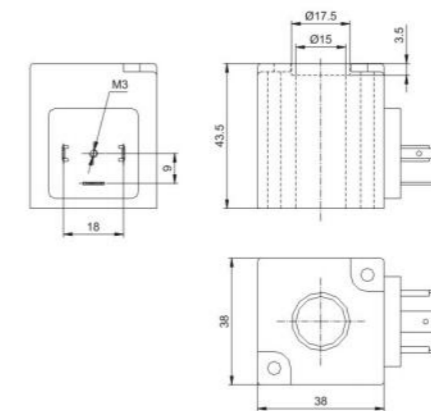
外观图/Overall Dimension



常规电压 Normal Voltage	AC220V AC110V DC24V	
常规功率 Normal Power	AC	10VA
	DC	6W
其他特种电压、特种功率可定做 Other voltage and power can be customized		
绝缘等级 Insulation Class	H	
线圈连接方式 Connection Type	引线式 With Flying Leads	

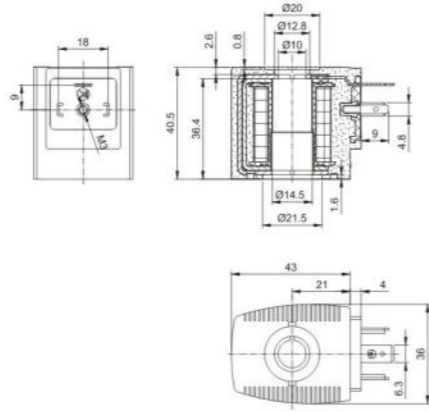
◎ 产品编号/Product No.SB084
产品型号/Product Type K23D-2H

外观图/Overall Dimension



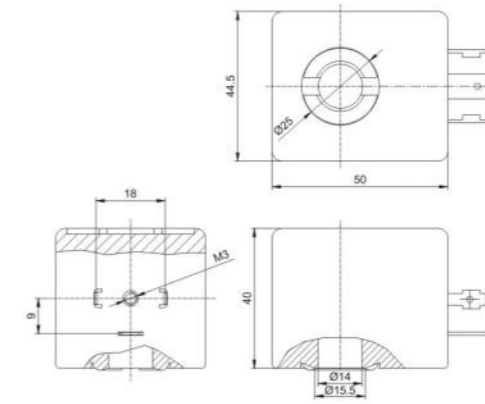
常规电压 Normal Voltage	AC220V AC110V DC24V DC12V	
常规功率 Normal Power	AC	13VA
	DC	11.5W
其他特种电压、特种功率可定做 Other voltage and power can be customized		
绝缘等级 Insulation Class	H	
线圈连接方式 Connection Type	DIN43650A	

◎ 产品编号/Product No.SB086 外观图/Overall Dimension
产品型号/Product Type BD-A-03



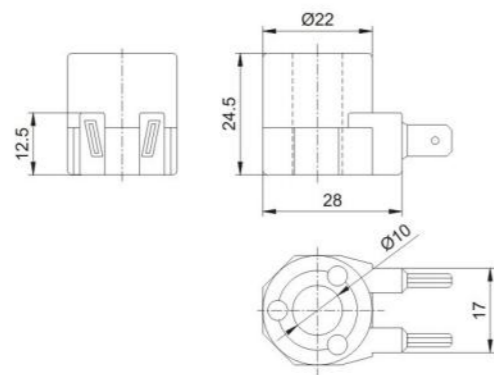
常规电压 Normal Voltage	AC220V AC110V DC24V DC12V	
常规功率 Normal Power	AC	22VA
	DC	9W 16W
其他特种电压、特种功率可定做 Other voltage and power can be customized		
绝缘等级 Insulation Class	H	
线圈连接方式 Connection Type	DIN43650A	

◎ 产品编号/Product No.SB255 外观图/Overall Dimension
产品型号/Product Type A051



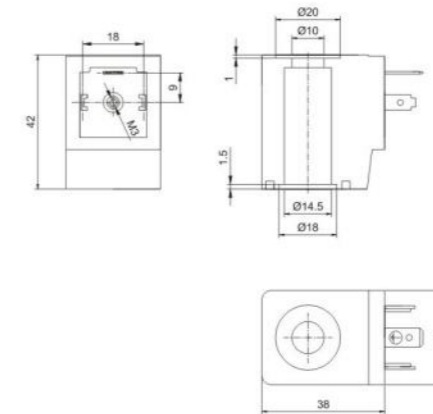
常规电压 Normal Voltage	AC220V AC110V DC24V	
常规功率 Normal Power	AC	28VA
	DC	18W
其他特种电压、特种功率可定做 Other voltage and power can be customized		
绝缘等级 Insulation Class	H	
线圈连接方式 Connection Type	DIN43650A	

◎ 产品编号/Product No.SB089 外观图/Overall Dimension
产品型号/Product Type AN1024



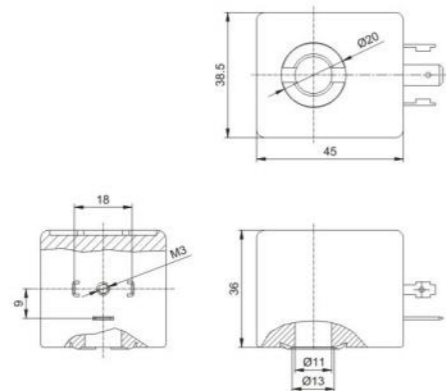
常规电压 Normal Voltage	AC24V DC24V DC12V	
常规功率 Normal Power	AC	8VA
	DC	3W、10W、13W
其他特种电压、特种功率可定做 Other voltage and power can be customized		
绝缘等级 Insulation Class	F、H	
线圈连接方式 Connection Type	6.3x0.8mm	

◎ 产品编号/Product No.SB256 外观图/Overall Dimension
产品型号/Product Type 0543



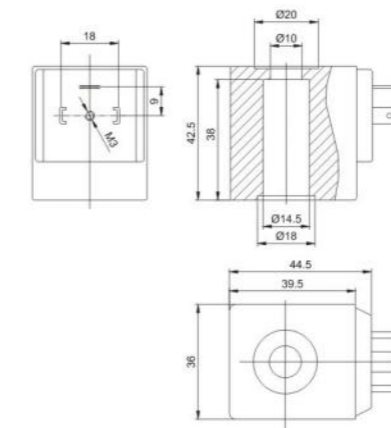
常规电压 Normal Voltage	AC220V AC110V AC24V DC12V	
常规功率 Normal Power	AC	22VA 25VA
	DC	12W 14W 20W
其他特种电压、特种功率可定做 Other voltage and power can be customized		
绝缘等级 Insulation Class	H	
线圈连接方式 Connection Type	DIN43650A	

◎ 产品编号/Product No.SB254 外观图/Overall Dimension
产品型号/Product Type A044



常规电压 Normal Voltage	AC220V AC110V DC24V DC12V	
常规功率 Normal Power	AC	20VA
	DC	21W
其他特种电压、特种功率可定做 Other voltage and power can be customized		
绝缘等级 Insulation Class	H	
线圈连接方式 Connection Type	DIN43650A	

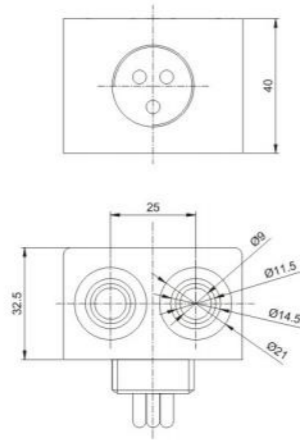
◎ 产品编号/Product No.SB257 外观图/Overall Dimension
产品型号/Product Type 0545



常规电压 Normal Voltage	AC220V AC110V DC24V DC12V	
常规功率 Normal Power	AC	28VA
	DC	14W 18W 20W
其他特种电压、特种功率可定做 Other voltage and power can be customized		
绝缘等级 Insulation Class	H	
线圈连接方式 Connection Type	DIN43650A	

产品编号/Product No.SB258
产品型号/Product Type PF2-L

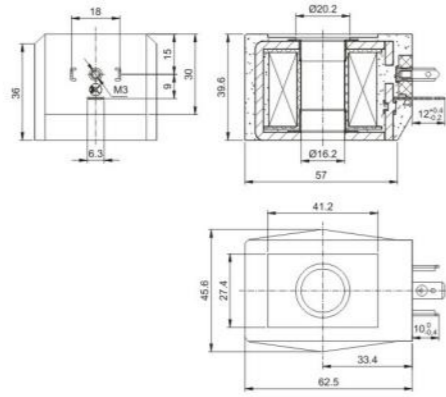
外观图/Overall Dimension



常规电压 Normal Voltage	DC24V DC12V	
常规功率 Normal Power	AC	
	DC	8W x 2
其他特种电压、特种功率可定做 Other voltage and power can be customized		
绝缘等级 Insulation Class	H	
线圈连接方式 Connection Type	带螺纹接头 Pin Type With Screw	

产品编号/Product No.SB260
产品型号/Product Type AB510

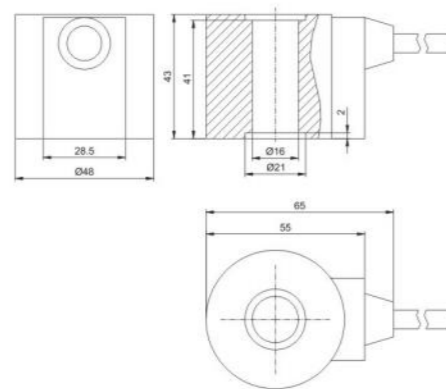
外观图/Overall Dimension



常规电压 Normal Voltage	AC220V AC110V DC24V DC24V	
常规功率 Normal Power	AC	45VA
	DC	31W
其他特种电压、特种功率可定做 Other voltage and power can be customized		
绝缘等级 Insulation Class	H	
线圈连接方式 Connection Type	DIN43650A	

产品编号/Product No.SB278
产品型号/Product Type 16431

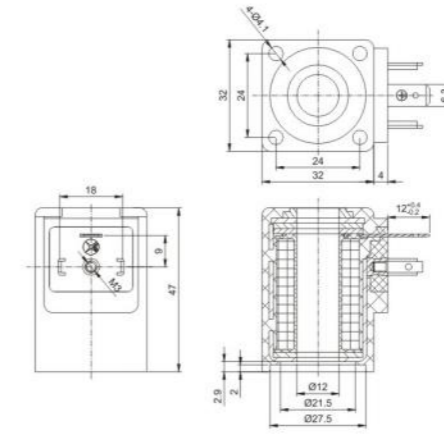
外观图/Overall Dimension



常规电压 Normal Voltage	AC220V AC110V AC24V DC24V DC12V	
常规功率 Normal Power	AC	22VA
	DC	18W
其他特种电压、特种功率可定做 Other voltage and power can be customized		
绝缘等级 Insulation Class	H	
线圈连接方式 Connection Type	电缆式 With Flying Leads	

产品编号/Product No.SB291
产品型号/Product Type BD12483

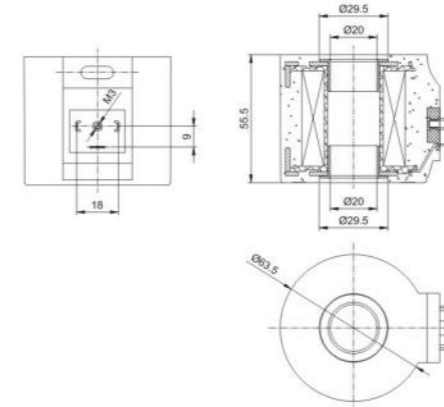
外观图/Overall Dimension



常规电压 Normal Voltage	AC220V AC110V DC24V DC12V	
常规功率 Normal Power	AC	15VA
	DC	12W
其他特种电压、特种功率可定做 Other voltage and power can be customized		
绝缘等级 Insulation Class	H	
线圈连接方式 Connection Type	DIN43650A	

产品编号/Product No.SB298
产品型号/Product Type XY20553

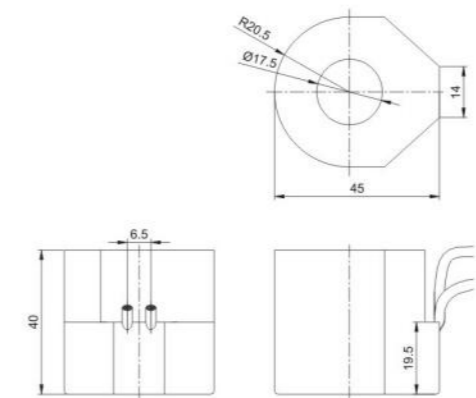
外观图/Overall Dimension



常规电压 Normal Voltage	AC220V AC110V DC24V DC12V	
常规功率 Normal Power	AC	28VA
	DC	30W 38W
其他特种电压、特种功率可定做 Other voltage and power can be customized		
绝缘等级 Insulation Class	H	
线圈连接方式 Connection Type	DIN43650A	

产品编号/Product No.SB401
产品型号/Product Type MP-C-011

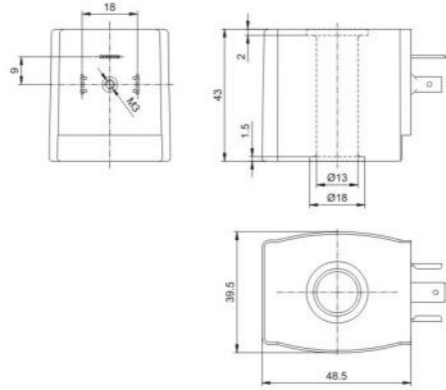
外观图/Overall Dimension



常规电压 Normal Voltage	AC220V AC110V DC24V DC12V	
常规功率 Normal Power	AC	28VA
	DC	30W
其他特种电压、特种功率可定做 Other voltage and power can be customized		
绝缘等级 Insulation Class	H	
线圈连接方式 Connection Type	引线式 With Flying Leads	

产品编号/Product No. SB428
产品型号/Product Type 0210B

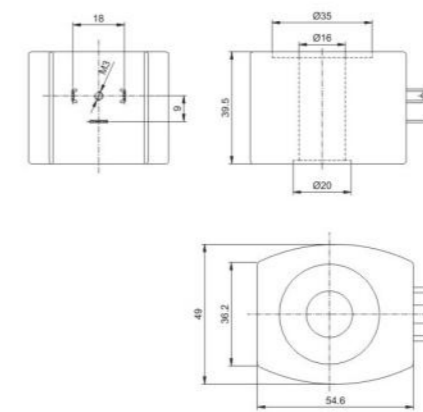
外观图/Overall Dimension



常规电压 Normal Voltage	AC220V AC380V AC110V DC24V	
常规功率 Normal Power	AC	4.8W、6.8W
	DC	14W
其他特种电压、特种功率可定做 Other voltage and power can be customized		
绝缘等级 Insulation Class	H	
线圈连接方式 Connection Type	DIN43650A	

产品编号/Product No. SB495
产品型号/Product Type HN16393

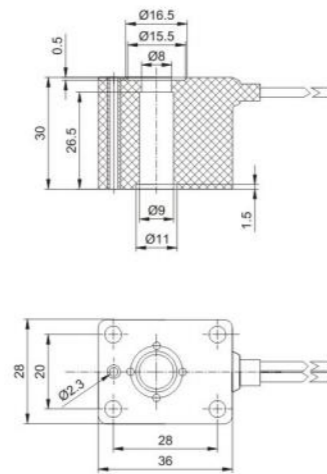
外观图/Overall Dimension



常规电压 Normal Voltage	AC220V DC24V	
常规功率 Normal Power	AC	26VA
	DC	19W
其他特种电压、特种功率可定做 Other voltage and power can be customized		
绝缘等级 Insulation Class	H	
线圈连接方式 Connection Type	DIN43650A	

产品编号/Product No. SB440
产品型号/Product Type XY09302

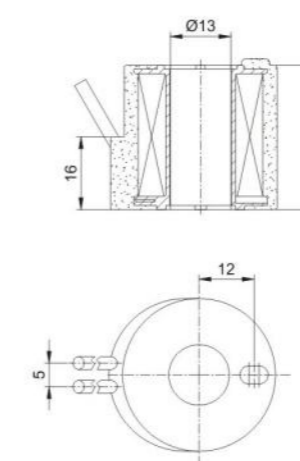
外观图/Overall Dimension



常规电压 Normal Voltage	DC12V DC24V	
常规功率 Normal Power	AC	
	DC	4.5W
其他特种电压、特种功率可定做 Other voltage and power can be customized		
绝缘等级 Insulation Class	H	
线圈连接方式 Connection Type	引线式 With Flying Leads	

产品编号/Product No. SB508
产品型号/Product Type RA-A

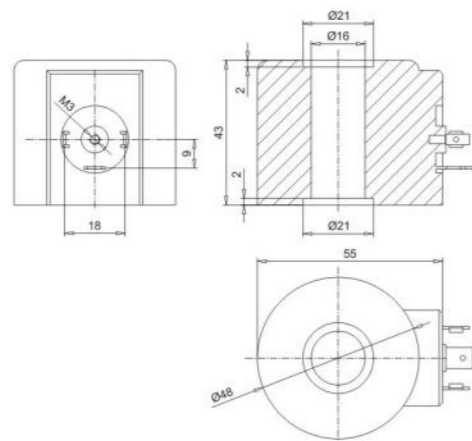
外观图/Overall Dimension



常规电压 Normal Voltage	AC220V DC24V	
常规功率 Normal Power	AC	22VA
	DC	14.5W
其他特种电压、特种功率可定做 Other voltage and power can be customized		
绝缘等级 Insulation Class	H	
线圈连接方式 Connection Type	引线式 With Flying Leads	

产品编号/Product No. SB474
产品型号/Product Type 16433

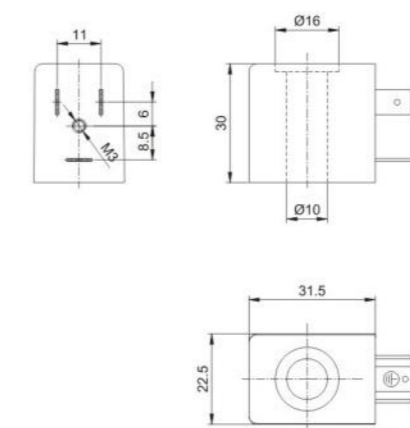
外观图/Overall Dimension



常规电压 Normal Voltage	AC220V AC110V DC24V DC12V	
常规功率 Normal Power	AC	28VA
	DC	18W、23W
其他特种电压、特种功率可定做 Other voltage and power can be customized		
绝缘等级 Insulation Class	H	
线圈连接方式 Connection Type	DIN43650A	

产品编号/Product No. SB516
产品型号/Product Type 210D-10

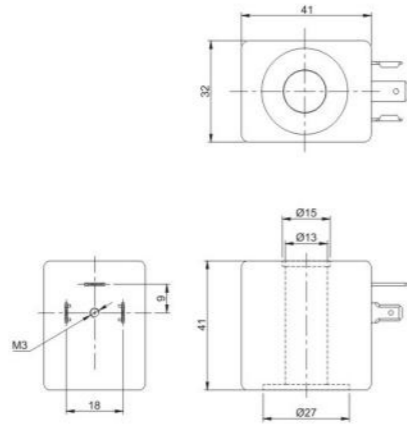
外观图/Overall Dimension



常规电压 Normal Voltage	AC220V AC110V AC24V DC24V DC12V	
常规功率 Normal Power	AC	5VA、6VA、8VA
	DC	3W、6W
其他特种电压、特种功率可定做 Other voltage and power can be customized		
绝缘等级 Insulation Class	H	
线圈连接方式 Connection Type	DIN43650B	

◎ 产品编号/Product No.SB547
产品型号/Product Type 0200D

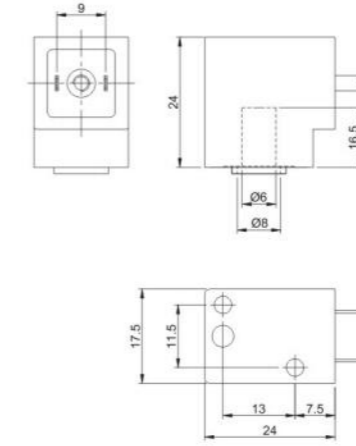
外观图/Overall Dimension



常规电压 Normal Voltage	AC220V AC110V DC24V DC12V	
常规功率 Normal Power	AC	15VA
	DC	12W
其他特种电压、特种功率可定做 Other voltage and power can be customized		
绝缘等级 Insulation Class	F、H	
线圈连接方式 Connection Type	DIN43650A	

◎ 产品编号/Product No.SB559
产品型号/Product Type XY1005

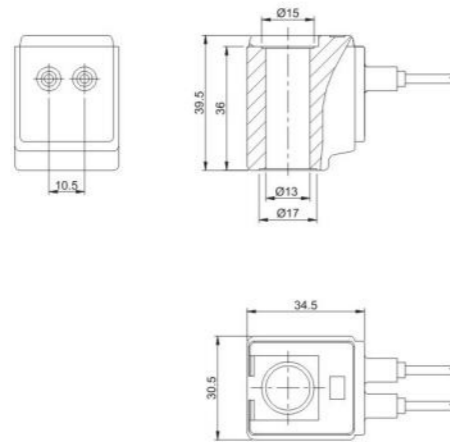
外观图/Overall Dimension



常规电压 Normal Voltage	DC110V	
常规功率 Normal Power	AC	
	DC	30W
其他特种电压、特种功率可定做 Other voltage and power can be customized		
绝缘等级 Insulation Class	H	
线圈连接方式 Connection Type	DIN43650C	

◎ 产品编号/Product No.SB548
产品型号/Product Type SHY13402X

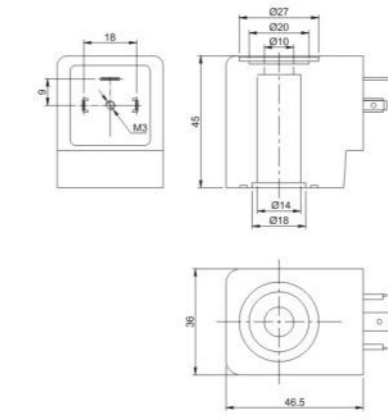
外观图/Overall Dimension



常规电压 Normal Voltage	AC220V AC110V DC24V DC12V	
常规功率 Normal Power	AC	
	DC	18W
其他特种电压、特种功率可定做 Other voltage and power can be customized		
绝缘等级 Insulation Class	H	
线圈连接方式 Connection Type	引线式 With Flying Leads	

◎ 产品编号/Product No.SB568
产品型号/Product Type 0545EX

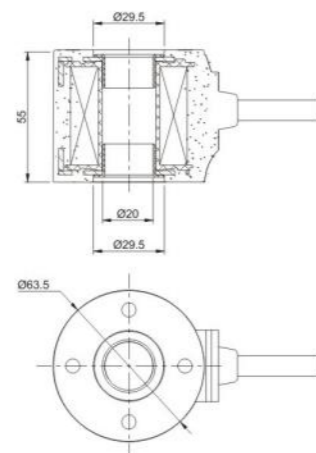
外观图/Overall Dimension



常规电压 Normal Voltage	AC220V AC110V DC24V DC12V	
常规功率 Normal Power	AC	3.8VA
	DC	3W
其他特种电压、特种功率可定做 Other voltage and power can be customized		
绝缘等级 Insulation Class	H	
线圈连接方式 Connection Type	DIN43650A	

◎ 产品编号/Product No.SB558
产品型号/Product Type XY20551

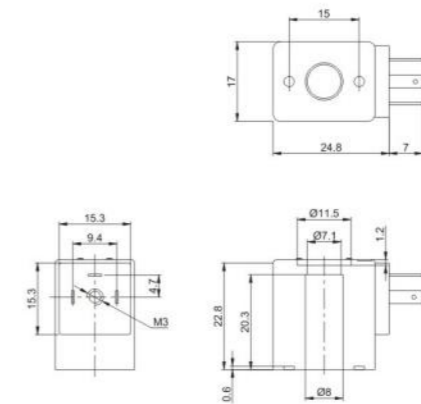
外观图/Overall Dimension



常规电压 Normal Voltage	AC220V AC110V DC24V DC12V	
常规功率 Normal Power	AC	28VA
	DC	30W 38W
其他特种电压、特种功率可定做 Other voltage and power can be customized		
绝缘等级 Insulation Class	F、H	
线圈连接方式 Connection Type	电缆式 Connector type Cable	

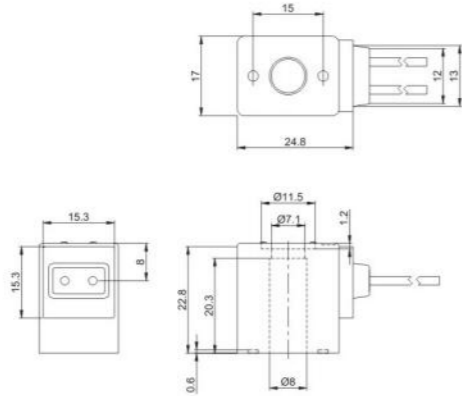
◎ 产品编号/Product No.SB578
产品型号/Product Type AU4V110

外观图/Overall Dimension



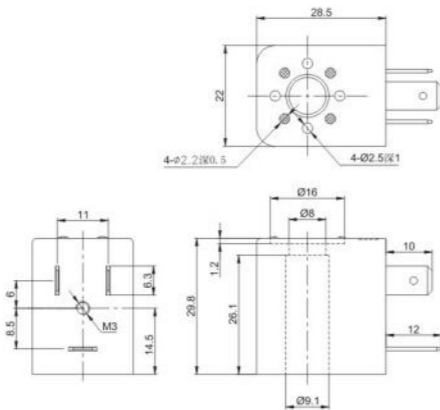
常规电压 Normal Voltage	AC220V AC110V DC24V DC12V	
常规功率 Normal Power	AC	3VA、5VA
	DC	2.5W、2.8W
其他特种电压、特种功率可定做 Other voltage and power can be customized		
绝缘等级 Insulation Class	F、H	
线圈连接方式 Connection Type	DIN43650C	

◎ 产品编号/Product No.SB578F 外观图/Overall Dimension
产品型号/Product Type AU4V110X



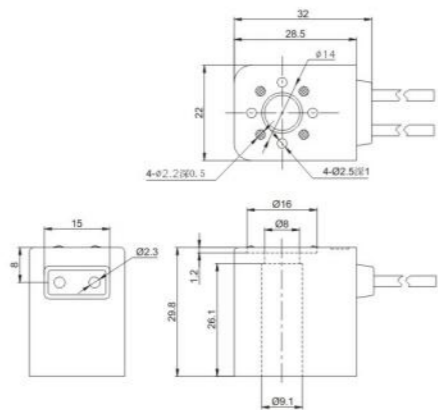
常规电压 Normal Voltage	AC220V AC110V DC24V DC12V	
常规功率 Normal Power	AC	5VA
	DC	3W
其他特种电压、特种功率可定做 Other voltage and power can be customized		
绝缘等级 Insulation Class	F、H	
线圈连接方式 Connection Type	引线式 With Flying Leads	

◎ 产品编号/Product No.SB579 外观图/Overall Dimension
产品型号/Product Type AU4V210



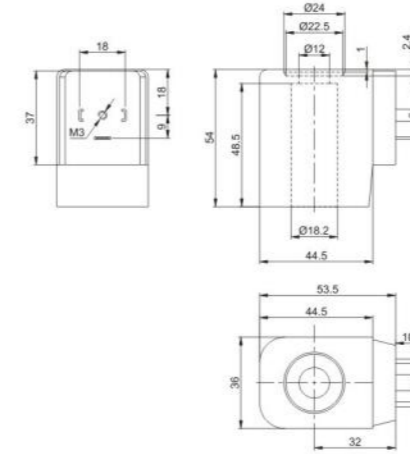
常规电压 Normal Voltage	AC220V AC110V DC24V DC12V	
常规功率 Normal Power	AC	4VA 5.5VA
	DC	3W 4.8W
其他特种电压、特种功率可定做 Other voltage and power can be customized		
绝缘等级 Insulation Class	F、H	
线圈连接方式 Connection Type	DIN43650B	

◎ 产品编号/Product No.SB579F 外观图/Overall Dimension
产品型号/Product Type AU4V210X



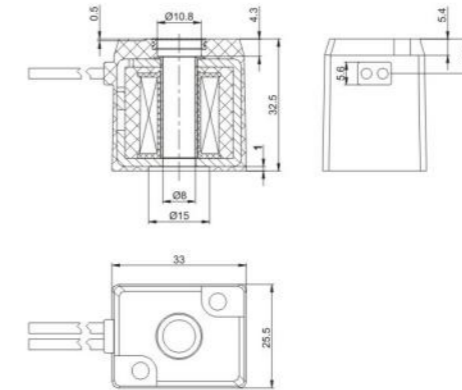
常规电压 Normal Voltage	AC220V AC110V DC24V DC12V	
常规功率 Normal Power	AC	6.5VA
	DC	6W
其他特种电压、特种功率可定做 Other voltage and power can be customized		
绝缘等级 Insulation Class	F、H	
线圈连接方式 Connection Type	引线式 With Flying Leads	

◎ 产品编号/Product No.SB582 外观图/Overall Dimension
产品型号/Product Type GSR0545



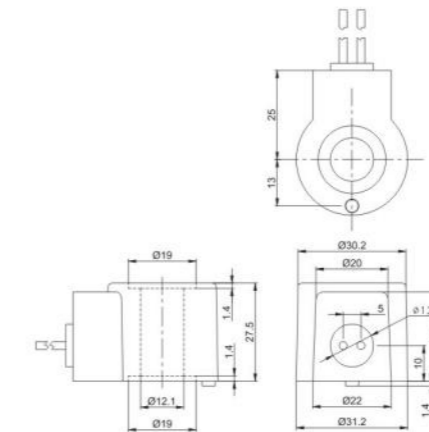
常规电压 Normal Voltage	DC24V DC12V	
常规功率 Normal Power	AC	
	DC	25W
其他特种电压、特种功率可定做 Other voltage and power can be customized		
绝缘等级 Insulation Class	H	
线圈连接方式 Connection Type	DIN43650A	

◎ 产品编号/Product No.SB583 外观图/Overall Dimension
产品型号/Product Type 3130H



常规电压 Normal Voltage	RAC220V RAC24V DC24V DC12V	
常规功率 Normal Power	RAC	6.8W
	DC	5.8W、8.5W
其他特种电压、特种功率可定做 Other voltage and power can be customized		
绝缘等级 Insulation Class	H	
线圈连接方式 Connection Type	引线式 With Flying Leads	

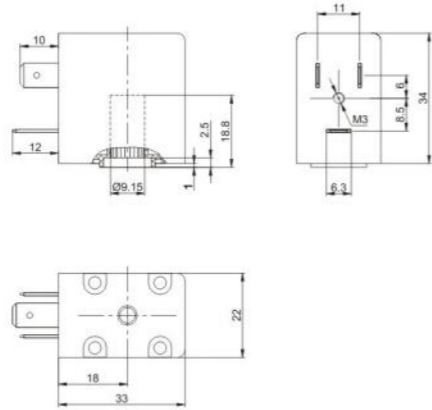
◎ 产品编号/Product No.SB590 外观图/Overall Dimension
产品型号/Product Type KR-3-2



常规电压 Normal Voltage	DC24V DC12V	
常规功率 Normal Power	AC	
	DC	9W
其他特种电压、特种功率可定做 Other voltage and power can be customized		
绝缘等级 Insulation Class	H	
线圈连接方式 Connection Type	引线式 With Flying Leads	

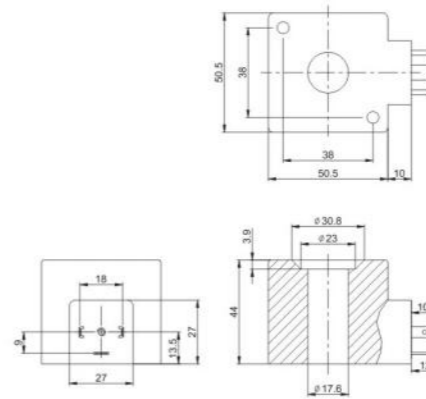
产品编号/Product No.SB591
产品型号/Product Type 0307

外观图/Overall Dimension



常规电压 Normal Voltage	DC24V DC12V	
常规功率 Normal Power	AC	
	DC	79.5W
其他特种电压、特种功率可定做 Other voltage and power can be customized		
绝缘等级 Insulation Class	H	
线圈连接方式 Connection Type	DIN43650B	

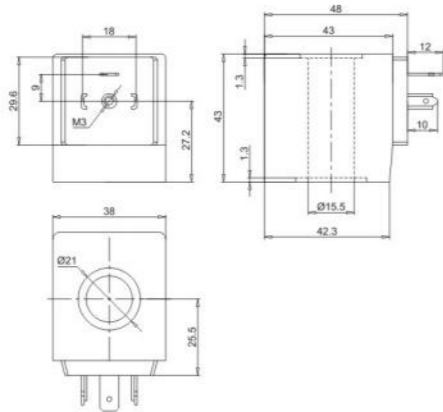
产品编号/Product No.SB713
产品型号/Product Type K23D-3H



常规电压 Normal Voltage	AC220V DC110V DC24V	
常规功率 Normal Power	AC	22VA
	DC	10W
其他特种电压、特种功率可定做 Other voltage and power can be customized		
绝缘等级 Insulation Class	H	
线圈连接方式 Connection Type	DIN43650A	

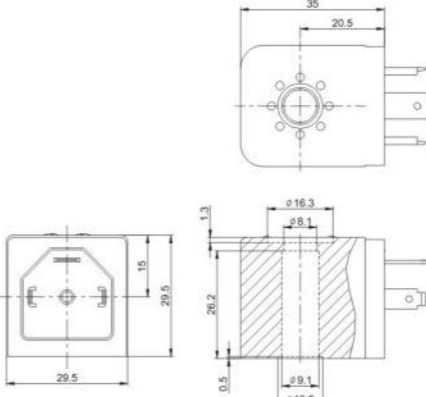
产品编号/Product No.SB710
产品型号/Product Type 0545-15

外观图/Overall Dimension



常规电压 Normal Voltage	AC220V AC110V DC24V	
常规功率 Normal Power	AC	25VA
	DC	12W
其他特种电压、特种功率可定做 Other voltage and power can be customized		
绝缘等级 Insulation Class	H	
线圈连接方式 Connection Type	DIN43650A	

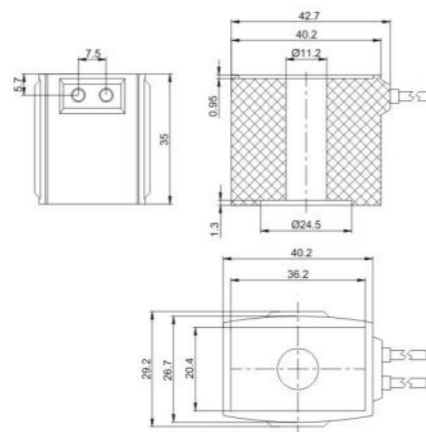
产品编号/Product No.SB717
产品型号/Product Type XY09303-G



常规电压 Normal Voltage	AC220V DC24V	
常规功率 Normal Power	AC	10VA
	DC	6W
其他特种电压、特种功率可定做 Other voltage and power can be customized		
绝缘等级 Insulation Class	H	
线圈连接方式 Connection Type	DIN43650A	

产品编号/Product No.SB711
产品型号/Product Type V2A-021

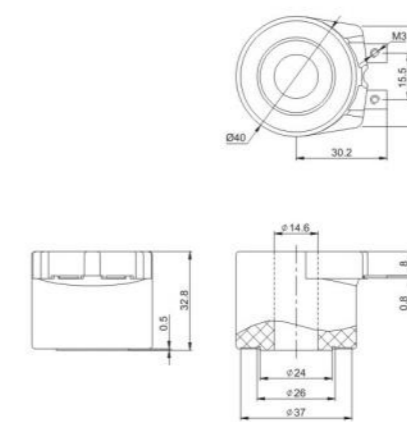
外观图/Overall Dimension



常规电压 Normal Voltage	AC220V AC110V DC24V	
常规功率 Normal Power	AC	13VA
	DC	10W
其他特种电压、特种功率可定做 Other voltage and power can be customized		
绝缘等级 Insulation Class	H	
线圈连接方式 Connection Type	引线式 With Flying Leads	

产品编号/Product No.SB721
产品型号/Product Type TK14332

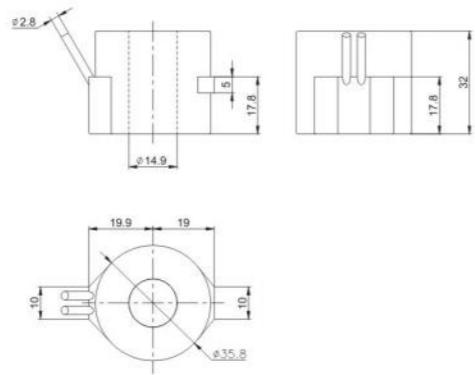
外观图/Overall Dimension



常规电压 Normal Voltage	AC220V AC110V DC24V DC12V	
常规功率 Normal Power	AC	28VA
	DC	14W
其他特种电压、特种功率可定做 Other voltage and power can be customized		
绝缘等级 Insulation Class	H	
线圈连接方式 Connection Type	螺钉压板式 Screw Pressure Plate	

产品编号/Product No.SB730
产品型号/Product Type RA-D

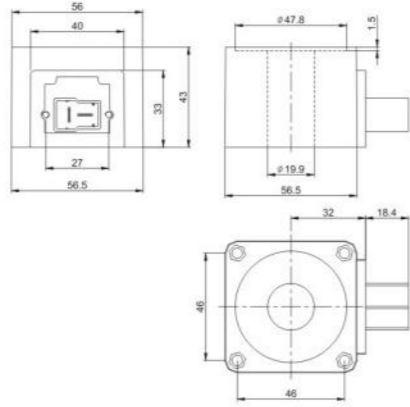
外观图/Overall Dimension



常规电压 Normal Voltage	DC24V DC12V	
常规功率 Normal Power	AC	
	DC	44W
其他特种电压、特种功率可定做 Other voltage and power can be customized		
绝缘等级 Insulation Class	H	
线圈连接方式 Connection Type	引线式 With Flying Leads	

产品编号/Product No.SB732
产品型号/Product Type XY20432

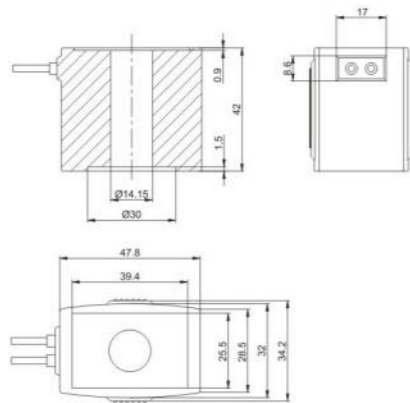
外观图/Overall Dimension



常规电压 Normal Voltage	DC24V DC12V	
常规功率 Normal Power	AC	
	DC	15W
其他特种电压、特种功率可定做 Other voltage and power can be customized		
绝缘等级 Insulation Class	H	
线圈连接方式 Connection Type	6.3 x 0.8	

产品编号/Product No.SB734
产品型号/Product Type V2A-031

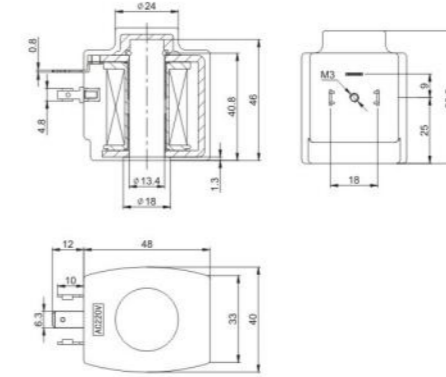
外观图/Overall Dimension



常规电压 Normal Voltage	DC24V DC12V	
常规功率 Normal Power	AC	
	DC	20W
其他特种电压、特种功率可定做 Other voltage and power can be customized		
绝缘等级 Insulation Class	H	
线圈连接方式 Connection Type	引线式 With Flying Leads	

产品编号/Product No.SB735
产品型号/Product Type 0210C

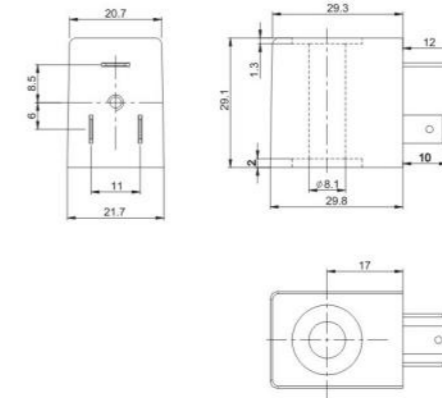
外观图/Overall Dimension



常规电压 Normal Voltage	AC380V AC220V DC24V DC12V	
常规功率 Normal Power	AC	13VA 18VA
	DC	13W 18W
其他特种电压、特种功率可定做 Other voltage and power can be customized		
绝缘等级 Insulation Class	H	
线圈连接方式 Connection Type	DIN43650A	

产品编号/Product No.SB740
产品型号/Product Type 210D-8

外观图/Overall Dimension



常规电压 Normal Voltage	AC220V AC110V DC24V DC12V	
常规功率 Normal Power	AC	8VA
	DC	6.5W
其他特种电压、特种功率可定做 Other voltage and power can be customized		
绝缘等级 Insulation Class	H	
线圈连接方式 Connection Type	DIN43650B	

产品编号/Product No.SB762
产品型号/Product Type HT17

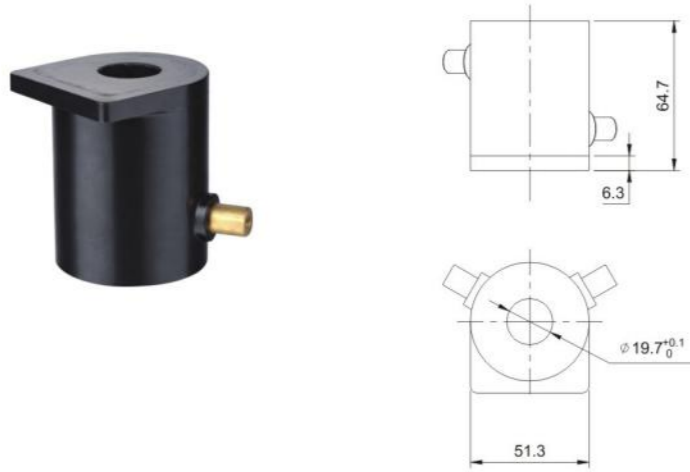
外观图/Overall Dimension



常规电压 Normal Voltage	DC110V, DC100V, DC50V, DC42V	
常规功率 Normal Power	AC	
	DC	10W, 16.5W
其他特种电压、特种功率可定做 Other voltage and power can be customized		
绝缘等级 Insulation Class	N	
线圈连接方式 Connection Type	引线式 With Flying leads	

产品编号/Product No.SB763
产品型号/Product Type HT19

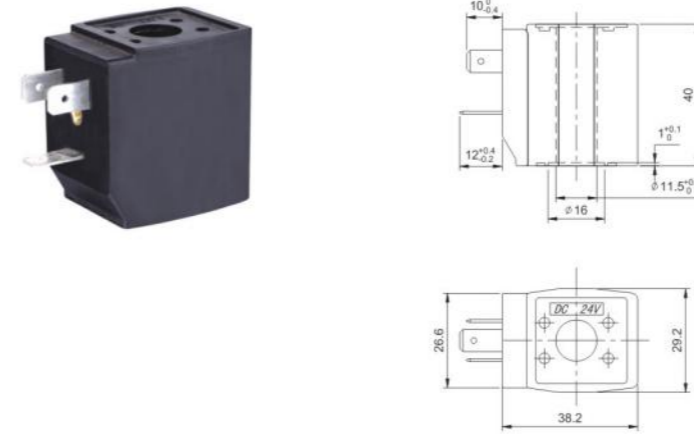
外观图/Overall Dimension



常规电压 Normal Voltage	DC50V、DC100V	
常规功率 Normal Power	AC	
	DC	16.5W
其他特种电压、特种功率可定做 Other voltage and power can be customized		
绝缘等级 Insulation Class	H	
线圈连接方式 Connection Type	螺纹式 With Screw	

产品编号/Product No.SB771
产品型号/Product Type XY11403

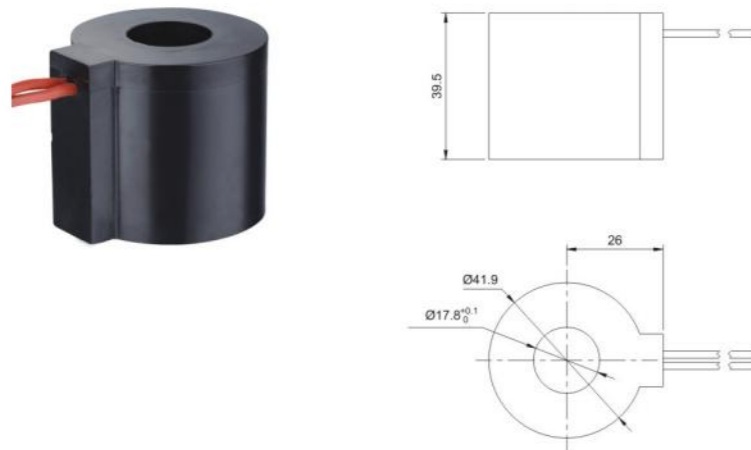
外观图/Overall Dimension



常规电压 Normal Voltage	DC24V	
常规功率 Normal Power	AC	
	DC	9W
其他特种电压、特种功率可定做 Other voltage and power can be customized		
绝缘等级 Insulation Class	H	
线圈连接方式 Connection Type	DIN43650B	

产品编号/Product No.SB766
产品型号/Product Type XY18392X

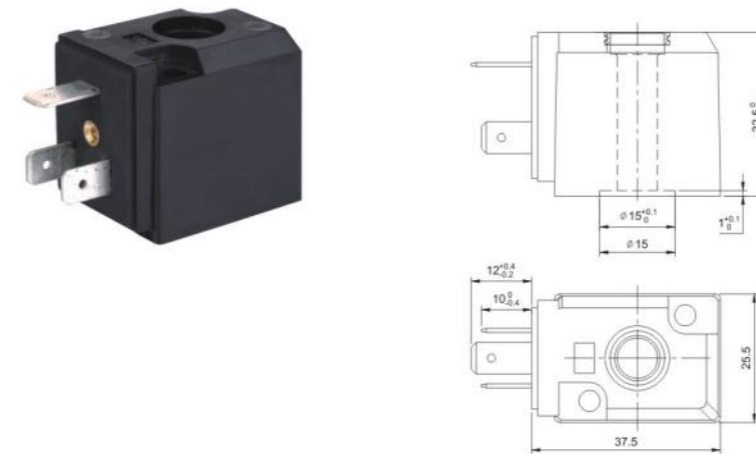
外观图/Overall Dimension



常规电压 Normal Voltage	AC220V	
常规功率 Normal Power	AC	18VA
	DC	
其他特种电压、特种功率可定做 Other voltage and power can be customized		
绝缘等级 Insulation Class	H	
线圈连接方式 Connection Type	引线式 With Flying leads	

产品编号/Product No.SB788
产品型号/Product Type 3130J

外观图/Overall Dimension



常规电压 Normal Voltage	AC220V AC110V DC24V DC12V	
常规功率 Normal Power	AC	8.5VA
	DC	8.5W、5.8W
其他特种电压、特种功率可定做 Other voltage and power can be customized		
绝缘等级 Insulation Class	H	
线圈连接方式 Connection Type	DIN43650B	

产品编号/Product No.SB767
产品型号/Product Type XY3506

外观图/Overall Dimension



常规电压 Normal Voltage	DC24V	
常规功率 Normal Power	AC	
	DC	22.5W
其他特种电压、特种功率可定做 Other voltage and power can be customized		
绝缘等级 Insulation Class	H	
线圈连接方式 Connection Type	DIN43650A	

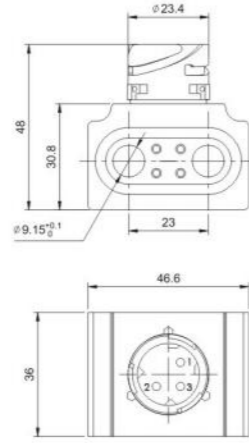
产品编号/Product No.SB789
产品型号/Product Type XY15302

外观图/Overall Dimension



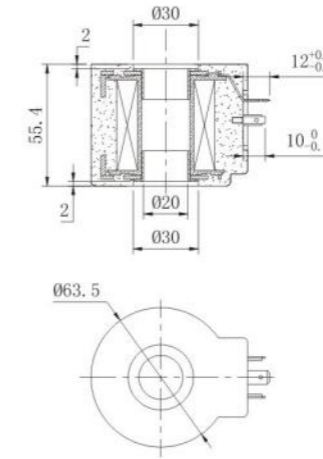
常规电压 Normal Voltage	DC12V DC24V	
常规功率 Normal Power	AC	
	DC	9W 12W 13W
其他特种电压、特种功率可定做 Other voltage and power can be customized		
绝缘等级 Insulation Class	H	
线圈连接方式 Connection Type	接插式 Meet & Insert Type	

产品编号/Product No.SB790 外观图/Overall Dimension
产品型号/Product Type ABS3550



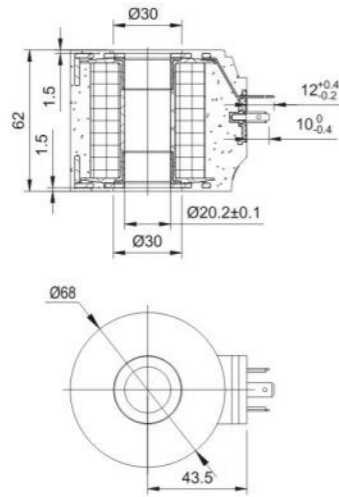
常规电压 Normal Voltage	DC24V	
常规功率 Normal Power	AC	
	DC	37.5W X 2
其他特种电压、特种功率可定做 Other voltage and power can be customized		
绝缘等级 Insulation Class	H	
线圈连接方式 Connection Type	接插式 Meet & Insert Type	

产品编号/Product No.SB798 外观图/Overall Dimension
产品型号/Product Type 20553EX



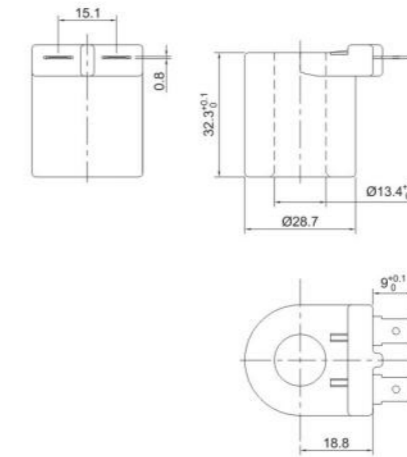
常规电压 Normal Voltage	AC220V	
常规功率 Normal Power	AC	28VA、33VA
	DC	30W、38W
其他特种电压、特种功率可定做 Other voltage and power can be customized		
绝缘等级 Insulation Class	H	
线圈连接方式 Connection Type	DIN43650A	

产品编号/Product No.SB792 外观图/Overall Dimension
产品型号/Product Type XY20623



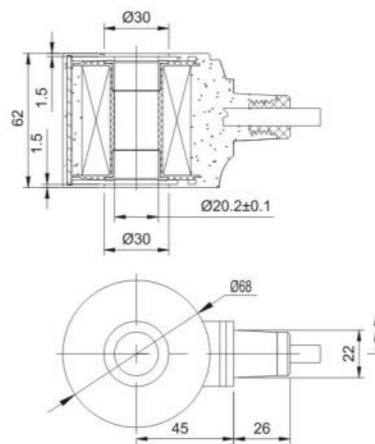
常规电压 Normal Voltage	AC220V、DC24V	
常规功率 Normal Power	AC	44VA
	DC	33W
其他特种电压、特种功率可定做 Other voltage and power can be customized		
绝缘等级 Insulation Class	H	
线圈连接方式 Connection Type	DIN43650A	

产品编号/Product No.SB800 外观图/Overall Dimension
产品型号/Product Type 539435



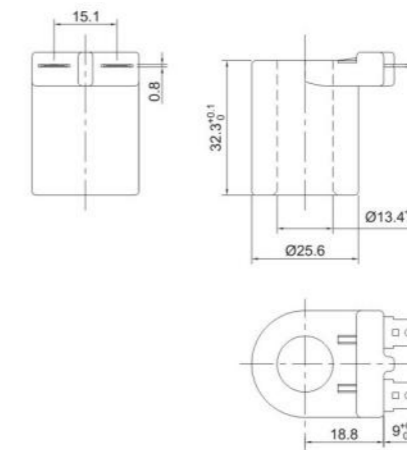
常规电压 Normal Voltage	DC12V	
常规功率 Normal Power	AC	
	DC	8W
其他特种电压、特种功率可定做 Other voltage and power can be customized		
绝缘等级 Insulation Class	H	
线圈连接方式 Connection Type	6.3 X 0.8	

产品编号/Product No.SB797 外观图/Overall Dimension
产品型号/Product Type XY20621



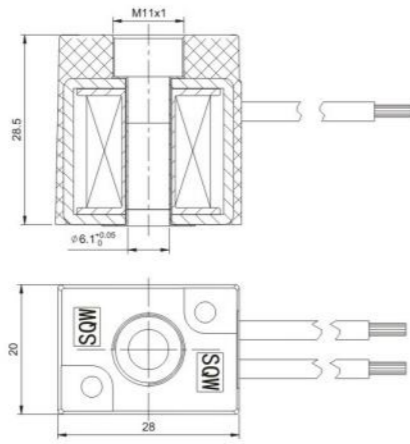
常规电压 Normal Voltage	AC220V、AC110V、DC24V、DC12V	
常规功率 Normal Power	AC	44VA
	DC	33W
其他特种电压、特种功率可定做 Other voltage and power can be customized		
绝缘等级 Insulation Class	H	
线圈连接方式 Connection Type	电缆式 Connector type Cable	

产品编号/Product No.SB801 外观图/Overall Dimension
产品型号/Product Type 539436



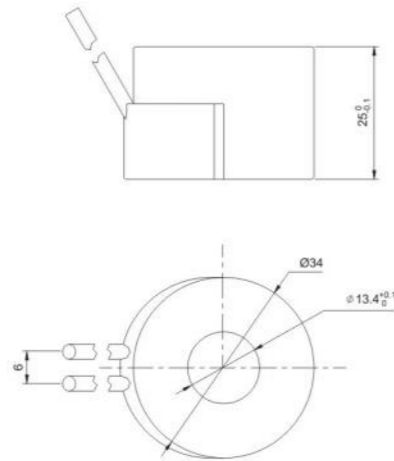
常规电压 Normal Voltage	AC230V AC115V AC12V	
常规功率 Normal Power	AC	
	DC	9.5W
其他特种电压、特种功率可定做 Other voltage and power can be customized		
绝缘等级 Insulation Class	H	
线圈连接方式 Connection Type	6.3 X 0.8	

产品编号/Product No.SB817 外观图/Overall Dimension
产品型号/Product Type QVT305X



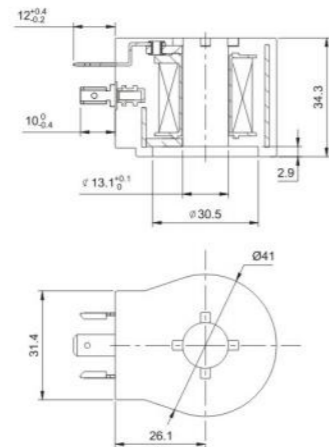
常规电压 Normal Voltage	RAC220V、RAC110V、DC24V、DC12V	
常规功率 Normal Power	RAC	4W
	DC	5.6W
其他特种电压、特种功率可定做 Other voltage and power can be customized		
绝缘等级 Insulation Class	H	
线圈连接方式 Connection Type	引线式 With Flying leads	

产品编号/Product No.SB822 外观图/Overall Dimension
产品型号/Product Type CS3A



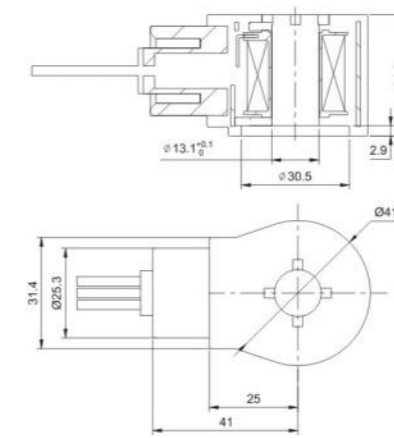
常规电压 Normal Voltage	AC220V、AC110V、AC24V、DC24V	
常规功率 Normal Power	VA	
	W	9W、10W、11W
其他特种电压、特种功率可定做 Other voltage and power can be customized		
绝缘等级 Insulation Class	N	
线圈连接方式 Connection Type	引线式 With Flying Leads	

产品编号/Product No.SB823 外观图/Overall Dimension
产品型号/Product Type HS3Y



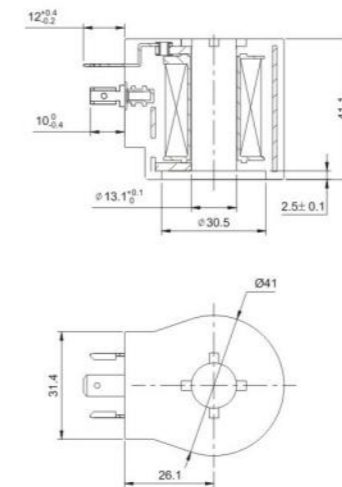
常规电压 Normal Voltage	AC220V、AC110V、AC24V、DC24V	
常规功率 Normal Power	AC	
	DC	9W、10W、11W
其他特种电压、特种功率可定做 Other voltage and power can be customized		
绝缘等级 Insulation Class	N	
线圈连接方式 Connection Type	DIN43650A	

产品编号/Product No.SB824 外观图/Overall Dimension
产品型号/Product Type HS3G



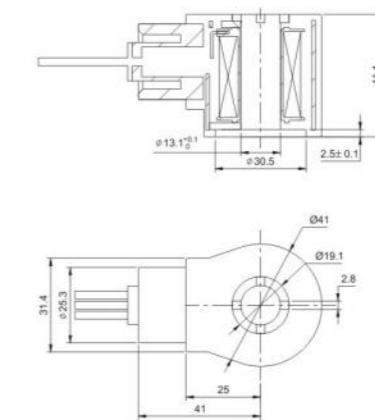
常规电压 Normal Voltage	AC220V、AC110V、AC24V、DC24V	
常规功率 Normal Power	AC	
	DC	9W、10W、11W
其他特种电压、特种功率可定做 Other voltage and power can be customized		
绝缘等级 Insulation Class	N	
线圈连接方式 Connection Type	引线式 With Flying leads	

产品编号/Product No.SB831 外观图/Overall Dimension
产品型号/Product Type HS4Y



常规电压 Normal Voltage	AC220V、AC110V、AC24V、DC12V	
常规功率 Normal Power	VA	
	W	10W、14W
其他特种电压、特种功率可定做 Other voltage and power can be customized		
绝缘等级 Insulation Class	N	
线圈连接方式 Connection Type	DIN43650A	

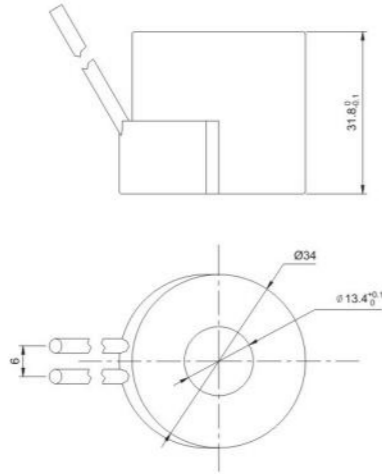
产品编号/Product No.SB832 外观图/Overall Dimension
产品型号/Product Type HS4G



常规电压 Normal Voltage	AC110V、AC24V、DC24V、DC12V	
常规功率 Normal Power	VA	
	W	10W、14W
其他特种电压、特种功率可定做 Other voltage and power can be customized		
绝缘等级 Insulation Class	N	
线圈连接方式 Connection Type	引线式 With Flying leads	

◎ 产品编号/Product No.SB833
产品型号/Product Type CS4A

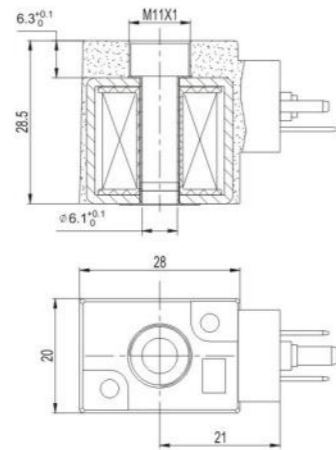
外观图/Overall Dimension



常规电压 Normal Voltage	AC110V、AC24V、DC24V、DC12V	
常规功率 Normal Power	AC	
	DC	10W、14W
其他特种电压、特种功率可定做 Other voltage and power can be customized		
绝缘等级 Insulation Class	N	
线圈连接方式 Connection Type	引线式 With Flying leads	

◎ 产品编号/Product No.SB867
产品型号/Product Type QVT306

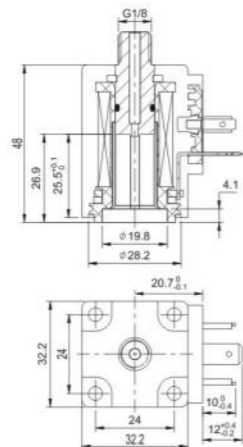
外观图/Overall Dimension



常规电压 Normal Voltage	RAC220V、RAV110V、DC24V	
常规功率 Normal Power	RAC	4W
	DC	5.7W
其他特种电压、特种功率可定做 Other voltage and power can be customized		
绝缘等级 Insulation Class	H	
线圈连接方式 Connection Type	2X0.8	

◎ 产品编号/Product No.SB870
产品型号/Product Type K54

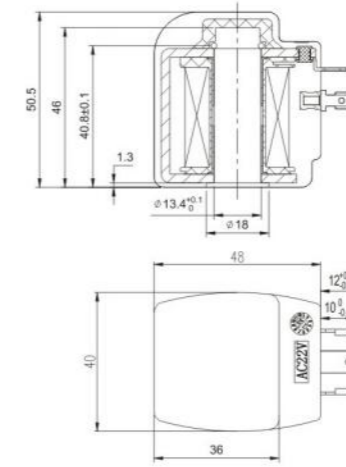
外观图/Overall Dimension



常规电压 Normal Voltage	DC24V	
常规功率 Normal Power	AC	
	DC	14W
其他特种电压、特种功率可定做 Other voltage and power can be customized		
绝缘等级 Insulation Class	H	
线圈连接方式 Connection Type	DIN43650A	

◎ 产品编号/Product No.SB878
产品型号/Product Type 0210D

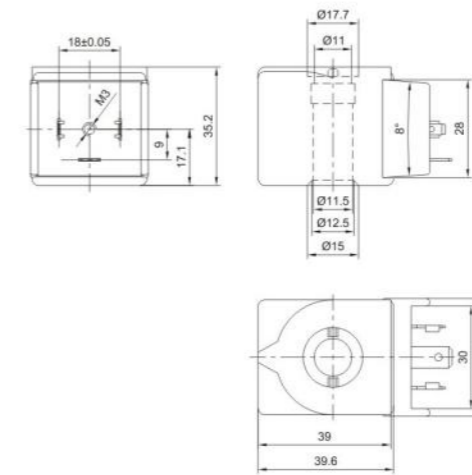
外观图/Overall Dimension



常规电压 Normal Voltage	AC220V	
常规功率 Normal Power	AC	6.8W
	DC	
其他特种电压、特种功率可定做 Other voltage and power can be customized		
绝缘等级 Insulation Class	H	
线圈连接方式 Connection Type	DIN43650A	

◎ 产品编号/Product No.SB880
产品型号/Product Type HY-A-RG

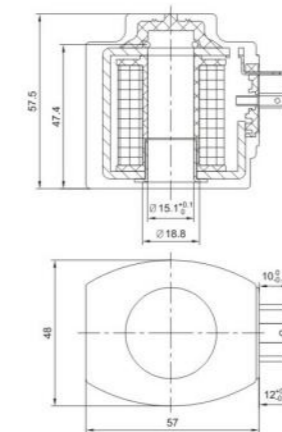
外观图/Overall Dimension



常规电压 Normal Voltage	AC220V AC380V	
常规功率 Normal Power	AC	8.4W
	DC	
其他特种电压、特种功率可定做 Other voltage and power can be customized		
绝缘等级 Insulation Class	H	
线圈连接方式 Connection Type	DIN43650A	

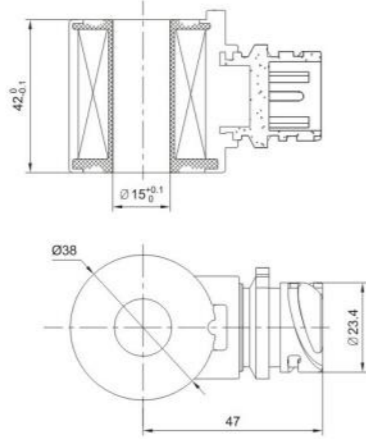
◎ 产品编号/Product No.SB896
产品型号/Product Type HS15583-D

外观图/Overall Dimension



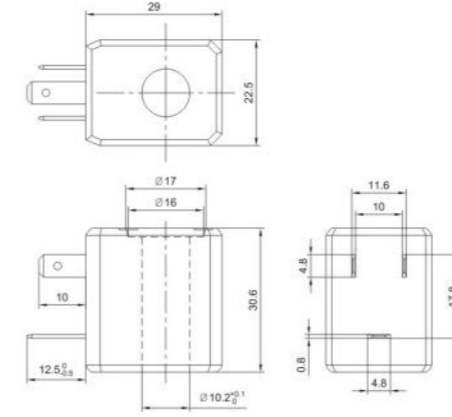
常规电压 Normal Voltage	AC220V AV110V DC24V DC12V	
常规功率 Normal Power	AC	13W 19W 24W
	DC	24W
其他特种电压、特种功率可定做 Other voltage and power can be customized		
绝缘等级 Insulation Class	H	
线圈连接方式 Connection Type	DIN43650A	

产品编号/Product No.SB899 外观图/Overall Dimension
产品型号/Product Type TX15422



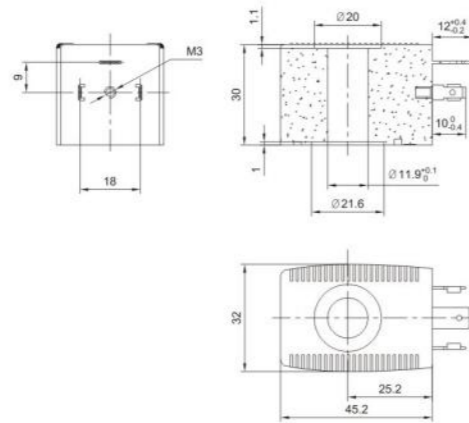
常规电压 Normal Voltage	DC24V	
常规功率 Normal Power	AC	
	DC	13.5W
其他特种电压、特种功率可定做 Other voltage and power can be customized		
绝缘等级 Insulation Class	H	
线圈连接方式 Connection Type	接插式 Meet & Insert Type	

产品编号/Product No.SB937 外观图/Overall Dimension
产品型号/Product Type JY1030-RG



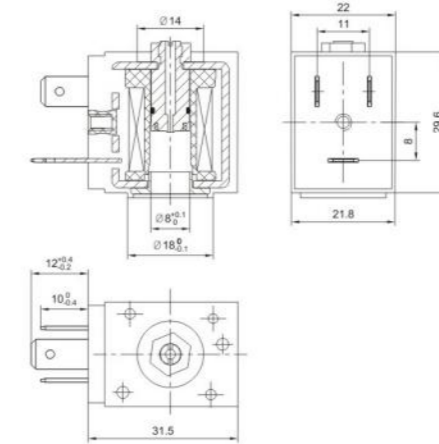
常规电压 Normal Voltage	AC220V	
常规功率 Normal Power	AC	14W
	DC	
其他特种电压、特种功率可定做 Other voltage and power can be customized		
绝缘等级 Insulation Class	H	
线圈连接方式 Connection Type	DIN43650B	

产品编号/Product No.SB908 外观图/Overall Dimension
产品型号/Product Type BD-D-2



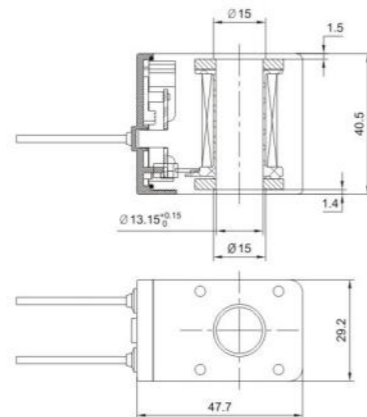
常规电压 Normal Voltage	AC220V	
常规功率 Normal Power	AC	12VA
	DC	
其他特种电压、特种功率可定做 Other voltage and power can be customized		
绝缘等级 Insulation Class	H	
线圈连接方式 Connection Type	DIN43650A	

产品编号/Product No.SB943 外观图/Overall Dimension
产品型号/Product Type 210D-8B



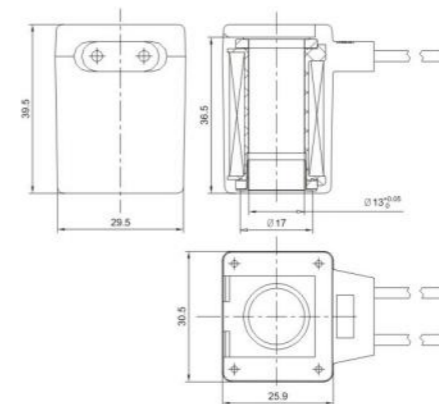
常规电压 Normal Voltage	AC220V AV110V DC24V DC12V	
常规功率 Normal Power	AC	3.5VA
	DC	2.5W
其他特种电压、特种功率可定做 Other voltage and power can be customized		
绝缘等级 Insulation Class	H	
线圈连接方式 Connection Type	DIN43650B	

产品编号/Product No.SB917 外观图/Overall Dimension
产品型号/Product Type HT0200



常规电压 Normal Voltage	DC110V	
常规功率 Normal Power	AC	
	DC	9.5W
其他特种电压、特种功率可定做 Other voltage and power can be customized		
绝缘等级 Insulation Class	H	
线圈连接方式 Connection Type	引线式 With Flying leads	

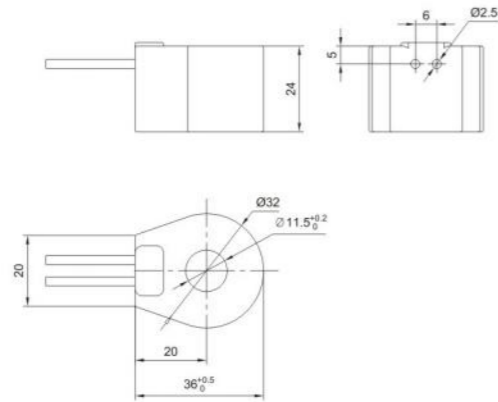
产品编号/Product No.SB951 外观图/Overall Dimension
产品型号/Product Type JF13402X



常规电压 Normal Voltage	DC24V	
常规功率 Normal Power	AC	
	DC	18W
其他特种电压、特种功率可定做 Other voltage and power can be customized		
绝缘等级 Insulation Class	H	
线圈连接方式 Connection Type	引线式 With Flying leads	

◎ 产品编号/Product No.SB959
产品型号/Product Type DHF-B

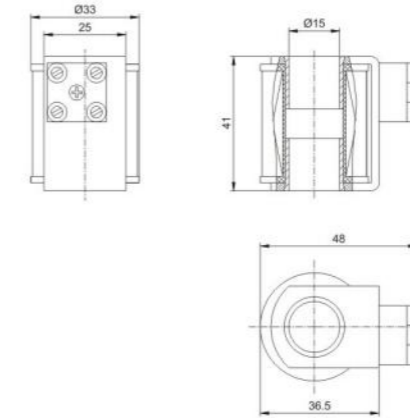
外观图/Overall Dimension



常规电压 Normal Voltage	DC12V	
常规功率 Normal Power	AC	
	DC	7.5W
其他特种电压、特种功率可定做 Other voltage and power can be customized		
绝缘等级 Insulation Class	H	
线圈连接方式 Connection Type	引线式 With Flying leads	

◎ 产品编号/Product No.SB046
产品型号/Product Type 801-T1.2

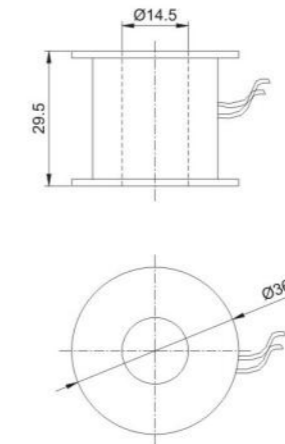
外观图/Overall Dimension



常规电压 Normal Voltage	AC220V AC110V DC24V DC12V	
常规功率 Normal Power	AC	11VA
	DC	8W
其他特种电压、特种功率可定做 Other voltage and power can be customized		
绝缘等级 Insulation Class	B、F	
线圈连接方式 Connection Type	螺钉压接 Screw Connction	

◎ 产品编号/Product No.SB059
产品型号/Product Type UD-8

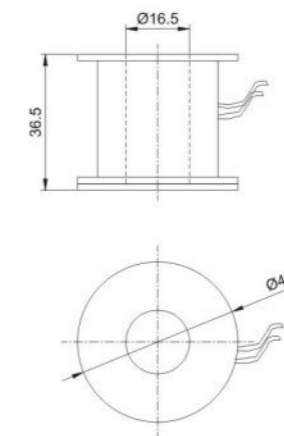
外观图/Overall Dimension



常规电压 Normal Voltage	AC220V AC110V DC24V DC12V	
常规功率 Normal Power	AC	15VA
	DC	12W
其他特种电压、特种功率可定做 Other voltage and power can be customized		
绝缘等级 Insulation Class	B、F、H	
线圈连接方式 Connection Type	引线式 With Flying leads	

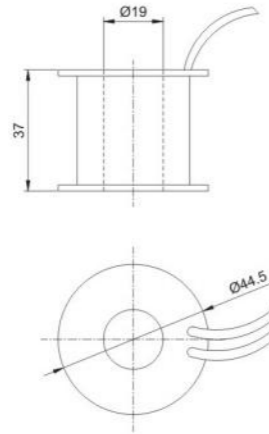
◎ 产品编号/Product No.SB060
产品型号/Product Type UD-15

外观图/Overall Dimension



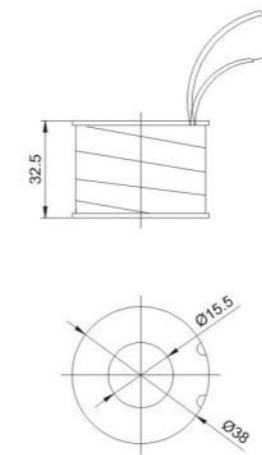
常规电压 Normal Voltage	AC220V、AC110V、DC24V、DC12V	
常规功率 Normal Power	AC	18VA
	DC	19W
其他特种电压、特种功率可定做 Other voltage and power can be customized		
绝缘等级 Insulation Class	B、F、H	
线圈连接方式 Connection Type	引线式 With Flying Leads	

产品编号/Product No.SB061 外观图/Overall Dimension
产品型号/Product Type Q23XD-3



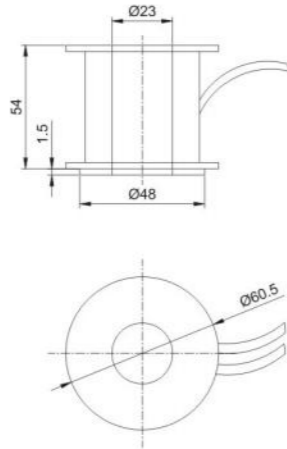
常规电压 Normal Voltage	AC220V AC110V DC24V DC12V	
常规功率 Normal Power	AC	15VA
	DC	19W
其他特种电压、特种功率可定做 Other voltage and power can be customized		
绝缘等级 Insulation Class	B、F	
线圈连接方式 Connection Type	引线式 With Flying Leads	

产品编号/Product No.SB064 外观图/Overall Dimension
产品型号/Product Type Q23XD-2



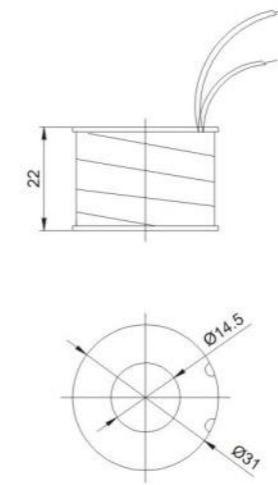
常规电压 Normal Voltage	AC220V AC110V DC24V DC12V	
常规功率 Normal Power	AC	13VA
	DC	9W
其他特种电压、特种功率可定做 Other voltage and power can be customized		
绝缘等级 Insulation Class	B、F	
线圈连接方式 Connection Type	引线式 With Flying Leads	

产品编号/Product No.SB062 外观图/Overall Dimension
产品型号/Product Type US



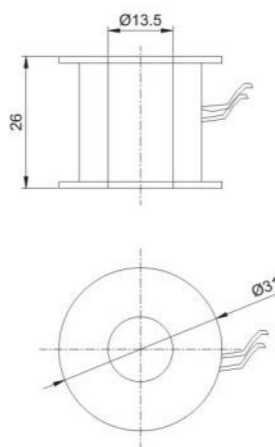
常规电压 Normal Voltage	AC220V AC110V DC24V DC12V	
常规功率 Normal Power	AC	28VA
	DC	24W
其他特种电压、特种功率可定做 Other voltage and power can be customized		
绝缘等级 Insulation Class	F、H	
线圈连接方式 Connection Type	引线式 With Flying Leads	

产品编号/Product No.SB065 外观图/Overall Dimension
产品型号/Product Type Q23JD-1.5



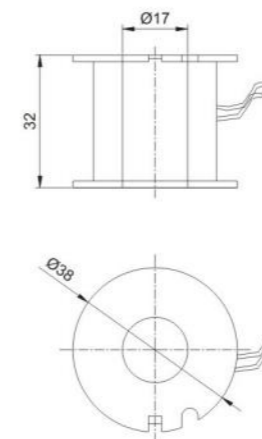
常规电压 Normal Voltage	AC220V DC12V	
常规功率 Normal Power	AC	7VA
	DC	3W
其他特种电压、特种功率可定做 Other voltage and power can be customized		
绝缘等级 Insulation Class	B、F	
线圈连接方式 Connection Type	引线式 With Flying Leads	

产品编号/Product No.SB063 外观图/Overall Dimension
产品型号/Product Type FBZE



常规电压 Normal Voltage	AC220V AC110V DC24V DC12V	
常规功率 Normal Power	AC	15VA
	DC	12W
其他特种电压、特种功率可定做 Other voltage and power can be customized		
绝缘等级 Insulation Class	B、F、H	
线圈连接方式 Connection Type	引线式 With Flying Leads	

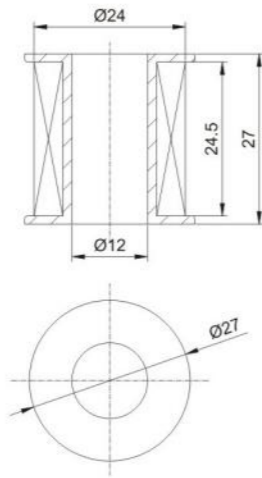
产品编号/Product No.SB094 外观图/Overall Dimension
产品型号/Product Type Q23XD-2A



常规电压 Normal Voltage	AC220V DC24V	
常规功率 Normal Power	AC	13VA
	DC	9W
其他特种电压、特种功率可定做 Other voltage and power can be customized		
绝缘等级 Insulation Class	B、F	
线圈连接方式 Connection Type	引线式 With Flying Leads	

◎ 产品编号/Product No.SB270
产品型号/Product Type BD-C

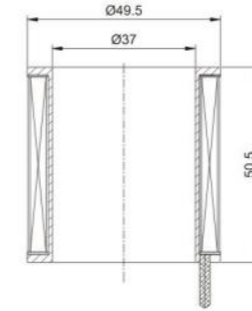
外观图/Overall Dimension



常规电压 Normal Voltage	AC220V DC24V	
常规功率 Normal Power	AC	15VA
	DC	6W
其他特种电压、特种功率可定做 Other voltage and power can be customized		
绝缘等级 Insulation Class	B、F	
线圈连接方式 Connection Type	引线式 With Flying Leads	

◎ 产品编号/Product No.SB459
产品型号/Product Type XY37502

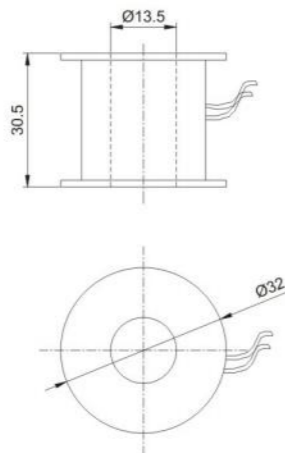
外观图/Overall Dimension



常规电压 Normal Voltage	DC12V DC24V	
常规功率 Normal Power	AC	
	DC	15W
其他特种电压、特种功率可定做 Other voltage and power can be customized		
绝缘等级 Insulation Class	H	
线圈连接方式 Connection Type	引线式 With Flying Leads	

◎ 产品编号/Product No.SB409
产品型号/Product Type DF-2-A

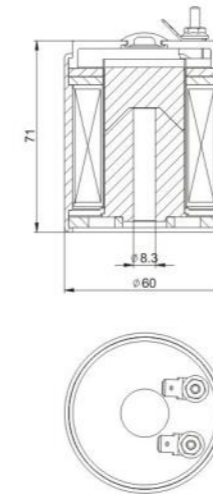
外观图/Overall Dimension



常规电压 Normal Voltage	AC220V AC110V DC24V	
常规功率 Normal Power	AC	9VA
	DC	7W 12W 15W
其他特种电压、特种功率可定做 Other voltage and power can be customized		
绝缘等级 Insulation Class	B、F	
线圈连接方式 Connection Type	引线式 With Flying Leads	

◎ 产品编号/Product No.SB596
产品型号/Product Type EM15

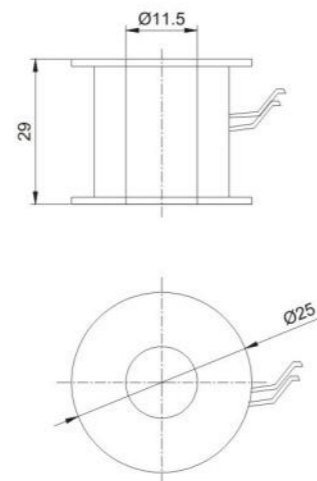
外观图/Overall Dimension



常规电压 Normal Voltage	DC24V DC12V	
常规功率 Normal Power	AC	
	DC	80W 58W
其他特种电压、特种功率可定做 Other voltage and power can be customized		
绝缘等级 Insulation Class	H	
线圈连接方式 Connection Type	6.3 × 0.8mm	

◎ 产品编号/Product No.SB413
产品型号/Product Type JT1162902

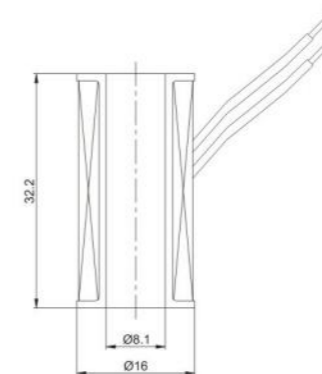
外观图/Overall Dimension



常规电压 Normal Voltage	AC220V DC24V	
常规功率 Normal Power	AC	8VA
	DC	7.5W
其他特种电压、特种功率可定做 Other voltage and power can be customized		
绝缘等级 Insulation Class	B、F	
线圈连接方式 Connection Type	引线式 With Flying Leads	

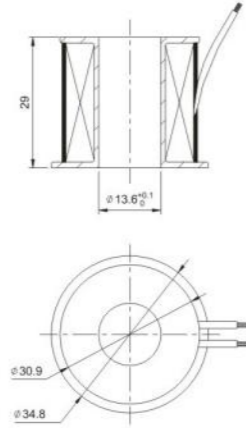
◎ 产品编号/Product No.SB707
产品型号/Product Type XY08322X

外观图/Overall Dimension



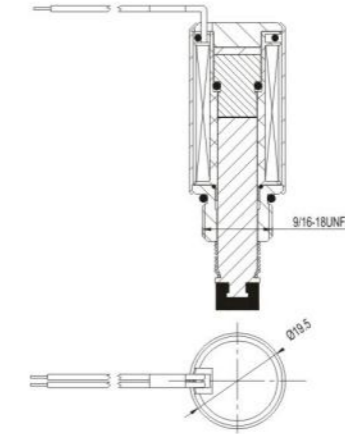
常规电压 Normal Voltage	DC24V DC12V	
常规功率 Normal Power	AC	
	DC	7W
其他特种电压、特种功率可定做 Other voltage and power can be customized		
绝缘等级 Insulation Class	H	
线圈连接方式 Connection Type	引线式 With Flying Leads	

产品编号/Product No.SB815 外观图/Overall Dimension
产品型号/Product Type XY13292X



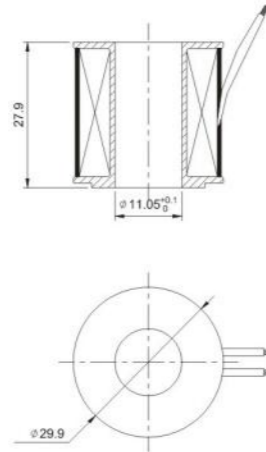
常规电压 Normal Voltage	DC24V、DC12V	
常规功率 Normal Power	AC	15W
	DC	
其他特种电压、特种功率可定做 Other voltage and power can be customized		
绝缘等级 Insulation Class	H	
线圈连接方式 Connection Type	引线式 With Flying leads	

产品编号/Product No.SB849 外观图/Overall Dimension
产品型号/Product Type XY08342X



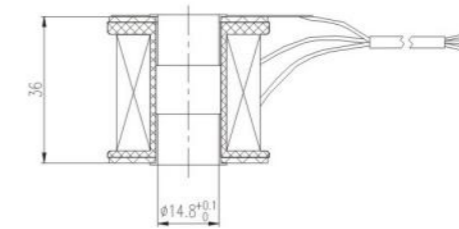
常规电压 Normal Voltage	DC8V	
常规功率 Normal Power	AC	10W
	DC	
其他特种电压、特种功率可定做 Other voltage and power can be customized		
绝缘等级 Insulation Class	H	
线圈连接方式 Connection Type	引线式 With Flying leads	

产品编号/Product No.SB816 外观图/Overall Dimension
产品型号/Product Type XY11282X



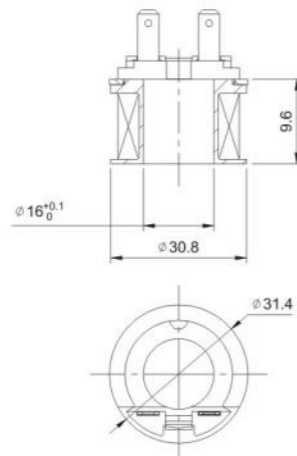
常规电压 Normal Voltage	DC24V	
常规功率 Normal Power	AC	12W
	DC	
其他特种电压、特种功率可定做 Other voltage and power can be customized		
绝缘等级 Insulation Class	H	
线圈连接方式 Connection Type	引线式 With Flying leads	

产品编号/Product No.SB871 外观图/Overall Dimension
产品型号/Product Type XY15333X



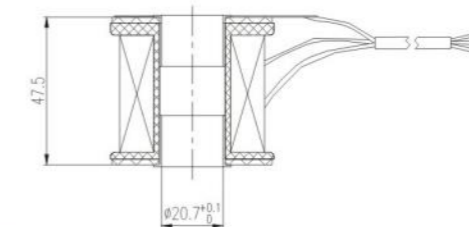
常规电压 Normal Voltage	AC220V	
常规功率 Normal Power	VA	W
其他特种电压、特种功率可定做 Other voltage and power can be customized		
绝缘等级 Insulation Class	H	
线圈连接方式 Connection Type	引线式 With Flying leads	

产品编号/Product No.SB827 外观图/Overall Dimension
产品型号/Product Type BDF-13



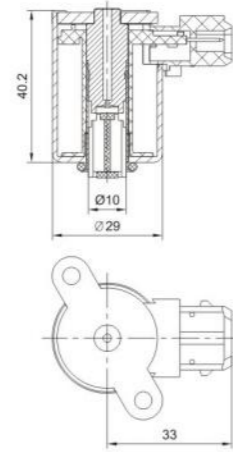
常规电压 Normal Voltage	DC12V	
常规功率 Normal Power	AC	32.5W
	DC	
其他特种电压、特种功率可定做 Other voltage and power can be customized		
绝缘等级 Insulation Class	H	
线圈连接方式 Connection Type	4.8X0.8	

产品编号/Product No.SB872 外观图/Overall Dimension
产品型号/Product Type XY21453X



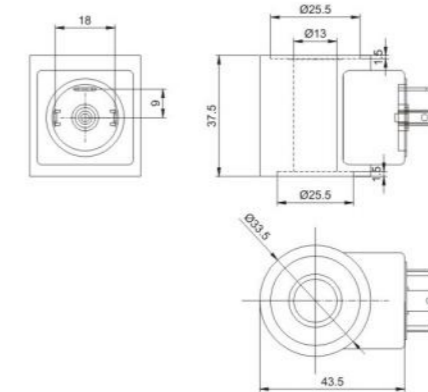
常规电压 Normal Voltage	AC220V	
常规功率 Normal Power	AC	DC
其他特种电压、特种功率可定做 Other voltage and power can be customized		
绝缘等级 Insulation Class	H	
线圈连接方式 Connection Type	引线式 With Flying leads	

产品编号/Product No.SB919 外观图/Overall Dimension
产品型号/Product Type WABC003



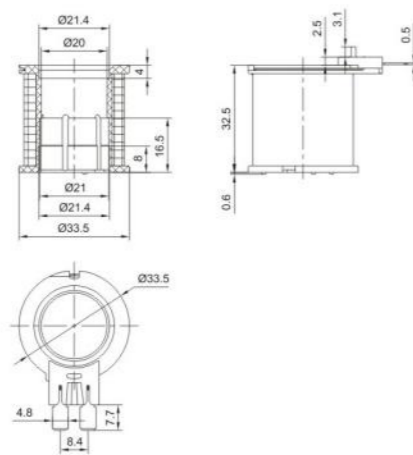
常规电压 Normal Voltage	DC12V	
常规功率 Normal Power	AC	
	DC	9W
其他特种电压、特种功率可定做 Other voltage and power can be customized		
绝缘等级 Insulation Class	H	
线圈连接方式 Connection Type	引线式	

产品编号/Product No.SB048 外观图/Overall Dimension
产品型号/Product Type YY-A



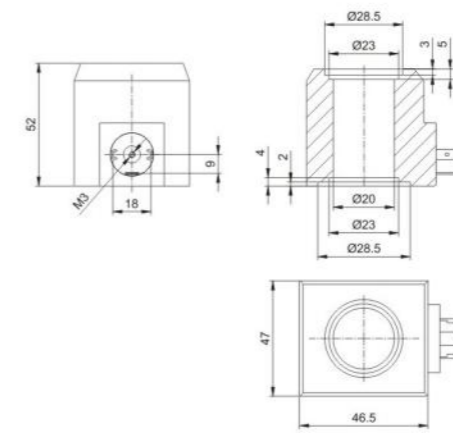
常规电压 Normal Voltage	AC220V RAC220V RAC110V DC12V	
常规功率 Normal Power	AC	15VA
	DC	12W
其他特种电压、特种功率可定做 Other voltage and power can be customized		
绝缘等级 Insulation Class	F、H	
线圈连接方式 Connection Type	DIN43650A	

产品编号/Product No.SB953 外观图/Overall Dimension
产品型号/Product Type XYGJ05



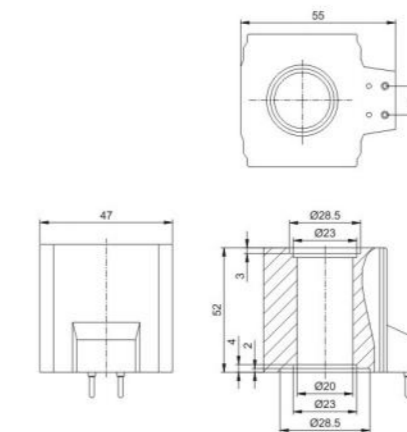
常规电压 Normal Voltage		
常规功率 Normal Power	AC	
	DC	
其他特种电压、特种功率可定做 Other voltage and power can be customized		
绝缘等级 Insulation Class	H	
线圈连接方式 Connection Type	4.8 X 0.5	

产品编号/Product No.SB098 外观图/Overall Dimension
产品型号/Product Type DSD-G02-AC



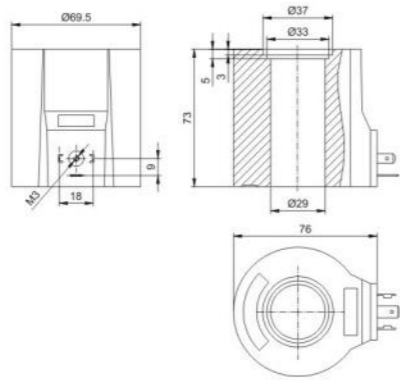
常规电压 Normal Voltage	AC220V AC110V	
常规功率 Normal Power	AC	20VA
	DC	
其他特种电压、特种功率可定做 Other voltage and power can be customized		
绝缘等级 Insulation Class	H	
线圈连接方式 Connection Type	DIN43650A	

产品编号/Product No.SB099 外观图/Overall Dimension
产品型号/Product Type DSV-G02-AC



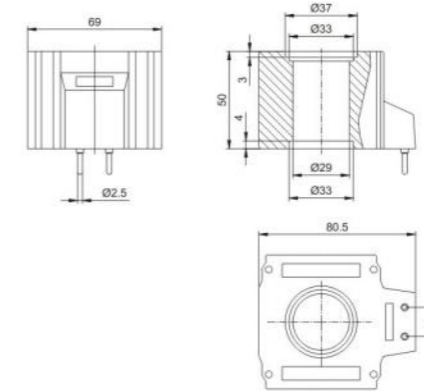
常规电压 Normal Voltage	AC220V AC110V	
常规功率 Normal Power	AC	20VA
	DC	
其他特种电压、特种功率可定做 Other voltage and power can be customized		
绝缘等级 Insulation Class	H	
线圈连接方式 Connection Type	针式 Needle Type	

◎ 产品编号/Product No.SB271 外观图/Overall Dimension
产品型号/Product Type DSD-G03-DC



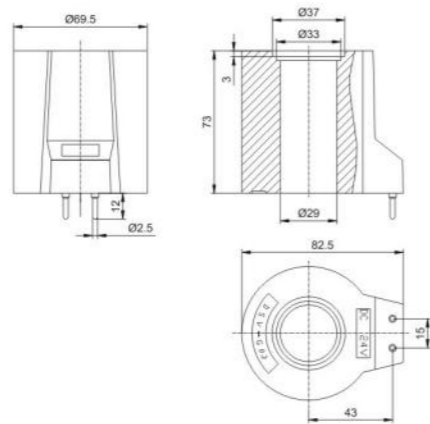
常规电压 Normal Voltage	DC24V DC12V	
常规功率 Normal Power	AC	
	DC	36W
其他特种电压、特种功率可定做 Other voltage and power can be customized		
绝缘等级 Insulation Class	H	
线圈连接方式 Connection Type	DIN43650A	

◎ 产品编号/Product No.SB274 外观图/Overall Dimension
产品型号/Product Type DSV-G03-AC



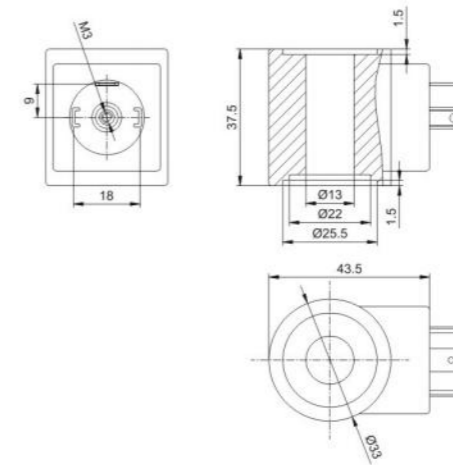
常规电压 Normal Voltage	AC220V AC110V	
常规功率 Normal Power	AC	30VA
	DC	
其他特种电压、特种功率可定做 Other voltage and power can be customized		
绝缘等级 Insulation Class	H	
线圈连接方式 Connection Type	针式 Needle Type	

◎ 产品编号/Product No.SB272 外观图/Overall Dimension
产品型号/Product Type DSV-G03-DC



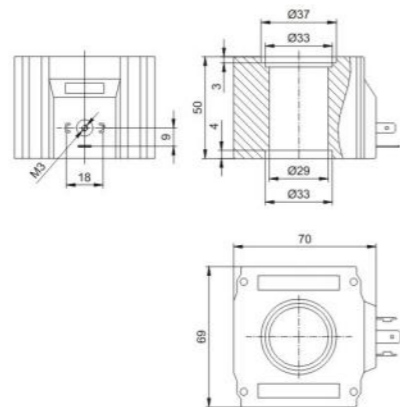
常规电压 Normal Voltage	DC24V DC12V	
常规功率 Normal Power	AC	
	DC	36W
其他特种电压、特种功率可定做 Other voltage and power can be customized		
绝缘等级 Insulation Class	H	
线圈连接方式 Connection Type	针式 Needle Type	

◎ 产品编号/Product No.SB275 外观图/Overall Dimension
产品型号/Product Type 13373



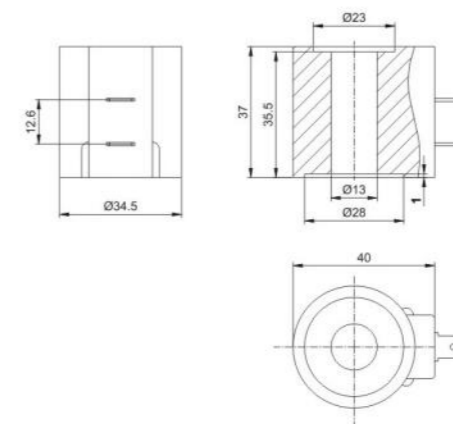
常规电压 Normal Voltage	RAC220V RAC110V DC24V DV12V	
常规功率 Normal Power	AC	20VA
	DC	18W
其他特种电压、特种功率可定做 Other voltage and power can be customized		
绝缘等级 Insulation Class	H	
线圈连接方式 Connection Type	DIN43650A	

◎ 产品编号/Product No.SB273 外观图/Overall Dimension
产品型号/Product Type DSD-G03-AC



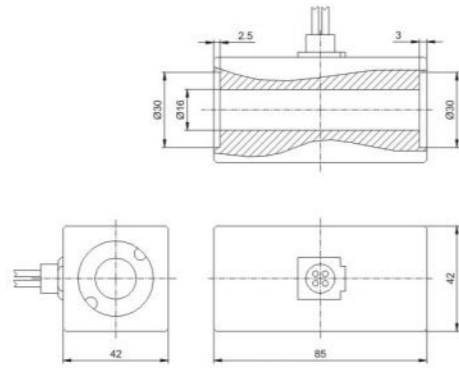
常规电压 Normal Voltage	AC220V AC110V	
常规功率 Normal Power	AC	30VA
	DC	
其他特种电压、特种功率可定做 Other voltage and power can be customized		
绝缘等级 Insulation Class	H	
线圈连接方式 Connection Type	DIN43650A	

◎ 产品编号/Product No.SB276 外观图/Overall Dimension
产品型号/Product Type 13372



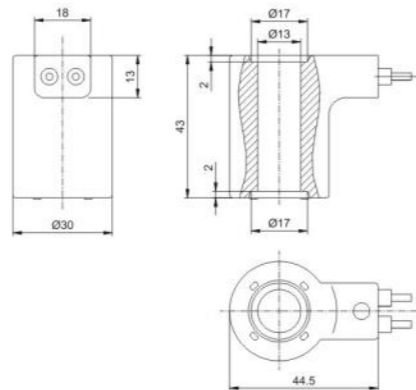
常规电压 Normal Voltage	A220V A220V DC24V DC12V	
常规功率 Normal Power	AC	
	DC	18W
其他特种电压、特种功率可定做 Other voltage and power can be customized		
绝缘等级 Insulation Class	H	
线圈连接方式 Connection Type	6.3×0.8mm	

产品编号/Product No.SB283 外观图/Overall Dimension
产品型号/Product Type JP16854



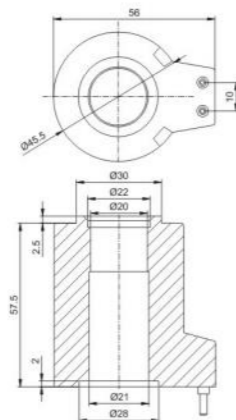
常规电压 Normal Voltage	DC12V	
常规功率 Normal Power	AC	25Wx2
	DC	
其他特种电压、特种功率可定做 Other voltage and power can be customized		
绝缘等级 Insulation Class	H	
线圈连接方式 Connection Type	引线式 With Flying Leads	

产品编号/Product No.SB284 外观图/Overall Dimension
产品型号/Product Type JP13432



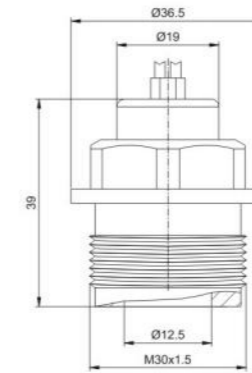
常规电压 Normal Voltage	DC24V DC12V	
常规功率 Normal Power	AC	17W
	DC	
其他特种电压、特种功率可定做 Other voltage and power can be customized		
绝缘等级 Insulation Class	H	
线圈连接方式 Connection Type	引线式 With Flying Leads	

产品编号/Product No.SB295 外观图/Overall Dimension
产品型号/Product Type DSL-02-DC



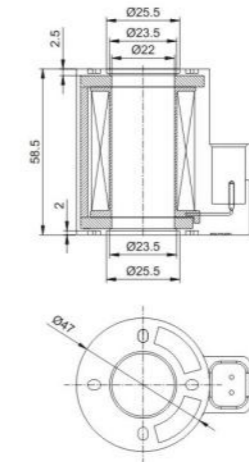
常规电压 Normal Voltage	DC24V DC12V	
常规功率 Normal Power	AC	10W
	DC	
其他特种电压、特种功率可定做 Other voltage and power can be customized		
绝缘等级 Insulation Class	H	
线圈连接方式 Connection Type	针式 Needle Type	

产品编号/Product No.SB410 外观图/Overall Dimension
产品型号/Product Type YH1254002



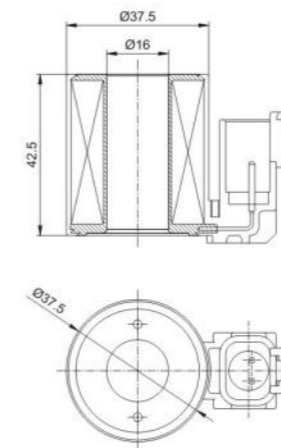
常规电压 Normal Voltage	DC12V	
常规功率 Normal Power	AC	8.5W
	DC	
其他特种电压、特种功率可定做 Other voltage and power can be customized		
绝缘等级 Insulation Class	B、F	
线圈连接方式 Connection Type	引线式 With Flying Leads	

产品编号/Product No.SB412 外观图/Overall Dimension
产品型号/Product Type MFZ16Y-37-02



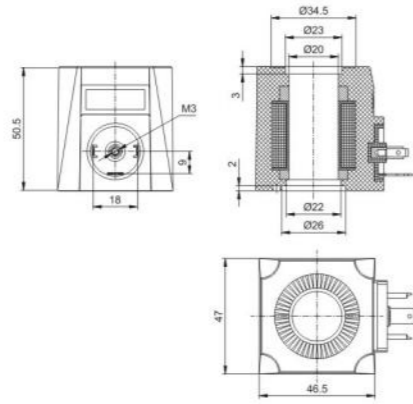
常规电压 Normal Voltage	DC24V DC12V	
常规功率 Normal Power	AC	36W
	DC	
其他特种电压、特种功率可定做 Other voltage and power can be customized		
绝缘等级 Insulation Class	H	
线圈连接方式 Connection Type	DEUTCH	

产品编号/Product No.SB414 外观图/Overall Dimension
产品型号/Product Type LCFW-10-02



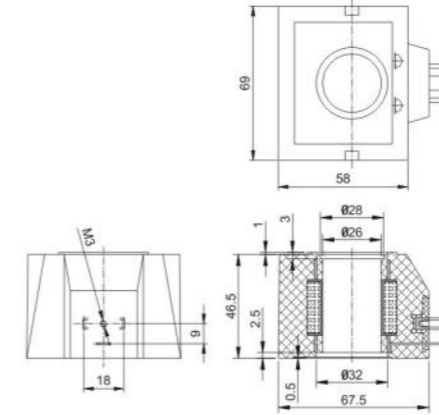
常规电压 Normal Voltage	DC24V DC12V	
常规功率 Normal Power	AC	24W
	DC	
其他特种电压、特种功率可定做 Other voltage and power can be customized		
绝缘等级 Insulation Class	H	
线圈连接方式 Connection Type	DEUTCH	

◎ 产品编号/Product No.SB417 外观图/Overall Dimension
产品型号/Product Type 02-DL-AC



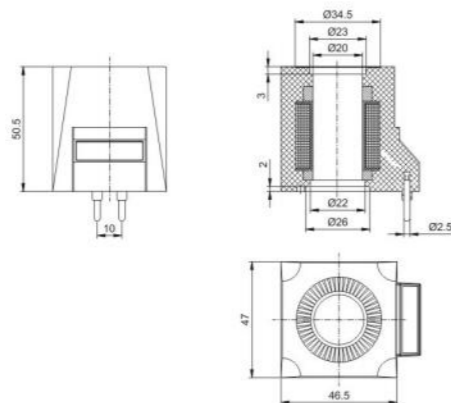
常规电压 Normal Voltage	AC220V AC110V	
常规功率 Normal Power	AC	20VA
	DC	
其他特种电压、特种功率可定做 Other voltage and power can be customized		
绝缘等级 Insulation Class	H	
线圈连接方式 Connection Type	DIN43650A	

◎ 产品编号/Product No.SB420 外观图/Overall Dimension
产品型号/Product Type 03-DL-AC



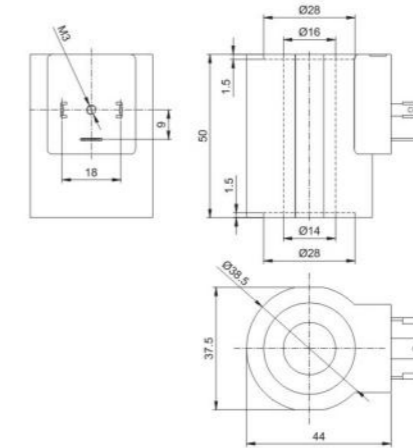
常规电压 Normal Voltage	AC220V AC220V	
常规功率 Normal Power	AC	35VA
	DC	
其他特种电压、特种功率可定做 Other voltage and power can be customized		
绝缘等级 Insulation Class	H	
线圈连接方式 Connection Type	DIN43650A	

◎ 产品编号/Product No.SB418 外观图/Overall Dimension
产品型号/Product Type 02-LW-AC



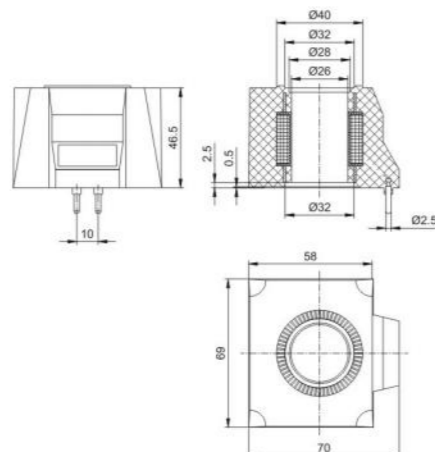
常规电压 Normal Voltage	AC220V AC220V	
常规功率 Normal Power	AC	20VA
	DC	
其他特种电压、特种功率可定做 Other voltage and power can be customized		
绝缘等级 Insulation Class	H	
线圈连接方式 Connection Type	针式 Needle Type	

◎ 产品编号/Product No.SB429 外观图/Overall Dimension
产品型号/Product Type XY14503



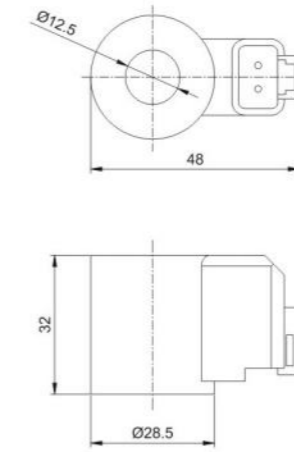
常规电压 Normal Voltage	AC220V AC110V DC24V DC12V	
常规功率 Normal Power	AC	22VA
	DC	21W
其他特种电压、特种功率可定做 Other voltage and power can be customized		
绝缘等级 Insulation Class	H	
线圈连接方式 Connection Type	DIN43650A	

◎ 产品编号/Product No.SB419 外观图/Overall Dimension
产品型号/Product Type 03-LW-AC



常规电压 Normal Voltage	AC220V AC220V	
常规功率 Normal Power	AC	35VA
	DC	
其他特种电压、特种功率可定做 Other voltage and power can be customized		
绝缘等级 Insulation Class	H	
线圈连接方式 Connection Type	针式 Needle Type	

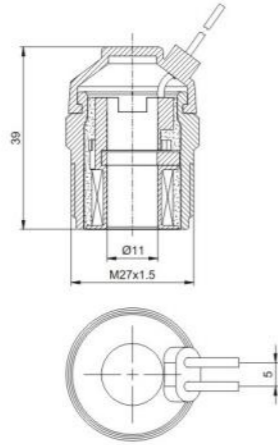
◎ 产品编号/Product No.SB437 外观图/Overall Dimension
产品型号/Product Type XY13322



常规电压 Normal Voltage	DC24V DC12V	
常规功率 Normal Power	AC	
	DC	12W
其他特种电压、特种功率可定做 Other voltage and power can be customized		
绝缘等级 Insulation Class	H	
线圈连接方式 Connection Type	DEUTCH	

产品编号/Product No.SB455
产品型号/Product Type FJ27

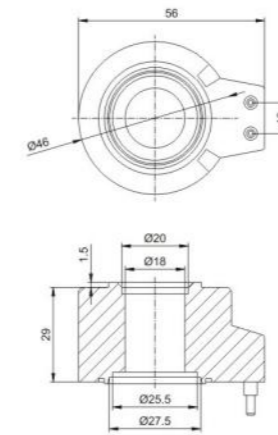
外观图/Overall Dimension



常规电压 Normal Voltage	DC24V DC12V	
常规功率 Normal Power	AC	
	DC	8W
其他特种电压、特种功率可定做 Other voltage and power can be customized		
绝缘等级 Insulation Class	H	
线圈连接方式 Connection Type	引线式 With Flying Leads	

产品编号/Product No.SB467
产品型号/Product Type DSL-G02-AC

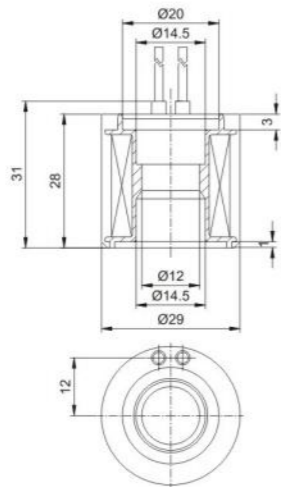
外观图/Overall Dimension



常规电压 Normal Voltage	AC220V AC110V	
常规功率 Normal Power	AC	28VA
	DC	
其他特种电压、特种功率可定做 Other voltage and power can be customized		
绝缘等级 Insulation Class	H	
线圈连接方式 Connection Type	针式 Needle Type	

产品编号/Product No.SB456
产品型号/Product Type AI355

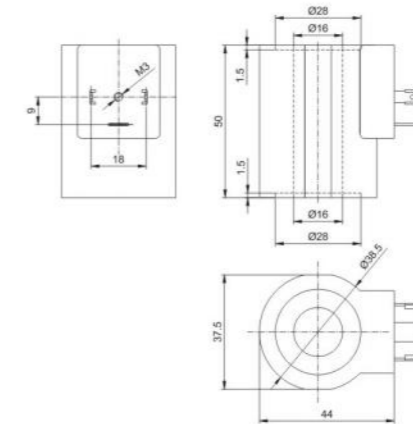
外观图/Overall Dimension



常规电压 Normal Voltage	DC24V DC12V	
常规功率 Normal Power	AC	
	DC	8W
其他特种电压、特种功率可定做 Other voltage and power can be customized		
绝缘等级 Insulation Class	B、F	
线圈连接方式 Connection Type	引线式 With Flying Leads	

产品编号/Product No.SB470
产品型号/Product Type WSH100

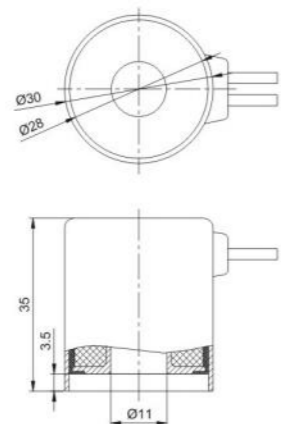
外观图/Overall Dimension



常规电压 Normal Voltage	AC220V AC110V DC24V DC12V	
常规功率 Normal Power	AC	28VA
	DC	26W
其他特种电压、特种功率可定做 Other voltage and power can be customized		
绝缘等级 Insulation Class	H	
线圈连接方式 Connection Type	DIN43650A	

产品编号/Product No.SB457
产品型号/Product Type IN30

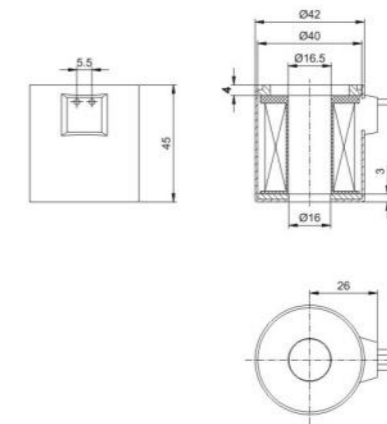
外观图/Overall Dimension



常规电压 Normal Voltage	DC24V DC12V	
常规功率 Normal Power	AC	
	DC	15W
其他特种电压、特种功率可定做 Other voltage and power can be customized		
绝缘等级 Insulation Class	H	
线圈连接方式 Connection Type	引线式 With Flying Leads	

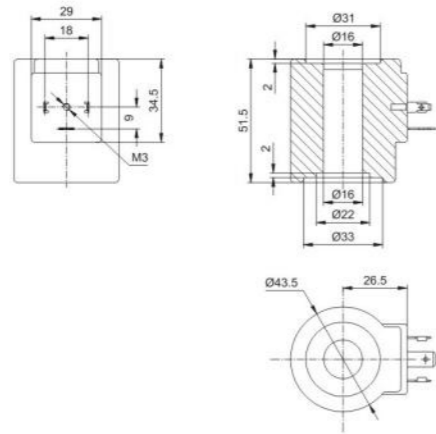
产品编号/Product No.SB481
产品型号/Product Type Y-1

外观图/Overall Dimension



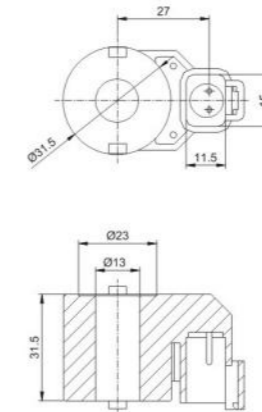
常规电压 Normal Voltage	DC12V	
常规功率 Normal Power	AC	
	DC	21W
其他特种电压、特种功率可定做 Other voltage and power can be customized		
绝缘等级 Insulation Class	H	
线圈连接方式 Connection Type	引线式 With Flying Leads	

产品编号/Product No.SB487 外观图/Overall Dimension
产品型号/Product Type LM251230



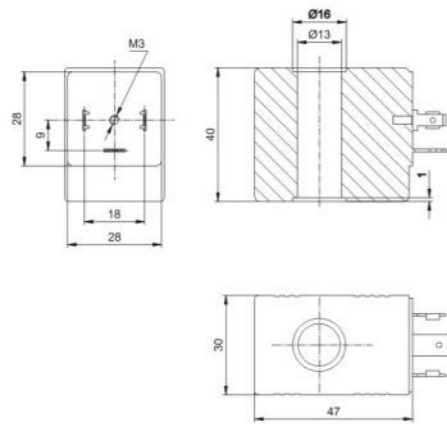
常规电压 Normal Voltage	DC24V DC12V	
常规功率 Normal Power	AC	
	DC	23W
其他特种电压、特种功率可定做 Other voltage and power can be customized		
绝缘等级 Insulation Class	H	
线圈连接方式 Connection Type	DIN43650A	

产品编号/Product No.SB497 外观图/Overall Dimension
产品型号/Product Type SF08



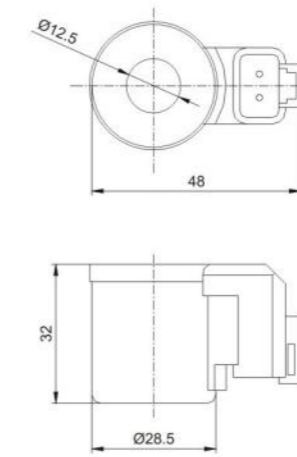
常规电压 Normal Voltage	DC12V	
常规功率 Normal Power	AC	
	DC	16W
其他特种电压、特种功率可定做 Other voltage and power can be customized		
绝缘等级 Insulation Class	H	
线圈连接方式 Connection Type	DEUTCH	

产品编号/Product No.SB488 外观图/Overall Dimension
产品型号/Product Type C13TH24/14



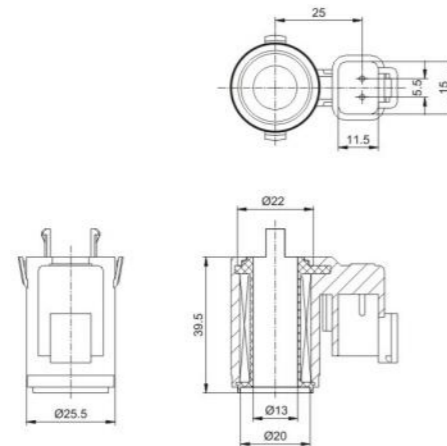
常规电压 Normal Voltage	DC24V DC12V	
常规功率 Normal Power	AC	
	DC	13W
其他特种电压、特种功率可定做 Other voltage and power can be customized		
绝缘等级 Insulation Class	H	
线圈连接方式 Connection Type	DIN43650A	

产品编号/Product No.SB500 外观图/Overall Dimension
产品型号/Product Type XY13322B



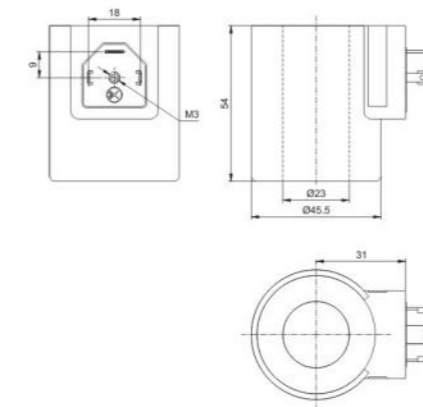
常规电压 Normal Voltage	DC205V DC105V	
常规功率 Normal Power	AC	
	DC	12W
其他特种电压、特种功率可定做 Other voltage and power can be customized		
绝缘等级 Insulation Class	H	
线圈连接方式 Connection Type	DEUTCH	

产品编号/Product No.SB496 外观图/Overall Dimension
产品型号/Product Type SV98



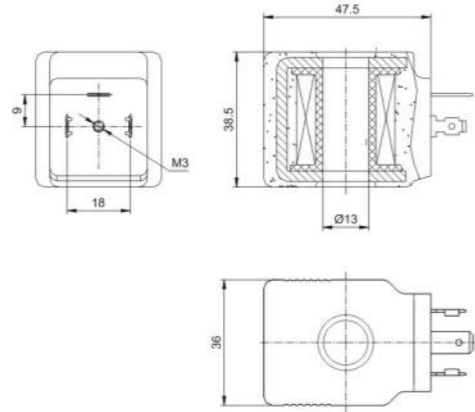
常规电压 Normal Voltage	DC24V DC12V	
常规功率 Normal Power	AC	
	DC	20W
其他特种电压、特种功率可定做 Other voltage and power can be customized		
绝缘等级 Insulation Class	H	
线圈连接方式 Connection Type	DEUTCH	

产品编号/Product No.SB506 外观图/Overall Dimension
产品型号/Product Type XY23553



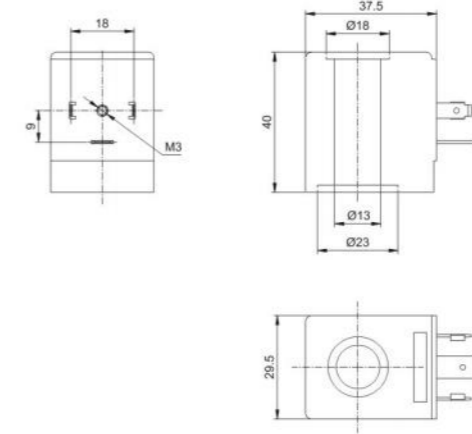
常规电压 Normal Voltage	DC24V DC12V	
常规功率 Normal Power	AC	
	DC	32W
其他特种电压、特种功率可定做 Other voltage and power can be customized		
绝缘等级 Insulation Class	H	
线圈连接方式 Connection Type	DIN43650A	

产品编号/Product No.SB514 外观图/Overall Dimension
产品型号/Product Type IH13383



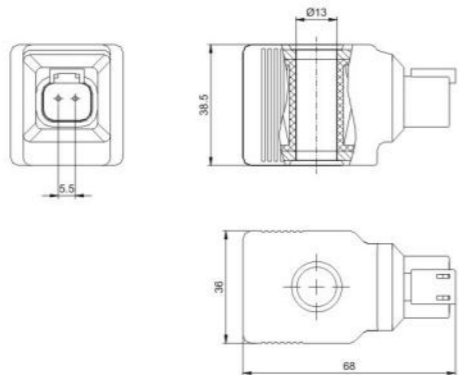
常规电压 Normal Voltage	AC220V AC110V DC24V DC12V	
常规功率 Normal Power	AC	18VA 30VA
	DC	14W 18W
其他特种电压、特种功率可定做 Other voltage and power can be customized		
绝缘等级 Insulation Class	H	
线圈连接方式 Connection Type	DIN43650A	

产品编号/Product No.SB519 外观图/Overall Dimension
产品型号/Product Type XY5M13



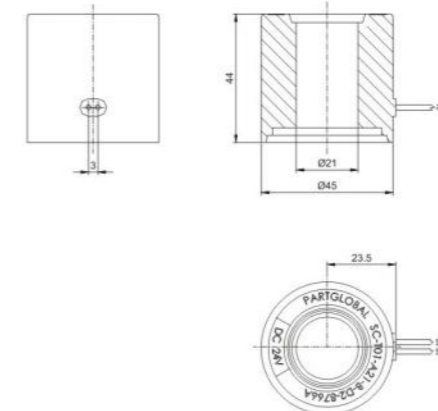
常规电压 Normal Voltage	AC220V AC110V DC24V DC12V	
常规功率 Normal Power	AC	13VA
	DC	10W
其他特种电压、特种功率可定做 Other voltage and power can be customized		
绝缘等级 Insulation Class	H	
线圈连接方式 Connection Type	DIN43650A	

产品编号/Product No.SB515 外观图/Overall Dimension
产品型号/Product Type IH13382



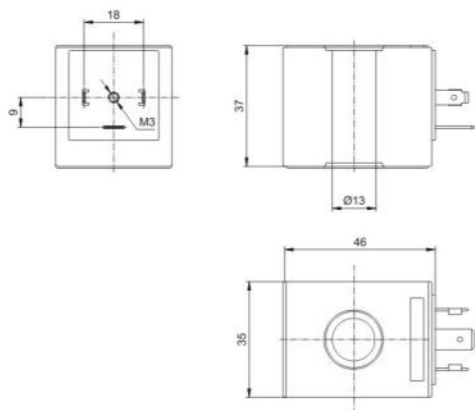
常规电压 Normal Voltage	AC220V AC110V DC24V DC12V	
常规功率 Normal Power	AC	18VA
	DC	14W 28W
其他特种电压、特种功率可定做 Other voltage and power can be customized		
绝缘等级 Insulation Class	H	
线圈连接方式 Connection Type	DEUTCH	

产品编号/Product No.SB522 外观图/Overall Dimension
产品型号/Product Type XY21442



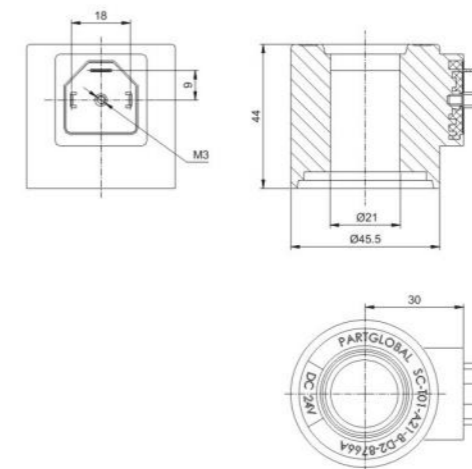
常规电压 Normal Voltage	DC24V DC12V	
常规功率 Normal Power	AC	
	DC	21W
其他特种电压、特种功率可定做 Other voltage and power can be customized		
绝缘等级 Insulation Class	H	
线圈连接方式 Connection Type	引线式 With Flying Leads	

产品编号/Product No.SB518 外观图/Overall Dimension
产品型号/Product Type XY5P13



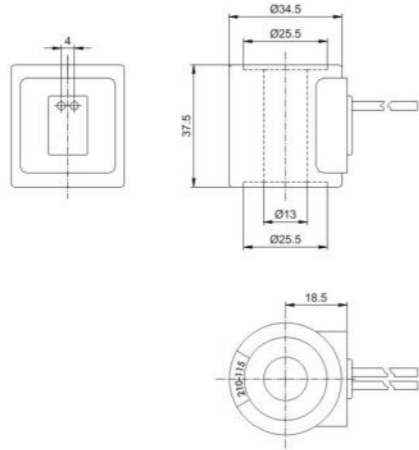
常规电压 Normal Voltage	AC220V AC110V DC24V DC12V	
常规功率 Normal Power	AC	19VA
	DC	17W
其他特种电压、特种功率可定做 Other voltage and power can be customized		
绝缘等级 Insulation Class	H	
线圈连接方式 Connection Type	DIN43650A	

产品编号/Product No.SB523 外观图/Overall Dimension
产品型号/Product Type XY21443



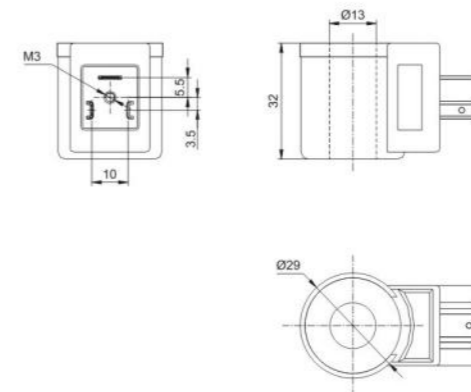
常规电压 Normal Voltage	DC24V DC12V	
常规功率 Normal Power	AC	
	DC	21W
其他特种电压、特种功率可定做 Other voltage and power can be customized		
绝缘等级 Insulation Class	H	
线圈连接方式 Connection Type	DIN43650A	

产品编号/Product No.SB524 外观图/Overall Dimension
产品型号/Product Type XY13373X



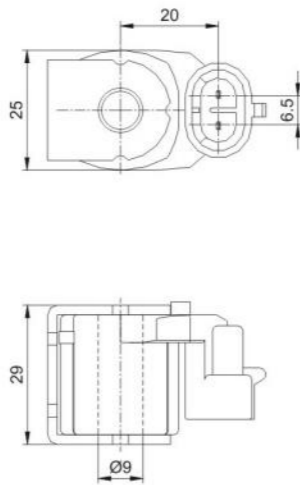
常规电压 Normal Voltage	AC220V AC110V DC24V DC12V	
常规功率 Normal Power	AC	15VA
	DC	15W
其他特种电压、特种功率可定做 Other voltage and power can be customized		
绝缘等级 Insulation Class	H	
线圈连接方式 Connection Type	引线式 With Flying Leads	

产品编号/Product No.SB536 外观图/Overall Dimension
产品型号/Product Type XY13322C



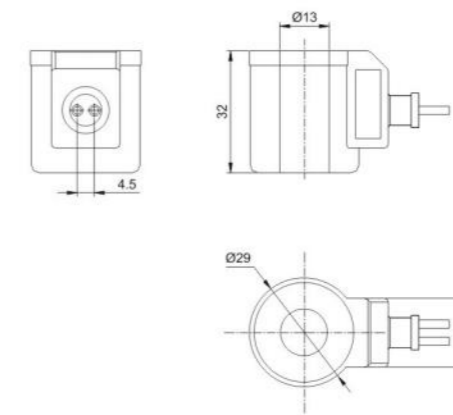
常规电压 Normal Voltage	DC24V DC12V	
常规功率 Normal Power	AC	
	DC	12W
其他特种电压、特种功率可定做 Other voltage and power can be customized		
绝缘等级 Insulation Class	H、N	
线圈连接方式 Connection Type	6.3DIN46247	

产品编号/Product No.SB526 外观图/Overall Dimension
产品型号/Product Type HT09252



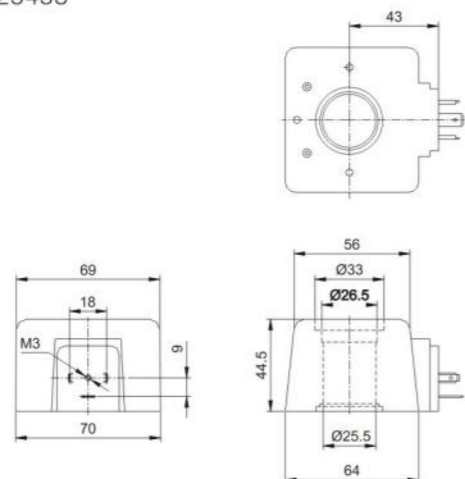
常规电压 Normal Voltage	DC6V	
常规功率 Normal Power	AC	
	DC	11W
其他特种电压、特种功率可定做 Other voltage and power can be customized		
绝缘等级 Insulation Class	H	
线圈连接方式 Connection Type	DEUTCH	

产品编号/Product No.SB537 外观图/Overall Dimension
产品型号/Product Type XY13322D



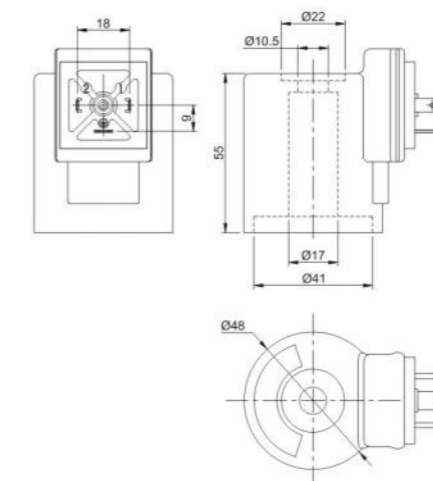
常规电压 Normal Voltage	DC24V DC12V	
常规功率 Normal Power	AC	
	DC	12W
其他特种电压、特种功率可定做 Other voltage and power can be customized		
绝缘等级 Insulation Class	H、N	
线圈连接方式 Connection Type	引线式 With Flying Leads	

产品编号/Product No.SB527 外观图/Overall Dimension
产品型号/Product Type AMC25453



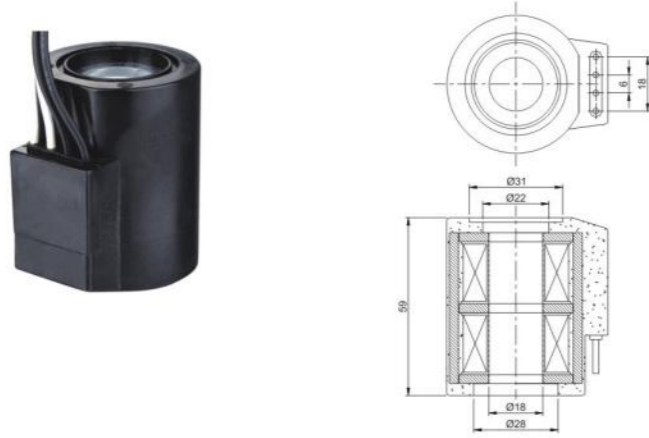
常规电压 Normal Voltage	AC220V AC110V	
常规功率 Normal Power	AC	35VA
	DC	
其他特种电压、特种功率可定做 Other voltage and power can be customized		
绝缘等级 Insulation Class	H	
线圈连接方式 Connection Type	DIN43650A	

产品编号/Product No.SB551 外观图/Overall Dimension
产品型号/Product Type HS17553



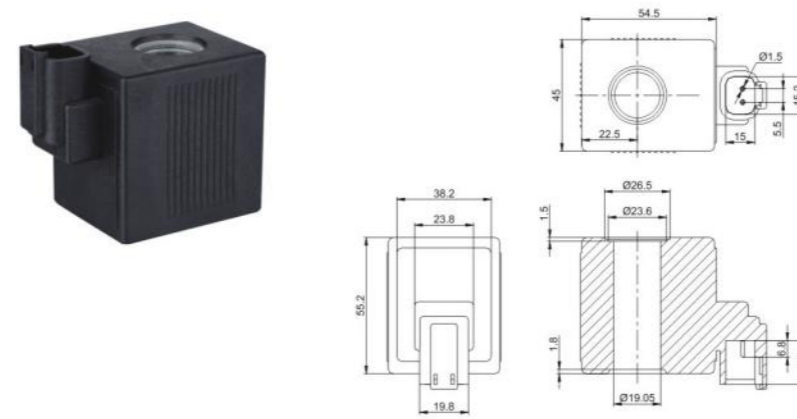
常规电压 Normal Voltage	AV220V AC110V DC24V	
常规功率 Normal Power	AC	12VA
	DC	7.5W
其他特种电压、特种功率可定做 Other voltage and power can be customized		
绝缘等级 Insulation Class	F、H	
线圈连接方式 Connection Type	DIN43650A	

产品编号/Product No.SB553 外观图/Overall Dimension
产品型号/Product Type DSWL-02-05



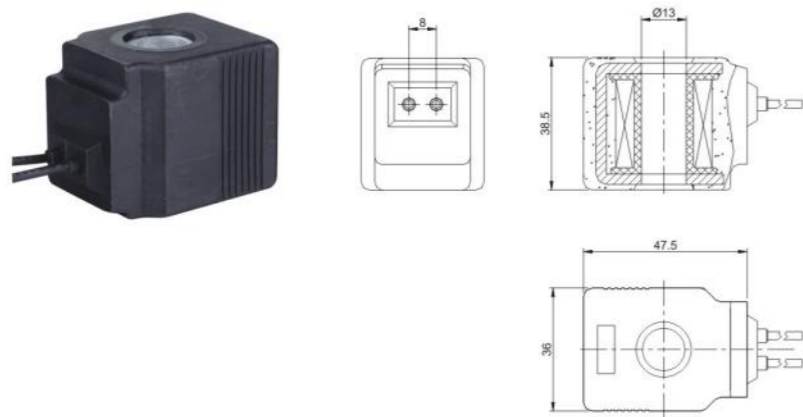
常规电压 Normal Voltage	DC24V DC12V	
常规功率 Normal Power	AC	
	DC	24W x 2
其他特种电压、特种功率可定做 Other voltage and power can be customized		
绝缘等级 Insulation Class	H	
线圈连接方式 Connection Type	引线式 With Flying Leads	

产品编号/Product No.SB702 外观图/Overall Dimension
产品型号/Product Type HY19552



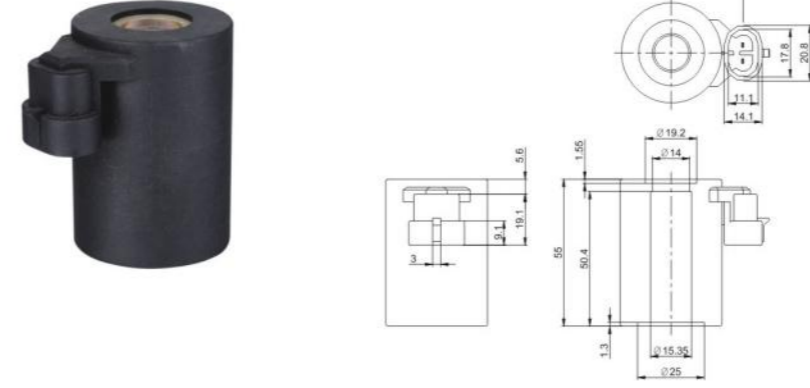
常规电压 Normal Voltage	DC13V	
常规功率 Normal Power	AC	
	DC	37.5W
其他特种电压、特种功率可定做 Other voltage and power can be customized		
绝缘等级 Insulation Class	H	
线圈连接方式 Connection Type	DEUTCH	

产品编号/Product No.SB555 外观图/Overall Dimension
产品型号/Product Type CS13392



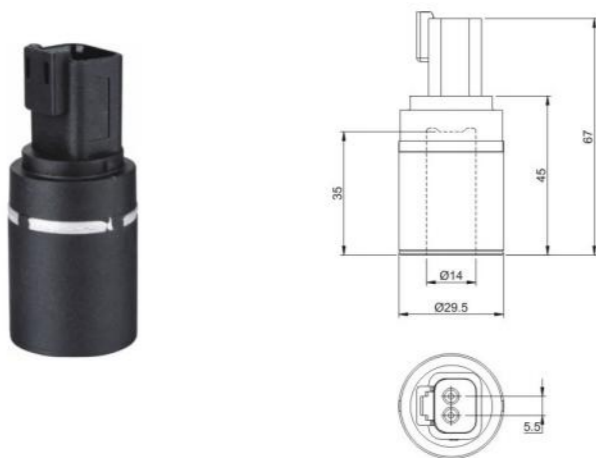
常规电压 Normal Voltage	RAC220V AC220V AC110V DC24V DC12V	
常规功率 Normal Power	AC	28VA
	DC	10W 28W
其他特种电压、特种功率可定做 Other voltage and power can be customized		
绝缘等级 Insulation Class	H	
线圈连接方式 Connection Type	引线式 With Flying Leads	

产品编号/Product No.SB705 外观图/Overall Dimension
产品型号/Product Type XY15552



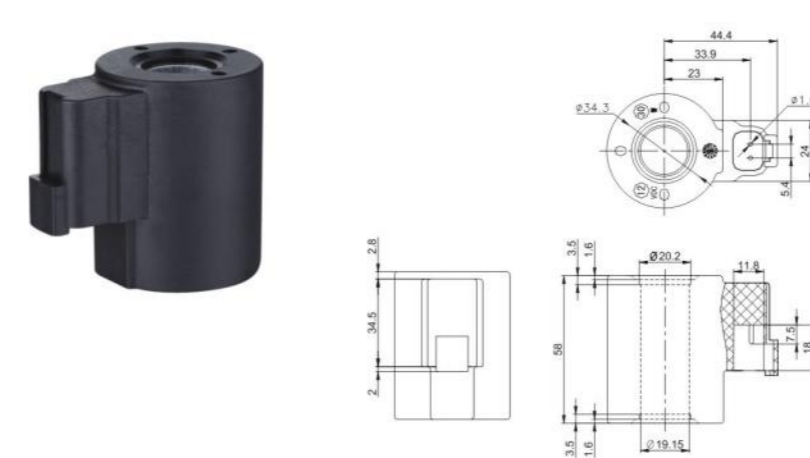
常规电压 Normal Voltage	DC12V	
常规功率 Normal Power	AC	
	DC	20W
其他特种电压、特种功率可定做 Other voltage and power can be customized		
绝缘等级 Insulation Class	H	
线圈连接方式 Connection Type	DEUTCH	

产品编号/Product No.SB563 外观图/Overall Dimension
产品型号/Product Type XY14302



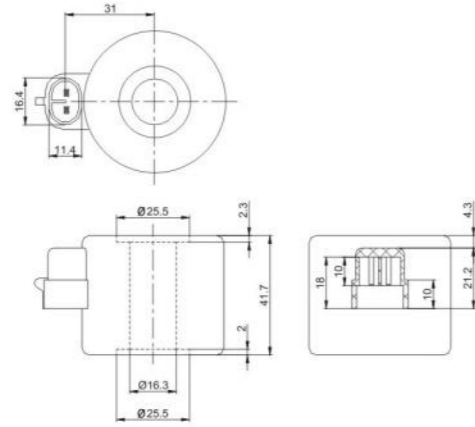
常规电压 Normal Voltage	DC24V DC12V	
常规功率 Normal Power	AC	
	DC	60W
其他特种电压、特种功率可定做 Other voltage and power can be customized		
绝缘等级 Insulation Class	H、N	
线圈连接方式 Connection Type	DEUTCH	

产品编号/Product No.SB731 外观图/Overall Dimension
产品型号/Product Type XY19582



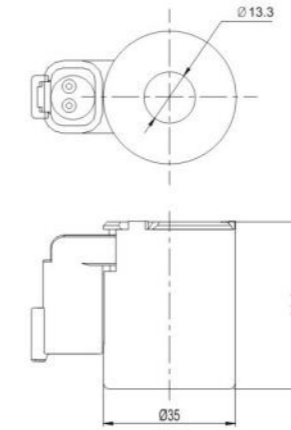
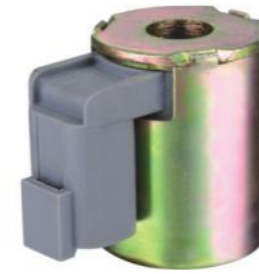
常规电压 Normal Voltage	DC12V	
常规功率 Normal Power	AC	
	DC	30W
其他特种电压、特种功率可定做 Other voltage and power can be customized		
绝缘等级 Insulation Class	H	
线圈连接方式 Connection Type	DEUTCH	

产品编号/Product No.SB741 外观图/Overall Dimension
产品型号/Product Type XY16412B



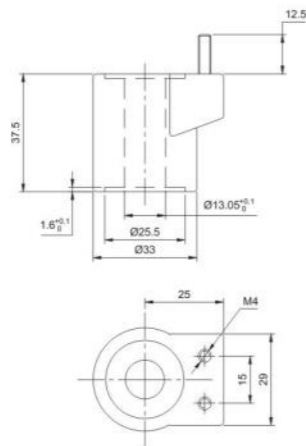
常规电压 Normal Voltage	DC24V DC12V	
常规功率 Normal Power	AC	
	DC	20W
其他特种电压、特种功率可定做 Other voltage and power can be customized		
绝缘等级 Insulation Class	H	
线圈连接方式 Connection Type	DEUTCH	

产品编号/Product No.SB783 外观图/Overall Dimension
产品型号/Product Type XY13442



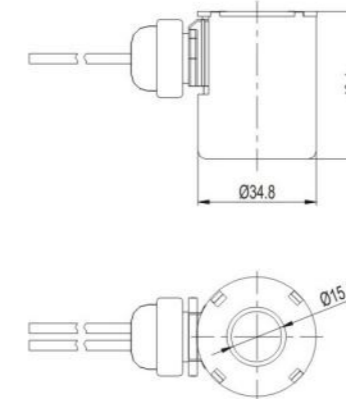
常规电压 Normal Voltage	DC24V	
常规功率 Normal Power	AC	
	DC	14W
其他特种电压、特种功率可定做 Other voltage and power can be customized		
绝缘等级 Insulation Class	H、N	
线圈连接方式 Connection Type	DEUTCH	

产品编号/Product No.SB776 外观图/Overall Dimension
产品型号/Product Type SK13372S



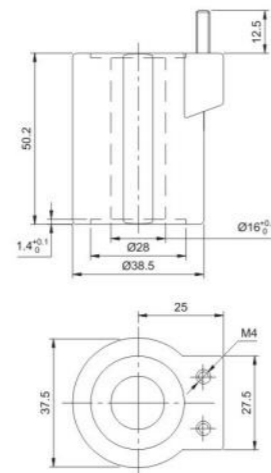
常规电压 Normal Voltage	DC24V、DC12V	
常规功率 Normal Power	AC	
	DC	21W
其他特种电压、特种功率可定做 Other voltage and power can be customized		
绝缘等级 Insulation Class	H	
线圈连接方式 Connection Type	螺纹式 With Screw	

产品编号/Product No.SB784 外观图/Overall Dimension
产品型号/Product Type XY15432



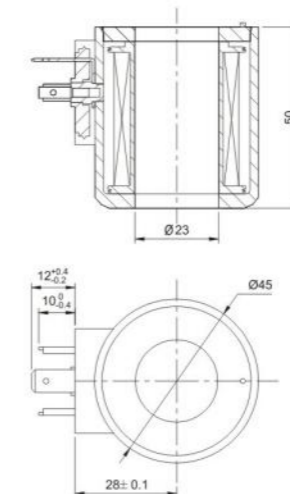
常规电压 Normal Voltage	DC24V	
常规功率 Normal Power	AC	
	DC	19W
其他特种电压、特种功率可定做 Other voltage and power can be customized		
绝缘等级 Insulation Class	H	
线圈连接方式 Connection Type	引线式 With Flying leads	

产品编号/Product No.SB777 外观图/Overall Dimension
产品型号/Product Type SK16502S



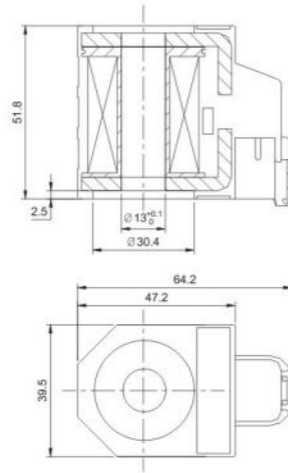
常规电压 Normal Voltage	DC24V、DC12V	
常规功率 Normal Power	AC	
	DC	32.5W
其他特种电压、特种功率可定做 Other voltage and power can be customized		
绝缘等级 Insulation Class	H	
线圈连接方式 Connection Type	螺纹式 With Screw	

产品编号/Product No.SB785 外观图/Overall Dimension
产品型号/Product Type XY23503



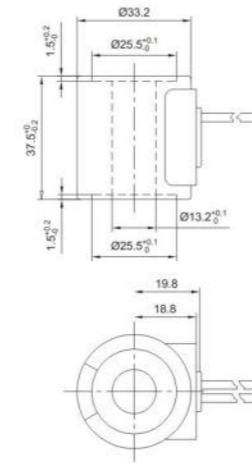
常规电压 Normal Voltage	DC24V	
常规功率 Normal Power	AC	
	DC	30W
其他特种电压、特种功率可定做 Other voltage and power can be customized		
绝缘等级 Insulation Class	H	
线圈连接方式 Connection Type	DIN43650A	

产品编号/Product No.SB794 外观图/Overall Dimension
产品型号/Product Type XY13512



常规电压 Normal Voltage	DC12V、DC24V	
常规功率 Normal Power	AC	
	DC	21W
其他特种电压、特种功率可定做 Other voltage and power can be customized		
绝缘等级 Insulation Class	H	
线圈连接方式 Connection Type	DEUTCH	

产品编号/Product No.SB901 外观图/Overall Dimension
产品型号/Product Type XY13372X



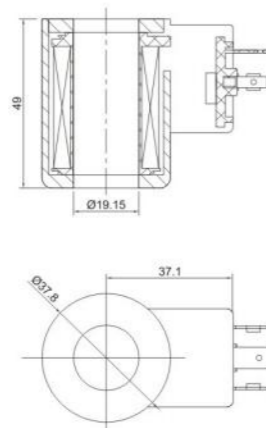
常规电压 Normal Voltage	DC12V	
常规功率 Normal Power	AC	
	DC	16W 18W
其他特种电压、特种功率可定做 Other voltage and power can be customized		
绝缘等级 Insulation Class	H	
线圈连接方式 Connection Type	引线式 With Flying Leads	

产品编号/Product No.SB795 外观图/Overall Dimension
产品型号/Product Type XY5M13-1



常规电压 Normal Voltage	AC220V、AC110V、DC24V、DC12V	
常规功率 Normal Power	AC	13VA
	DC	10W
其他特种电压、特种功率可定做 Other voltage and power can be customized		
绝缘等级 Insulation Class	H	
线圈连接方式 Connection Type	DIN43650A	

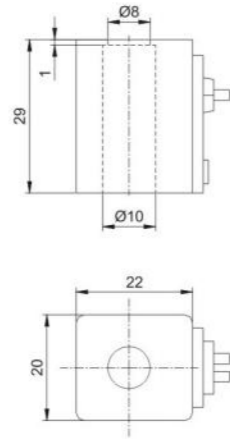
产品编号/Product No.SB889 外观图/Overall Dimension
产品型号/Product Type XY19503



常规电压 Normal Voltage	RAC230V DC24V DC12V	
常规功率 Normal Power	AC	
	DC	27W
其他特种电压、特种功率可定做 Other voltage and power can be customized		
绝缘等级 Insulation Class	H	
线圈连接方式 Connection Type	DIN43650A	

产品编号/Product No.SB249
产品型号/Product Type F17

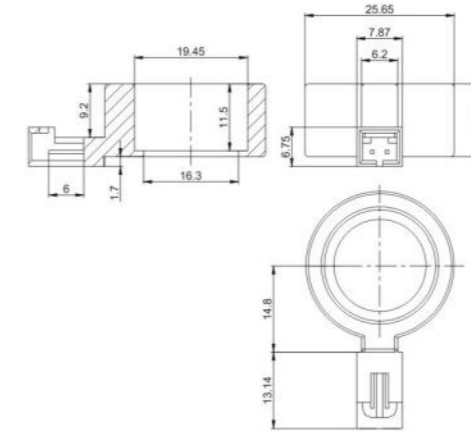
外观图/Overall Dimension



常规电压 Normal Voltage	DC28V DC12V	
常规功率 Normal Power	AC	
	DC	5W
其他特种电压、特种功率可定做 Other voltage and power can be customized		
绝缘等级 Insulation Class	H	
线圈连接方式 Connection Type	引线式 With Flying leads	

产品编号/Product No.SB585
产品型号/Product Type 25LL

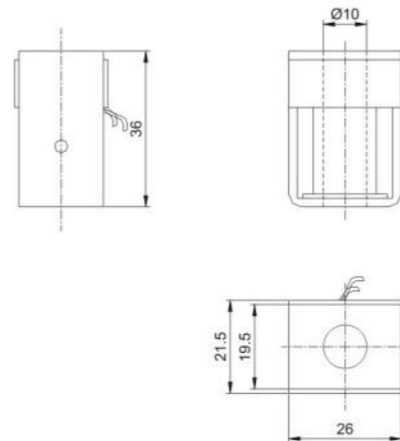
外观图/Overall Dimension



常规电压 Normal Voltage	DC24V DC12V	
常规功率 Normal Power	AC	
	DC	2.5W
其他特种电压、特种功率可定做 Other voltage and power can be customized		
绝缘等级 Insulation Class	F、H	
线圈连接方式 Connection Type	针式 Needle Type	

产品编号/Product No.SB449
产品型号/Product Type 102A

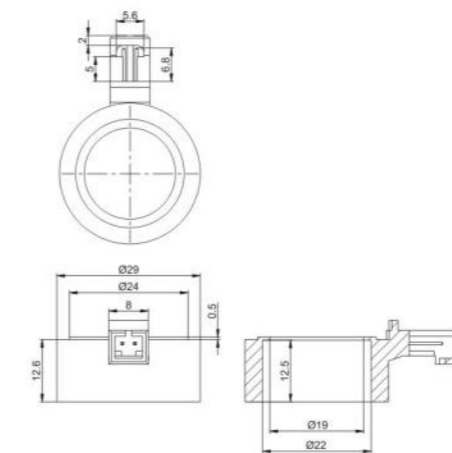
外观图/Overall Dimension



常规电压 Normal Voltage	DC24V DC6V	
常规功率 Normal Power	AC	
	DC	9W
其他特种电压、特种功率可定做 Other voltage and power can be customized		
绝缘等级 Insulation Class	H	
线圈连接方式 Connection Type	引线式 With Flying leads	

产品编号/Product No.SB586
产品型号/Product Type 30XP

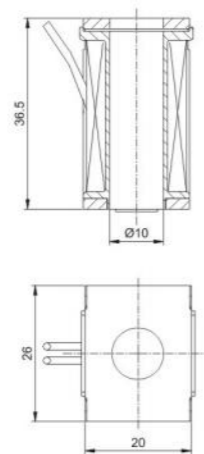
外观图/Overall Dimension



常规电压 Normal Voltage	DC24V DC12V	
常规功率 Normal Power	AC	
	DC	2.5W
其他特种电压、特种功率可定做 Other voltage and power can be customized		
绝缘等级 Insulation Class	F、H	
线圈连接方式 Connection Type	针式 Needle Type	

产品编号/Product No.SB530
产品型号/Product Type XY10372

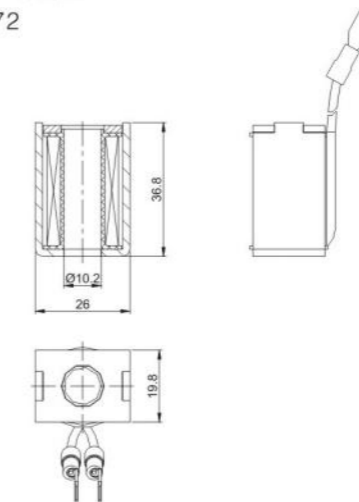
外观图/Overall Dimension



常规电压 Normal Voltage	RAC110V	
常规功率 Normal Power	AC	
	DC	10W
其他特种电压、特种功率可定做 Other voltage and power can be customized		
绝缘等级 Insulation Class	H	
线圈连接方式 Connection Type	引线式 With Flying Leads	

产品编号/Product No.SB589
产品型号/Product Type SOVA42172

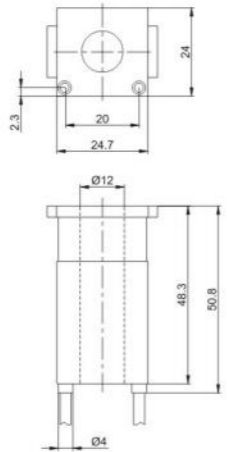
外观图/Overall Dimension



常规电压 Normal Voltage	DC24V DC12V	
常规功率 Normal Power	AC	
	DC	12W 10W
其他特种电压、特种功率可定做 Other voltage and power can be customized		
绝缘等级 Insulation Class	H	
线圈连接方式 Connection Type	引线式 With Flying Leads	

◎ 产品编号/Product No.SB718
产品型号/Product Type ERB

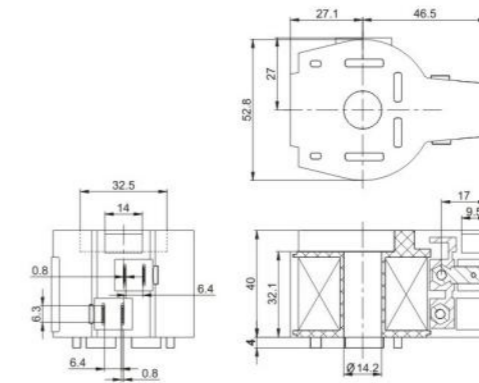
外观图/Overall Dimension



常规电压 Normal Voltage	DC24V DC12V	
常规功率 Normal Power	AC	38W
	DC	
其他特种电压、特种功率可定做 Other voltage and power can be customized		
绝缘等级 Insulation Class	H	
线圈连接方式 Connection Type	引线式 With Flying Leads	

◎ 产品编号/Product No.SB733
产品型号/Product Type XY14324

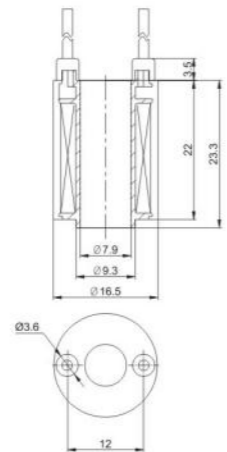
外观图/Overall Dimension



常规电压 Normal Voltage	DC110V	
常规功率 Normal Power	AC	12W
	DC	
其他特种电压、特种功率可定做 Other voltage and power can be customized		
绝缘等级 Insulation Class	H	
线圈连接方式 Connection Type	6.3×0.8	

◎ 产品编号/Product No.SB720
产品型号/Product Type XXF-10

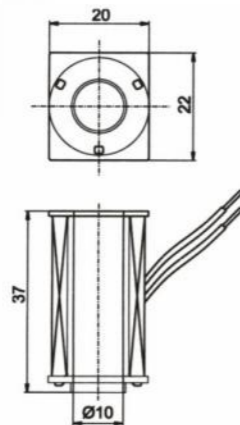
外观图/Overall Dimension



常规电压 Normal Voltage	DC24V	
常规功率 Normal Power	AC	1.5W
	DC	
其他特种电压、特种功率可定做 Other voltage and power can be customized		
绝缘等级 Insulation Class	H	
线圈连接方式 Connection Type	引线式 With Flying Leads	

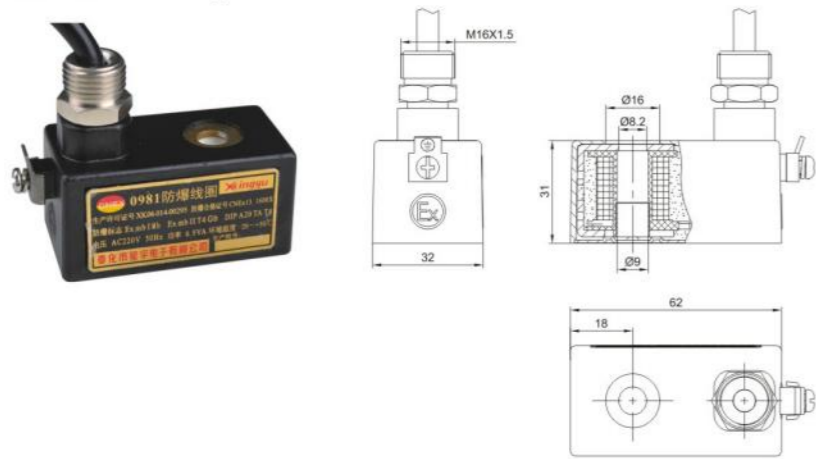
◎ 产品编号/Product No.SB725
产品型号/Product Type ZL10352X

外观图/Overall Dimension



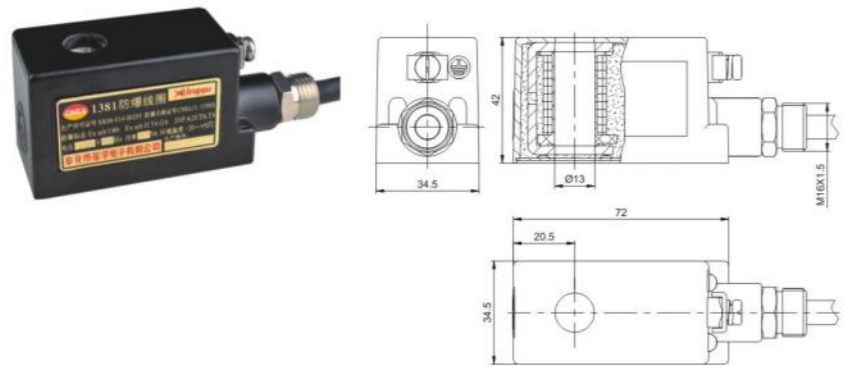
常规电压 Normal Voltage	AC220V	
常规功率 Normal Power	AC	
	DC	
其他特种电压、特种功率可定做 Other voltage and power can be customized		
绝缘等级 Insulation Class	F	
线圈连接方式 Connection Type	引线式 With Flying Leads	

产品编号/Product No.SB280 外观图/Overall Dimension
产品型号/Product Type 0980、0981



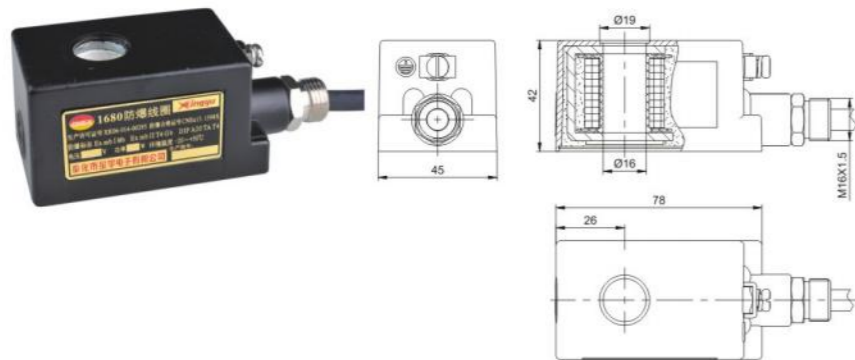
常规电压 Normal Voltage	AC220V AC110V DC24V DC12V	
常规功率 Normal Power	AC	5.5VA
	DC	4W
防爆等级 Ex-proof grade	Ex mb I Mb Ex mb II T4 Gb DIP A20 TA T4	
线圈连接方式 Connection Type	电缆线 Connector type Cable	
生产许可证号 No.Production License	XK06-014-00295	
防爆合格证号 Ex-proof certificate No.	CNEEx13.1600X	

产品编号/Product No.SB281 外观图/Overall Dimension
产品型号/Product Type 1380、1381



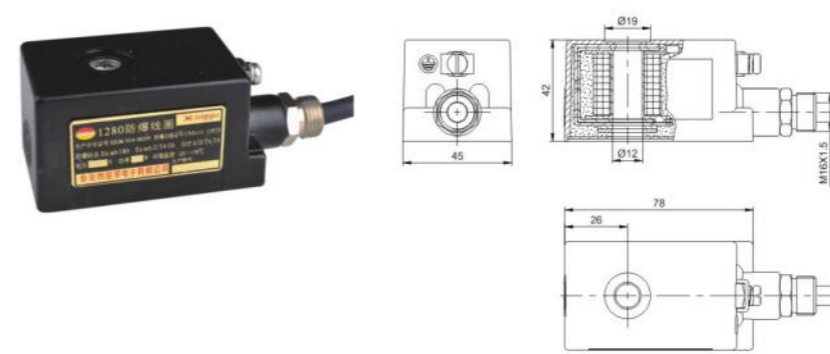
常规电压 Normal Voltage	AC220V AC110V DC24V DC12V	
常规功率 Normal Power	AC	12VA
	DC	11W
防爆等级 Ex-proof grade	Ex mb I Mb Ex mb II T4 Gb DIP A20 TA T4	
线圈连接方式 Connection Type	电缆线 Connector type Cable	
生产许可证号 No.Production License	XK06-014-00295	
防爆合格证号 Ex-proof certificate No.	CNEEx13.1599X	

产品编号/Product No.SB282 外观图/Overall Dimension
产品型号/Product Type 1680、1681



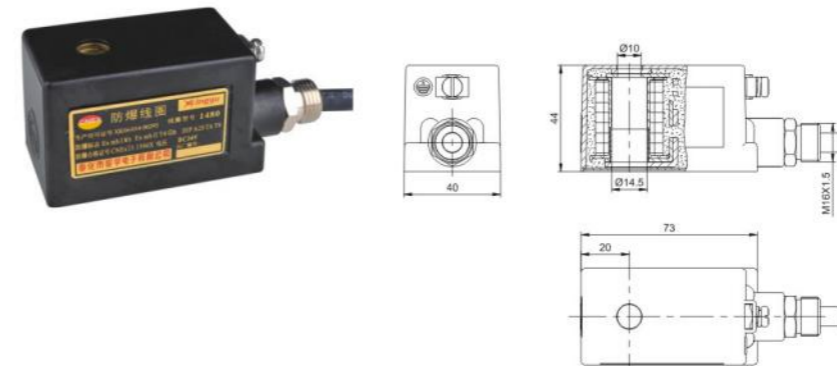
常规电压 Normal Voltage	AC220V AC110V DC24V DC12V	
常规功率 Normal Power	AC	18VA
	DC	17W
防爆等级 Ex-proof grade	Ex mb I Mb Ex mb II T4 Gb DIP A20 TA T4	
线圈连接方式 Connection Type	电缆线 Connector type Cable	
生产许可证号 No.Production License	XK06-014-00295	
防爆合格证号 Ex-proof certificate No.	CNEEx13.1598X	

产品编号/Product No.SB542 外观图/Overall Dimension
产品型号/Product Type 1281、1280



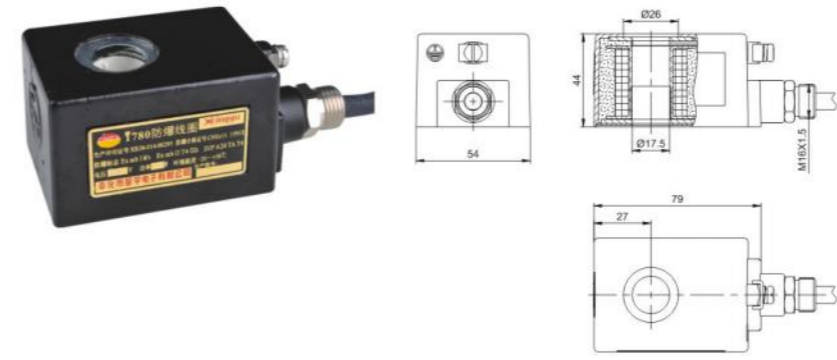
常规电压 Normal Voltage	AC220V AC110V DC24V DC12V	
常规功率 Normal Power	AC	13VA
	DC	15W
防爆等级 Ex-proof grade	Ex mb I Mb Ex mb II T4 Gb DIP A20 TA T4	
线圈连接方式 Connection Type	电缆线 Connector type Cable	
生产许可证号 No.Production License	XK06-014-00295	
防爆合格证号 Ex-proof certificate No.	CNEEx13.1597X	

产品编号/Product No.SB543 外观图/Overall Dimension
产品型号/Product Type 1481、1480



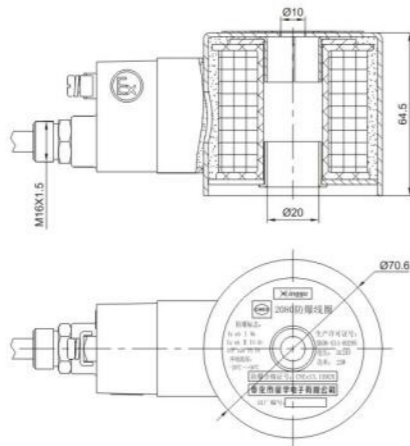
常规电压 Normal Voltage	AC380V AC220V DC24V DC12V	
常规功率 Normal Power	AC	23VA
	DC	13W
防爆等级 Ex-proof grade	Ex mb I Mb Ex mb II T4 Gb DIP A20 TA T4	
线圈连接方式 Connection Type	电缆线 Connector type Cable	
生产许可证号 No.Production License	XK06-014-00295	
防爆合格证号 Ex-proof certificate No.	CNEEx13.1596X	

产品编号/Product No.SB544 外观图/Overall Dimension
产品型号/Product Type 1781、1780



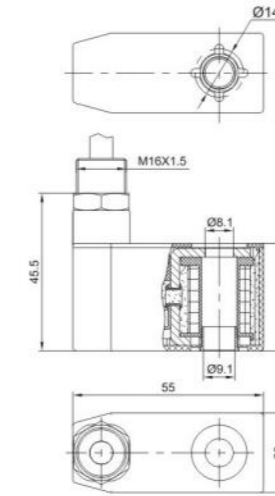
常规电压 Normal Voltage	AC220V AC110V DC24V DC12V	
常规功率 Normal Power	AC	28VA
	DC	12W
防爆等级 Ex-proof grade	Ex mb I Mb Ex mb II T4 Gb DIP A20 TA T4	
线圈连接方式 Connection Type	电缆线 Connector type Cable	
生产许可证号 No.Production License	XK06-014-00295	
防爆合格证号 Ex-proof certificate No.	CNEEx13.1595X	

产品编号/Product No.SB545 外观图/Overall Dimension
产品型号/Product Type 2081、2080



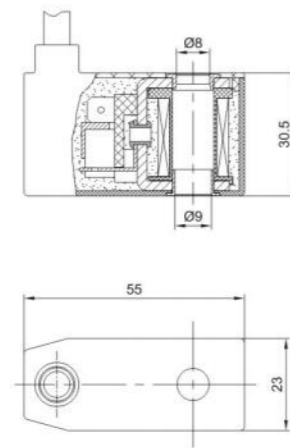
常规电压 Normal Voltage	AC220V AC110V DC24V DC12V	
常规功率 Normal Power	AC	18VA
	DC	17W
防爆等级 Ex-proof grade	Ex mb I Mb Ex mb II T4 Gb DIP A20 TA T4	
线圈连接方式 Connection Type	电缆线 Connector type Cable	
生产许可证号 No. Production License	XK06-014-00295	
防爆合格证号 Ex-proof certificate No.	CNEx13.1592X	

产品编号/Product No.SB580 外观图/Overall Dimension
产品型号/Product Type EX09301C



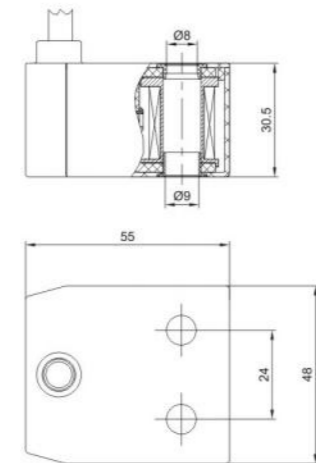
常规电压 Normal Voltage	AC220V AC110V DC24V DC12V	
常规功率 Normal Power	AC	5VA
	DC	5W
绝缘等级 Insulation Class	H	
防爆等级 Ex-proof grade	Ex mb II T4 Gb DIP A20 T2 T4	
线圈连接方式 Connection Type	电缆线 Connector type Cable	
防爆合格证号 Ex-proof certificate No.	CNEx13.1601X	

产品编号/Product No.SB549 外观图/Overall Dimension
产品型号/Product Type EX09301



常规电压 Normal Voltage	AC220V AC110V DC24V DC12V	
常规功率 Normal Power	AC	5VA
	DC	5W
绝缘等级 Insulation Class	H	
防爆等级 Ex-proof grade	Ex mb II T4 Gb DIP A20 T2 T4	
线圈连接方式 Connection Type	电缆线 Connector type Cable	
防爆合格证号 Ex-proof certificate No.	CNEx13.1601X	

产品编号/Product No.SB557 外观图/Overall Dimension
产品型号/Product Type EX209301



常规电压 Normal Voltage	AC220V AC110V DC24V DC12V	
常规功率 Normal Power	AC	5VA X 2
	DC	5W X 2
绝缘等级 Insulation Class	H	
防爆等级 Ex-proof grade	Ex mb II T4 Gb DIP A20 T2 T4	
线圈连接方式 Connection Type	电缆线 Connector type Cable	
防爆合格证号 Ex-proof certificate No.	CNEx13.1594X	

说明

接线盒又名连接器，广泛应用于液压、气动、电器等行业中，作为电磁阀线圈等与外界控制部分的电气连接。本公司生产的接线盒，遵从IEC60529标准，符合DIN43650A/B/C。采用优质树脂和高导弹簧插片，具有强度高，阻燃性好接触性能优良等特点，并有各种颜色，各种材料，不同电压，不同电路的多种规格供您选择。如您有什么特殊的要求，请与我们联系。

Connectors widely used in Hydraulic, pneumatic, electrical equipment. Our connectors comply with standard IEC60529, include DIN43650A, DIN43650B & DIN43650C. Made from high quality plastic & high elasticity contact, our connectors has high strength, nice fire resistance and good contact. And there are some different colors, different materials, different circuits for choice. If you have special requirement, pls. contact us.

◎ 编号说明及定货方式 The serial number elucidation & Order the way

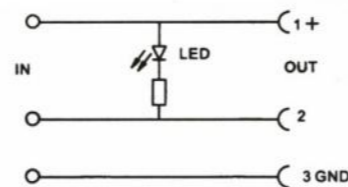
SB - X X X X XXXXX

- 电压表示
AC 220V 等/220V AC ect.
DC 24V等/24V DC ect.
- 电路形式/Circuit version
0无路直接引出
1.NO.1电路连接/NO.1 Circuit connector
2.NO.2电路连接/NO.2 Circuit connector
3.NO.3电路连接/NO.3 Circuit connector
4.NO.4电路连接/NO.4 Circuit connector
- 垫片和中间螺纹/Gasket and central-fixing screw
1.异形垫片+常规螺钉/Nitrile profile+standard screw
2.平垫片+常规螺钉/Nitrile flat+standard screw
3.异形垫片+特种螺钉/Nitrile profile+special screw
4.平垫片+特种螺钉/Nitrile flat+special screw
- 外壳颜色/Housing color
1.黑色/Black
2.棕色半透明/Brown ground
3.透明/Translucent
- 标准形式/Standard form
A=18mm DIN43650A 2+GND
B=11mm DIN43650B 2+GND
C=9.4mm DIN43650C 2+GND
D=18mm DIN43650A 3+GND
E=9.4mm DIN43650C 3+GND

例：订货号:SB-B323-AC110V
即为:编号SB205 DIN43650B接口，透明带压敏电阻，带LED指示AC110产品。

E.g:P/O No.SB-B323-AC110V
Viz:CODE NO.: SB205 DIN43650B,transparent,with LED/VDR,AC110V

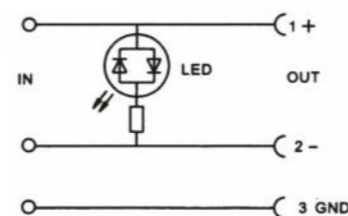
◎ 接线盒电气线路说明



NO.1

发光二极管与电阻串联作为电压指示，适用于交、直流。

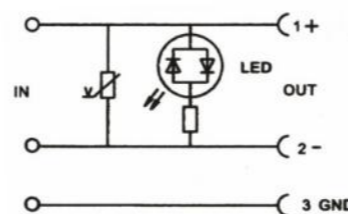
Series connection of LED and resistance shows the voltage, used for both AC and DC.



NO.2

双向LED与电阻串联作为电压指示，适用于交、直流。

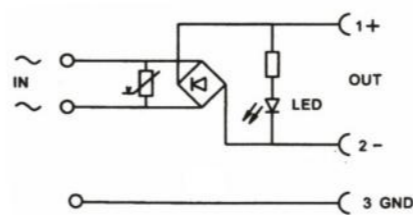
Series connection of two-way LED and resistance shows the voltage, used for both AC and DC.



NO.3

双向LED与电阻串联作为电压指示，与压敏电阻并联作为过压保护及浪涌吸引，适用于交、直流。

Series connection of two-way LED and resistance shows the voltage, Varistors overrun voltage protection, surge attraction, used for both AC and DC.



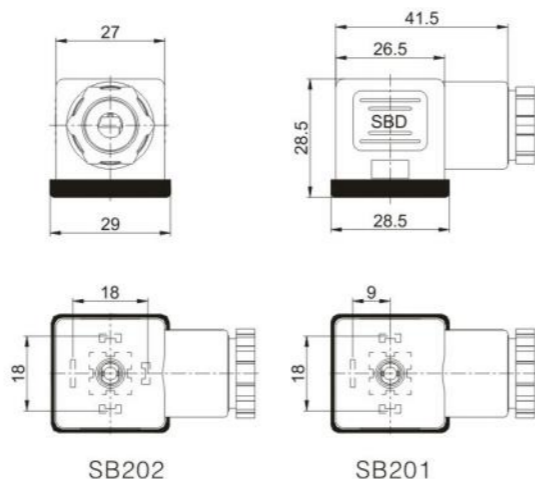
NO.4

压敏电阻过压保护及浪涌吸引，桥堆全桥整流、LED作为电压指示。适用于RAC线圈。

Varistors overrun voltage protection, surge attraction, rectifier full-bridge rectification, rectifier full-bridge rectification, LED as voltage direction used for RAC coil.

◎ 产品编号/Product No.SB201 SB202
产品型号/Product Type DIN 43650A

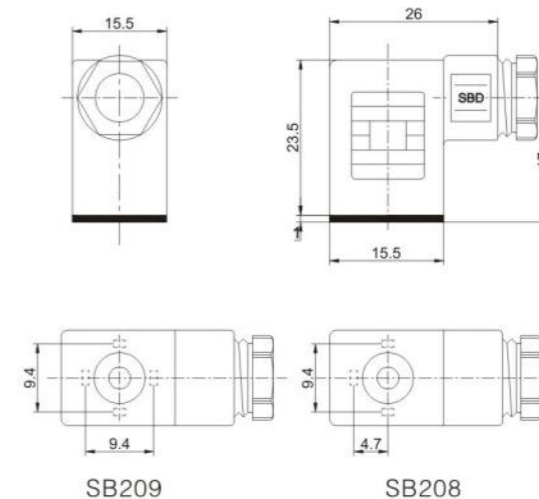
◎ 外观图/Overall Dimension



插脚间距:18mm	Distance:18mm
插脚形式:2+1GND, 3+1GND	Form:2+1GND, 3+1GND
防护等级:IP65 (IEC 60529正常安装情况下)	Protection Class:IP65 (IEC 60529Situation of IEC)
工作电压:AC250V DC300V	Working Voltage:AC250V DC300V
额定电流:10A	Nomical Current:10A
接触电阻:≤5mΩ	Contact Resistance:≤5mΩ
最大引出线:3x1.5mm ²	Max Conductor Section:3x1.5mm ²
安装螺钉:M3x28	Fixing Screw:M3x28

◎ 产品编号/Product No.SB208 SB209
产品型号/Product Type DIN 43650C

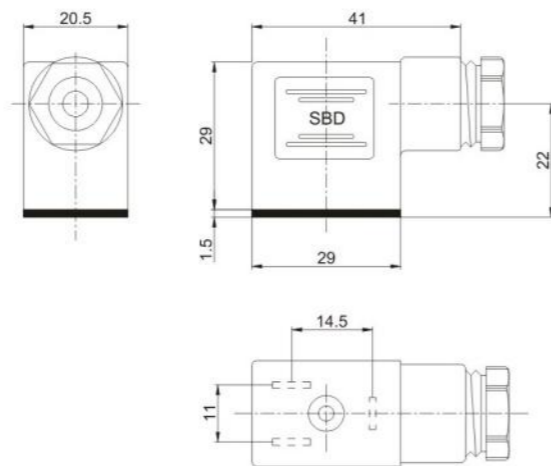
◎ 外观图/Overall Dimension



插脚间距:9.4mm	Distance:9.4mm
插脚形式:2+1GND 3+1GND	Form:2+1GND 3+1GND
防护等级:IP65 (IEC 60529正常安装情况下)	Protection Class:IP65 (IEC 60529Situation of IEC)
工作电压:AC250V DC300V	Working Voltage:AC250V DC300V
额定电流:10A	Nomical Current:10A
接触电阻:≤5mΩ	Contact Resistance:≤5mΩ
最大引出线:3x0.75mm ²	Max Conductor Section:3x0.75mm ²
安装螺钉:M3x25	Fixing Screw:M3x25

◎ 产品编号/Product No.SB204
产品型号/Product Type DIN 43650B

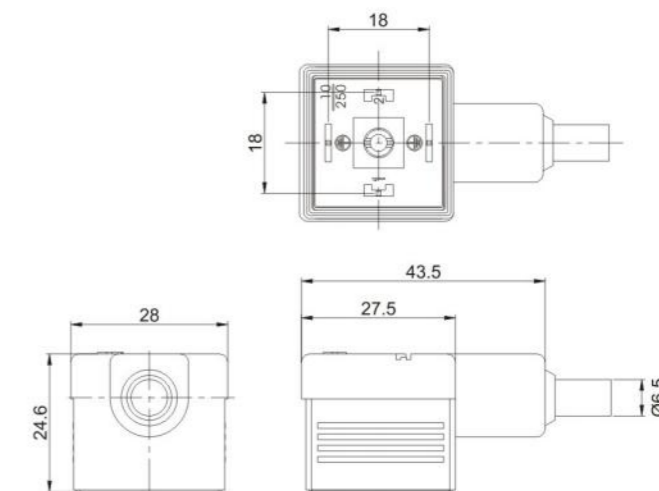
◎ 外观图/Overall Dimension



插脚间距:11mm	Distance:11mm
插脚形式:2+1GND	Form:2+1GND
防护等级:IP65 (IEC 60529正常安装情况下)	Protection Class:IP65 (IEC 60529Situation of IEC)
工作电压:AC250V DC300V	Working Voltage:AC250V DC300V
额定电流:10A	Nomical Current:10A
接触电阻:≤5mΩ	Contact Resistance:≤5mΩ
最大引出线:3x1.5mm ²	Max Conductor Section:3x1.5mm ²
安装螺钉:M3x30	Fixing Screw:M3x30

◎ 产品编号/Product No.SB210
产品型号/Product Type 0200-体化

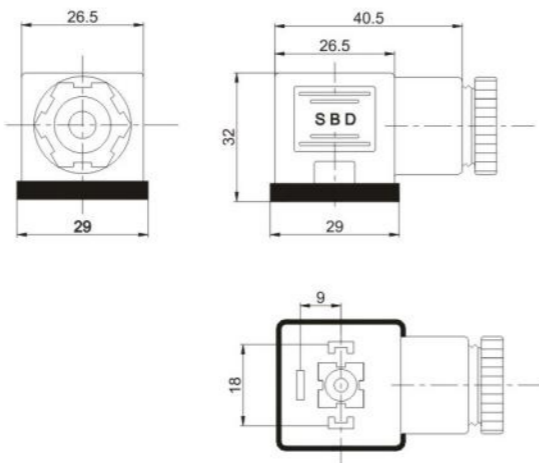
◎ 外观图/Overall Dimension



插脚间距:18mm	Distance:18mm
插脚形式:2+2GND	Form:2+2GND
防护等级:IP65 (IEC 60529正常安装情况下)	Protection Class:IP65 (IEC 60529Situation of IEC)
工作电压:AC250V DC300V	Working Voltage:AC250V DC300V
额定电流:10A	Nomical Current:10A
接触电阻:≤5mΩ	Contact Resistance:≤5mΩ
引出线:电电缆3x0.75mm ²	Conductor Section:Cable conductor 3x0.75mm ²
安装螺钉:M3x30	Fixing Screw:M3x30

◎ 产品编号/Product No.SB211
产品型号/Product Type DIN 43650A 整流

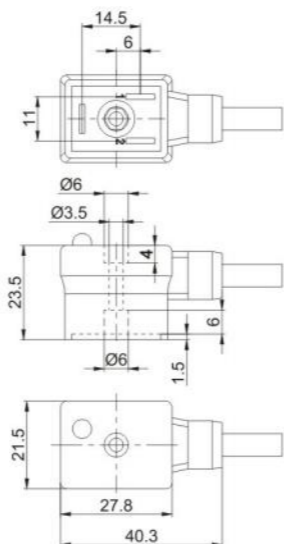
◎ 外观图/Overall Dimension



插脚间距:18mm	Distance:18mm
插脚形式:2+1GND	Form:2+1GND
防护等级:IP65 (IEC 60529正常安装情况下)	Protection Class:IP65 (IEC 60529Situation of IEC)
工作电压:AC380V AC220V AC110V	Working Voltage:AC380V AC220V AC110V
额定电流:1.5A	Nomical Current:1.5A
接触电阻:≤5mΩ	Contact Resistance:≤5mΩ
最大引出线:3x1.5mm ²	Max Conductor Section:3x1.5mm ²
安装螺钉:M3x30	Fixing Screw:M3x30

◎ 产品编号/Product No.SB213
产品型号/Product Type 210-体化

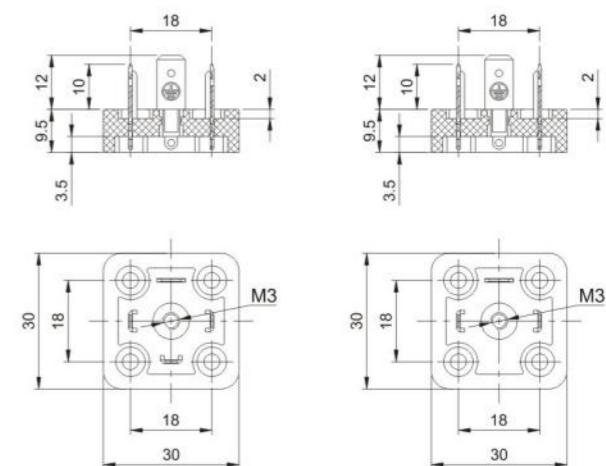
◎ 外观图/Overall Dimension



插脚间距:11mm	Distance:11mm
插脚形式:2+1GND	Form:2+1GND
防护等级:IP65 (IEC 60529正常安装情况下)	Protection Class:IP65 (IEC 60529Situation of IEC)
工作电压:AC250V DC300V	Working Voltage:AC250V DC300V
额定电流:10A	Nomical Current:10A
接触电阻:≤5mΩ	Contact Resistance:≤5mΩ
引出线:电缆3x0.75mm ²	Conductor Section:Cable conductor 3x0.75mm ²
安装螺钉:M3x30	Fixing Screw:M3x30

◎ 产品编号/Product No.SB214
产品型号/Product Type F4 Connector

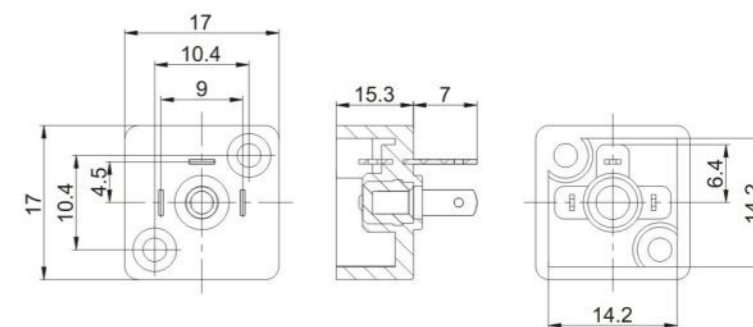
◎ 外观图/Overall Dimension



插脚间距:18mm	Distance:18mm
插脚形式:2+1GND 3+1GND	Form:2+1GND 3+1GND
防护等级:IP65 (IEC 60529正常安装情况下)	Protection Class:IP65 (IEC 60529Situation of IEC)
工作电压:AC250V DC300V	Working Voltage:AC250V DC300V
额定电流:10A	Nomical Current:10A
接触电阻:≤5mΩ	Contact Resistance:≤5mΩ
安装螺钉:M3	Fixing Screw:M3

◎ 产品编号/Product No.SB217
产品型号/Product Type 110公插脚

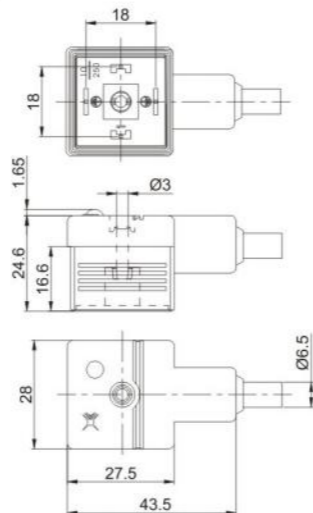
◎ 外观图/Overall Dimension



插脚间距:9mm	Distance:9mm
插脚形式:3	Form:3
防护等级:IP65 (IEC 60529正常安装情况下)	Protection Class:IP65 (IEC 60529Situation of IEC)
工作电压:AC250V DC300V	Working Voltage:AC250V DC300V
额定电流:10A	Nomical Current:10A
接触电阻:≤5mΩ	Contact Resistance:≤5mΩ
安装螺钉:M3	Fixing Screw:M3

◎ 产品编号/Product No.SB218
产品型号/Product Type 0200-体化带灯

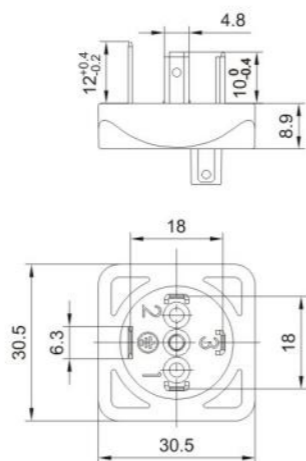
◎ 外观图/Overall Dimension



插脚间距:18mm	Distance:18mm
插脚形式:2+2GND	Form:2+2GND
防护等级:IP65 (IEC 60529正常安装情况下)	Protection Class:IP65 (IEC 60529Situation of IEC)
工作电压:AC250V DC300V	Working Voltage:AC250V DC300V
额定电流:10A	Nomical Current:10A
接触电阻:≤5mΩ	Contact Resistance:≤5mΩ
电源指示:AC:灯亮为ON, 灯灭为OFF	Indicator :AC:Light open is "ON",Light out is "OFF"
DC:绿灯亮为正向开, 红灯亮为反向开	DC:Green light for a positive open,the red light for the reverse-open
引出线: 电缆线3x0.75mm ²	Conductor :Cable conductor 3x0.75mm ²
安装螺钉:M3x30	Fixing Screw:M3x30

◎ 产品编号/Product No.SB222
产品型号/Product Type 0200公插座

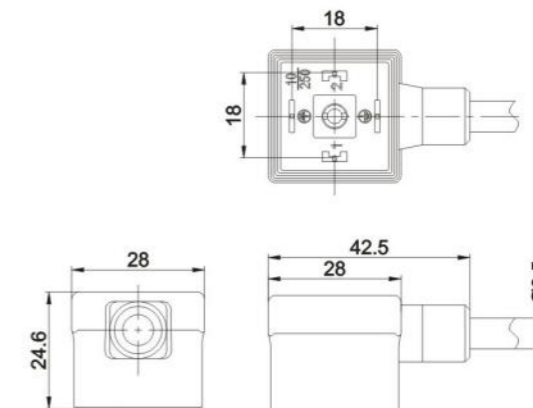
◎ 外观图/Overall Dimension



插脚间距:18mm	Distance:18mm
插脚形式: 3+1GND	Form:3+1GND
防护等级:IP65 (IEC 60529正常安装情况下)	Protection Class:IP65(60529 Situation of IEC)
工作电压:AC250V DC300V	Working Voltage:AC250V DC300V
额定电流:10A	Nomical Current:10A
接触电阻:≤5mΩ	Contact Resistance:≤5mΩ
安装螺钉:M3	Fixing Screw:M3

◎ 产品编号/Product No.SB223
产品型号/Product Type 0200S-体化接线盒

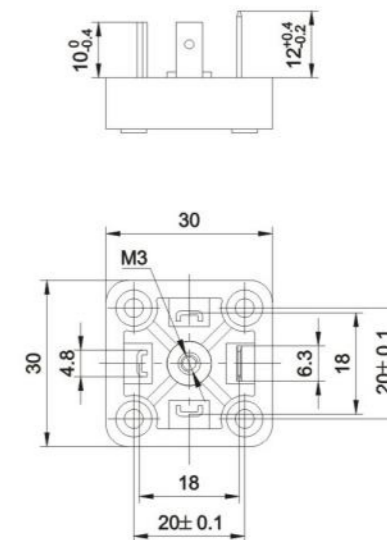
◎ 外观图/Overall Dimension



插脚间距:18mm	Distance:18mm
插脚形式:2+2GND	Form:2+2GND
防护等级:IP65 (IEC 60529正常安装情况下)	Protection Class:IP65 (IEC 60529Situation of IEC)
工作电压:AC250V DC300V	Working Voltage:AC250V DC300V
额定电流:10A	Nomical Current:10A
接触电阻:≤5mΩ	Contact Resistance:≤5mΩ
引出线:电缆线3x0.75mm ²	Conductor Section:Cable conductor 3x0.75mm ²
安装螺钉:M3x30	Fixing Screw:M3x30

◎ 产品编号/Product No.SB224
产品型号/Product Type F5插座

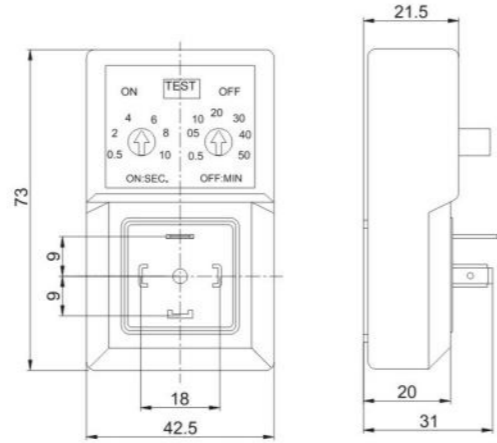
◎ 外观图/Overall Dimension



插脚间距:18mm	Distance:18mm
插脚形式:2+1GND 3+1GND	Form:2+1GND 3+1GND
防护等级:IP65 (IEC 60529正常安装情况下)	Protection Class:IP65 (IEC 60529Situation of IEC)
工作电压:AC250V DC300V	Working Voltage:AC250V DC300V
额定电流:10A	Nomical Current:10A
接触电阻:≤5mΩ	Contact Resistance:≤5mΩ
安装螺钉:M3	Fixing Screw:M3

● 产品编号/Product No.SB231
产品型号/Product Type XY-720

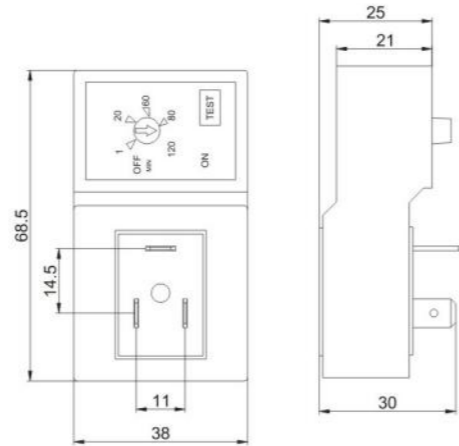
● 外观图/Overall Dimension



使用电压 Supply voltage	24..240V AC/DC-50Hz/60Hz for "CE" marked Timer	通电率 Duty cycle	100%ED
静态电流 Absorption current	4mA Max	开关寿命 Switch Life	3x10 ⁸
工作温度 Operating temperature	-10°C+50°C	Time ON:	from 0.5 to 10s.
保护等级 Class protection	IP65-EN 60529	Time OFF:	from 0.5 to 45 min
开关保持电压 Switch holding voltage	400V Max	指示 Indicators	Yellow LED
开关容量 Switch capacity	1A	手动 Manual override	Test
瞬时电流 Inrush current	10A for 10 ms	连接方式 Termination	DIN43650A

● 产品编号/Product No.SB232
产品型号/Product Type XY-11

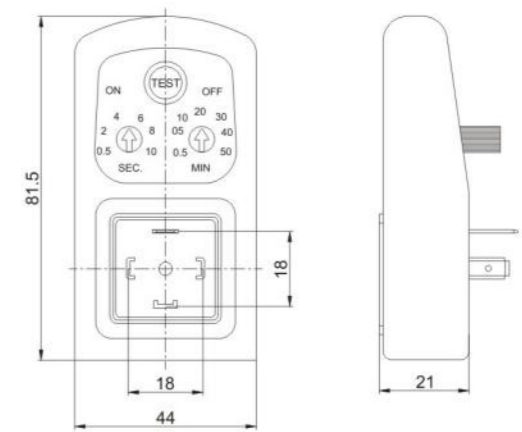
● 外观图/Overall Dimension



使用电压 Supply voltage	24..240V AC/DC-50Hz/60Hz for "CE" marked Timer	通电率 Duty cycle	100%ED
静态电流 Absorption current	4mA Max	开关寿命 Switch Life	3x10 ⁸
工作温度 Operating temperature	-10°C+50°C	Time ON:	from 2s.
保护等级 Class protection	IP65-EN 60529	Time OFF:	from 0.5 to 120 min
开关保持电压 Switch holding voltage	400V Max	指示 Indicators	Red LED
开关容量 Switch capacity	1A	手动 Manual override	Test
瞬时电流 Inrush current	10A for 10 ms	连接方式 Termination	DIN43650B

● 产品编号/Product No.SB234
产品型号/Product Type SMD-720

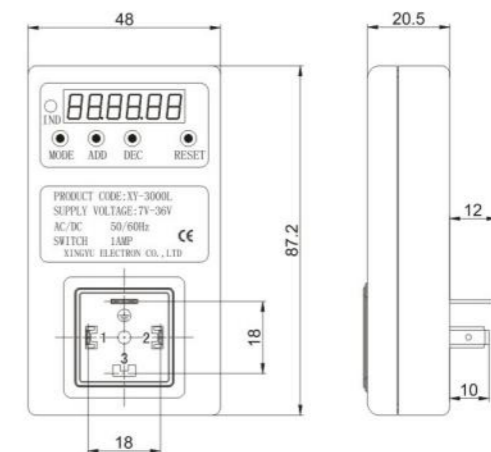
● 外观图/Overall Dimension



使用电压 Supply voltage	24..240V AC/DC-50Hz/60Hz for "CE" marked Timer	通电率 Duty cycle	100%ED
静态电流 Absorption current	4mA Max	开关寿命 Switch Life	3x10 ⁸
工作温度 Operating temperature	-10°C+50°C	Time ON:	from 0.5 to 10s.
保护等级 Class protection	IP65-EN 60529	Time OFF:	from 0.5 to 45 min
开关保持电压 Switch holding voltage	400V Max	指示 Indicators	Yellow LED
开关容量 Switch capacity	1A	手动 Manual override	Test
瞬时电流 Inrush current	10A for 10 ms	连接方式 Termination	DIN43650A

● 产品编号/Product No.SB230
产品型号/Product Type XY-3800

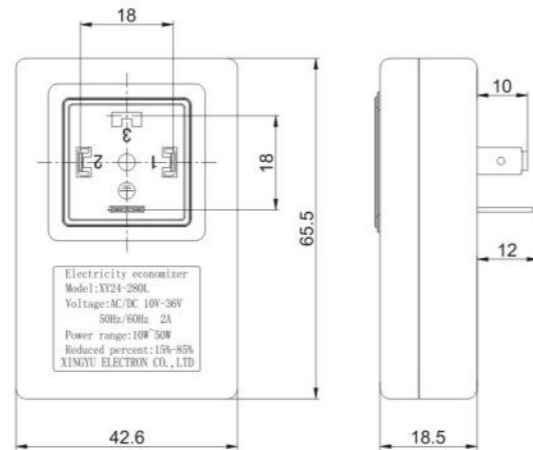
● 外观图/Overall Dimension



使用电源:高电压款 AC/DC 110 ~ 240V (XY-3800H) ; 低电压款AC/DC 7 ~ 36V (XY-3800L) 。	Power Supply:High voltage type AC/DC 110 ~ 240V (XY-3800H) ; Low voltage type AC/DC 7 ~ 36V (XY-3800L) 。
防护等级:IP65 (IEC60529正常安装情况下)	Class Protection:IP65-IEC60529
时间调节范围:开: 1Sec ~ 10min,关: 1Sec ~ 99h59min59Sec.	Wide adjustable range of time: open time; 1Sec~10min, close time; 1Sec~99h59min59sec.
功能模式:循环模式 (两种: 先开后关或先关后开) ; 单次模式 (两种: 指定时间开启或指定时间关闭) 。	Functional Model: Cycle Mode(Two kinds:open and close,or close and open) Single Mode(Two kinds:open at scheduled time or close at scheduled time)。
开关容量:1A/3A	Switch capacity:1A/3A
指示:灯亮为ON状态, 灯灭为OFF状态	Indicators:Light open is On, light out isOFF
连接方式:DIN 43650A	Termination:DIN 43650A

◎ 产品编号/Product No.SB238
产品型号/Product Type XY24-280

◎ 外观图/Overall Dimension



*注: 根据具体产品设计, 出厂后不可调。
Note: Depending on product design, after leaving the factory is not adjustable.

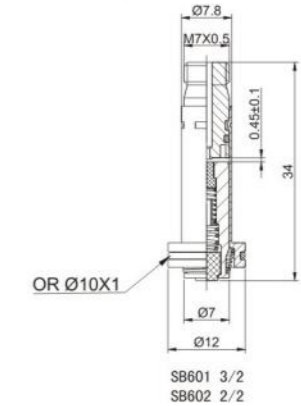
使用范围: (H型: AC 100V-280V 50/60Hz, 10-28W 1A) (L型: AC/DC 12V-36V, AC/50Hz-60Hz, 10W-50W 2A) (LA型: AC 37V-60V 50/60Hz, 10-28W 1A)	Power Supply: (Model H: AC 100V-280V 50/60Hz, 10-28W 1A) (Model L: AC/DC 12V-36V, AC/50Hz-60Hz, 10W-50W 2A) (Model LA: AC 37V-60V 50/60Hz, 10-28W 1A)
功率提升: 20% ~ 300% * (仅限于交流)。 特别适用于大体积、高负载产品。	Power upgrade: 20% ~ 300% * (Only used to AC)
节能效率: 15%~85% *。能大幅降低线圈温升问题。	Energy efficiency: 15%~85% *。
高功率启动时间0.3 ~ 2.5秒 *。	High-power start-up time: 0.3 ~ 2.5秒 *。
开关间隔时间0.7 ~ 5秒 *。	Switching interval: 0.7 ~ 5秒 *。
连接方式: DIN43650A	Termination: DIN43650A
防护等级: IP65 环境温度: -25°C ~ 90°C	Class Protection: IP65 Operating Termination: -25°C ~ 90°C

说明

- 1、特别选用高导磁、低剩磁、耐腐蚀材料制作动、静铁芯。
 - 2、隔磁管由铜管或不锈钢无缝管制作。
 - 3、密封材料可根据您的不同要求选用耐温级、耐油级和食品级等。
 - 4、有常开、常闭、交流、直流等多种不同规格供选用。
 - 5、本册为本公司具有代表性之简明说明, 未列出全部产品, 详情敬请垂询
1. Specially using high transmit magnetism, low remanence, endureable corrode matenal and ircn core
 2. Using copper tube or stainless steel tube as the partition material.
 3. Airproof material can make by requirement
 4. Straight on/off, AC and DC etc.
 5. ThiS brochure is a simple profile of ours .More details please contact with us

◎ 产品编号/Product No.SB601 3/2、SB602 2/2

◎ 外观图/Overall Dimension

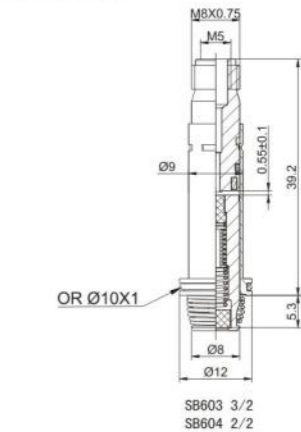


一般选用4V110、4V110A等电磁线圈配套, 常应用于如4V110等先导阀, 也应用于小型直动式电磁阀。

Normally using 4V110, 4V110A coil etc for matching 4V110 and small-size special solenoid valves.

◎ 产品编号/Product No.SB603 3/2、SB604 2/2

◎ 外观图/Overall Dimension

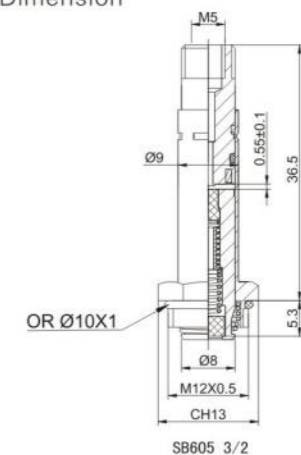


一般选用210A、3130等电磁线圈配套, 常应用于如4V210、4V310、4V410等先导阀

Normally using 210A, 3130 coil etc for matching 4V210, 4V310, 4V410 solenoid valves.

◎ 产品编号/Product No.SB605 3/2、SB606 2/2

◎ 外观图/Overall Dimension

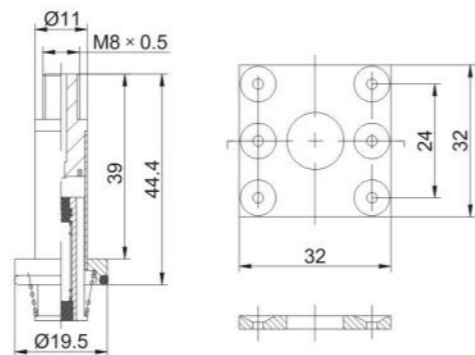


一般选用210A、3130等电磁线圈配套, 常应用于各种小型3/2、2/2电磁阀或先导阀。

Normally using 210A, 3130 coil etc for matching small-sized 3/2 and 2/2 solenoid valves, pilot valves.

◎ 产品编号/Product No.SB607 3/2、SB608 2/2

◎ 外观图/Overall Dimension



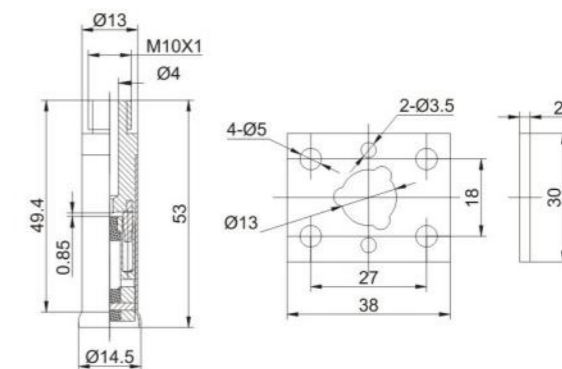
一般选用K23D-1.2电磁线圈配套，常应用于K23D-1.2先导阀。

Normally using K23D-1.2 coil etc for matching K23D-1.2 solenoid valves.

SB607 3/2
SB608 2/2

◎ 产品编号/Product No.SB613B 3/2

◎ 外观图/Overall Dimension

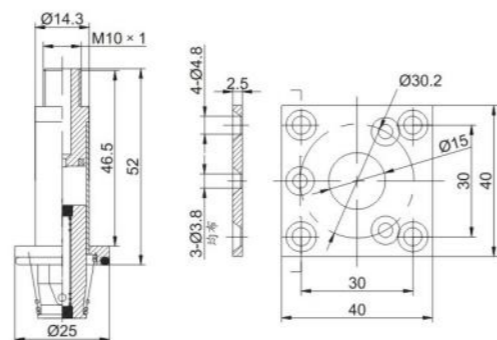


一般选用0200、0200B、0210等电磁线圈配套，常应用于23JD、滑阀、截止阀等先导部分。

Normally using 0200、0200B、0210 coil etc for matching 23JD, slide valve and close valves etc.

◎ 产品编号/Product No.SB609 3/2、SB610 2/2

◎ 外观图/Overall Dimension



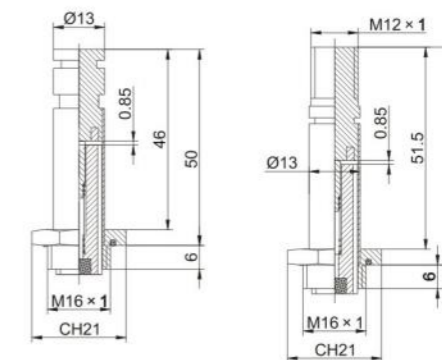
一般选用K23D-2电磁线圈配套，常应用于K23D-2先导阀。

Normally using K23D-2 coil etc for matching K23D-2 solenoid valves.

SB609 3/2
SB610 2/2

◎ 产品编号/Product No.SB614 2/2、SB615 2/2

◎ 外观图/Overall Dimension



一般选用0200等电磁线圈配套，常应用于09系列膜片阀、脉冲阀等。

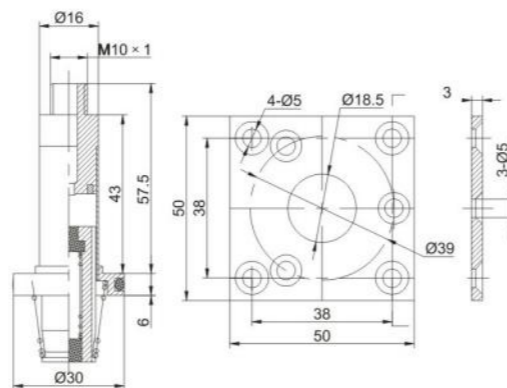
Normally using 0200 coil etc for matching 09 series diaphragm control valve and pulse valves etc.

SB614 2/2

SB615 2/2

◎ 产品编号/Product No.SB611 3/2、SB612 2/2

◎ 外观图/Overall Dimension



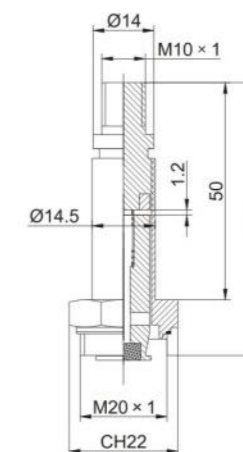
一般选用K23D-3电磁线圈配套，常应用于K23D-3先导阀。

Normally using K23D-3 coil etc for matching K23D-3 solenoid valves.

SB611 3/2
SB612 2/2

◎ 产品编号/Product No.SB616 2/2

◎ 外观图/Overall Dimension



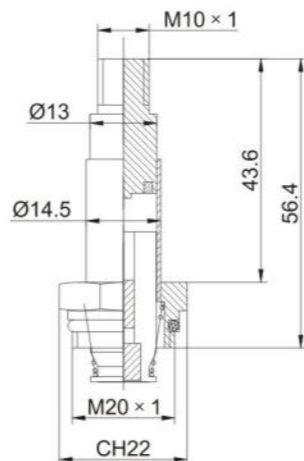
一般选用0543、0545等电磁线圈配套，常应用于各种二位二通电磁阀。

Normally using 0543,0545 coil etc for matching two-position two-way solenoid valves.

◎ 产品编号/Product No.SB617 2/2



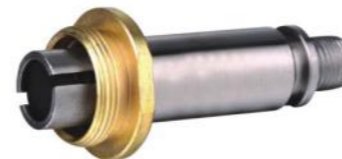
◎ 外观图/Overall Dimension



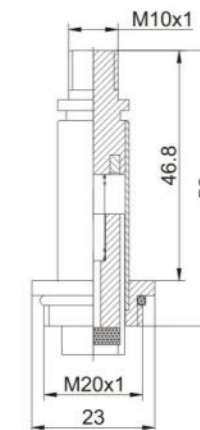
一般选用XM148、XY148等电磁线圈配套，常应用2/2、2/3电磁阀上。

Normally using XM148,XY148 coil etc for matching 2/2 and 2/3 solenoid valves.

◎ 产品编号/Product No.SB620



◎ 外观图/Overall Dimension



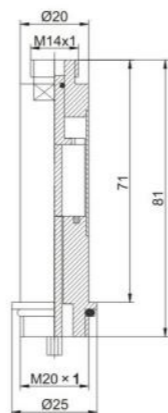
一般选用0543等电磁线圈配套，应用于2/2电磁阀。

Normally using 0543 coil etc, Ideal for 2/2 solenoid Valve.

◎ 产品编号/Product No.SB618



◎ 外观图/Overall Dimension



一般选用DSD-G02电磁线圈配套，常应用液压系统电磁阀。

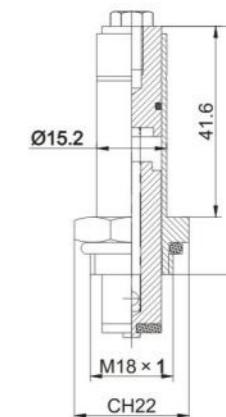
Normally using DSD-G02 coil,Ideal for hydraulic system.

SB618 26YC

◎ 产品编号/Product No.SB621
产品型号/Product Type 100613



◎ 外观图/Overall Dimension



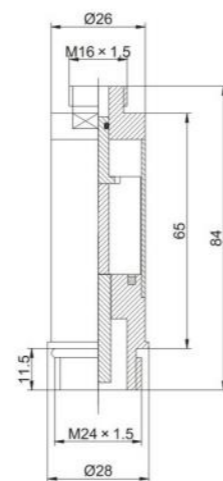
一般选用XY16372等电磁线圈配套,用于燃气汽车电磁阀。

Normally using XY16372 coil etc,Ideal for gas vehicle solenoid valve.

◎ 产品编号/Product No.SB619



◎ 外观图/Overall Dimension



一般选用DSD-G03电磁线圈配套，常应用液压系统电磁阀。

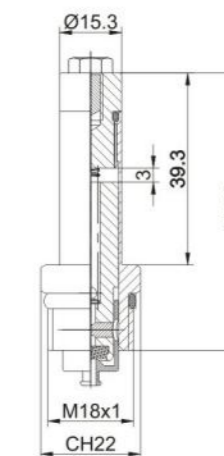
Normally using DSD-G03 coil,Ideal for hydraulic system.

SB619 50YC

◎ 产品编号/Product No.SB622
产品型号/Product Type XY16372



◎ 外观图/Overall Dimension

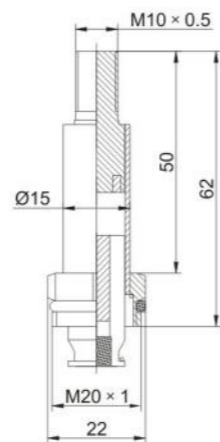


一般选用XY16372等电磁线圈配套,用于燃气汽车电磁阀。

Normally using XY16372 coil etc,Ideal for gas vehicle solenoid valve.

◎ 产品编号/Product No.SB623
产品型号/Product Type 23500010

◎ 外观图/Overall Dimension

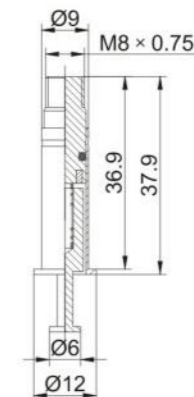


一般选用GL15393等电磁线圈配套。

Normally using GL15393 coil etc.

◎ 产品编号/Product No.SB626 2/2

◎ 外观图/Overall Dimension

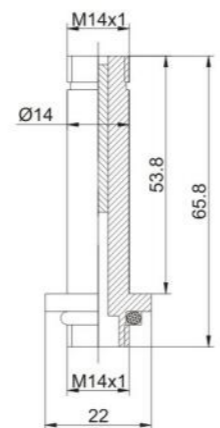


一般选用210A 8.5VA 电磁线圈配套。

Normally using 210A 8.5VA coil.

◎ 产品编号/Product No.SB624
产品型号/Product Type MFZ7Y

◎ 外观图/Overall Dimension



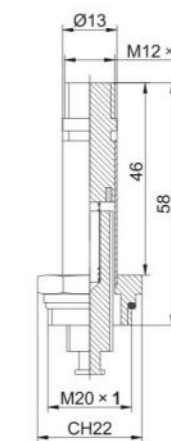
Ideal for hydraulic system.

应用于液压电磁阀。

Ideal for hydraulic system.

◎ 产品编号/Product No.SB627 2/2

◎ 外观图/Overall Dimension

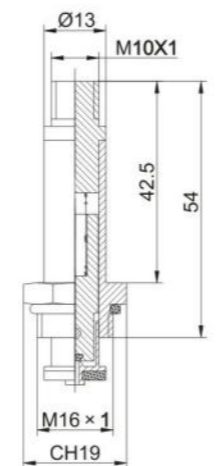


一般选用0200 电磁线圈配套。

Normally using 0200 coil.

◎ 产品编号/Product No.SB625
产品型号/Product Type SL13372

◎ 外观图/Overall Dimension

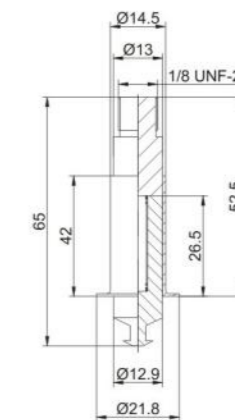


一般选用SL13372电磁线圈配套，用于燃气汽车电磁阀。

Normally using SL13372 coil,Ideal for gas vehicle solenoid valve.

◎ 产品编号/Product No.SB628

◎ 外观图/Overall Dimension

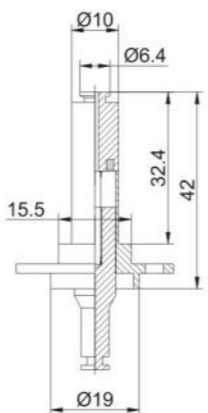


一般选用XM148、XY148电磁线圈配套，应用于水阀。

Normally using XM148,XY148 coil etc,Ideal for Drain Valves.

产品编号/Product No.SB629
产品型号/Product Type TD1055T

外观图/Overall Dimension

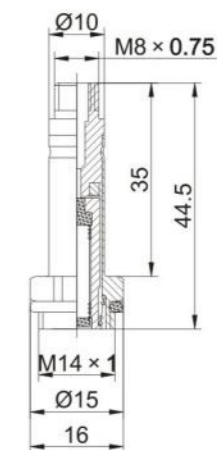


一般选用XY1030电磁线圈配套,应用于水阀。

Normally using XY1030 coil etc.Ideal for Drain Valves.

产品编号/Product No.SB632 2/2

外观图/Overall Dimension

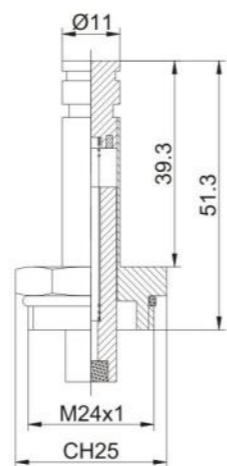


一般选用XY1030电磁线圈配套。

Normally using XY1030 coil .

产品编号/Product No.SB630 2/2

外观图/Overall Dimension

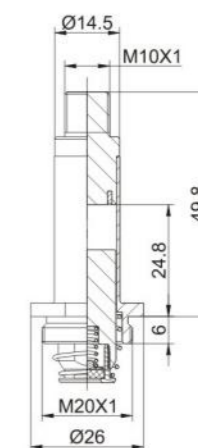


一般选用A044电磁线圈配套, 常应用于脉冲阀。

Normally using A044 coil etc for matching pulse valves etc.

产品编号/Product No.SB634 2/2
产品型号/Product Type FX04H

外观图/Overall Dimension

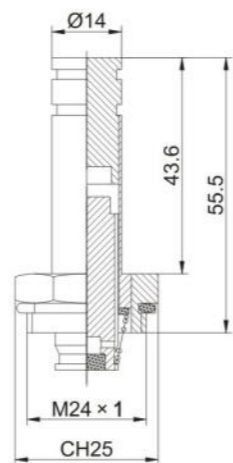


一般选用0543电磁线圈配套。适用于1~30MPa高压电磁阀。

Normally using 0543 coil.

产品编号/Product No.SB631 2/2

外观图/Overall Dimension

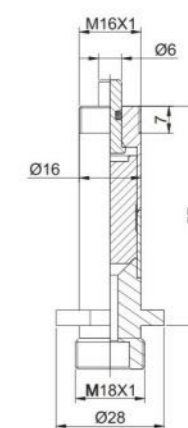


一般选用A051电磁线圈配套, 常应用于脉冲阀。

Normally using A051 coil etc for matching pulse valves etc.

产品编号/Product No.SB635
产品型号/Product Type 7900

外观图/Overall Dimension



一般选用Y-1电磁线圈配套,应用于液压系统。

Normally using Y-1 coil etc.Ideal for hydraulic system.

SB635 7900

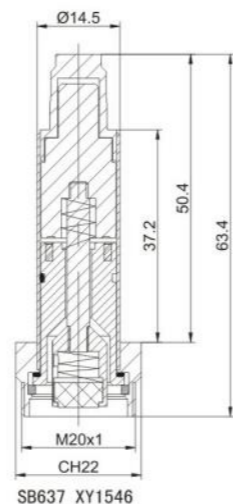
◎ 产品编号/Product No.SB637
产品编号/Product No.XY1546



一般选用A051电磁线圈配套，常应用于脉冲阀。

Normally using A051 coil etc for matching pulse valves etc.

◎ 外观图/Overall Dimension



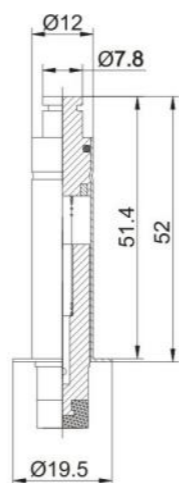
◎ 产品编号/Product No.SB638



一般选用CY123电磁线圈配套,常应用于膜片脉、脉冲阀。

Normally using CY123 coil etc for matching diaphragm control valve and pulse valves.

◎ 外观图/Overall Dimension



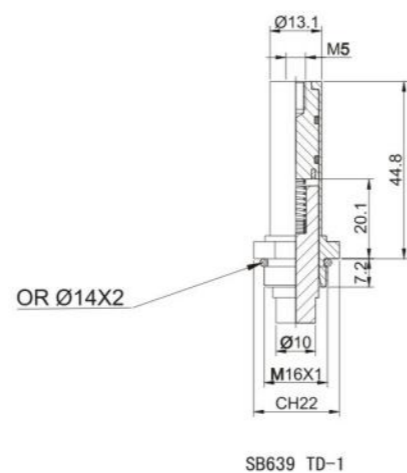
◎ 产品编号/Product No.SB639



选用0200 17W电磁线圈配套，应用于煤气阀。

Normally using 0200 17W coil, Ideal for gas valve.

◎ 外观图/Overall Dimension



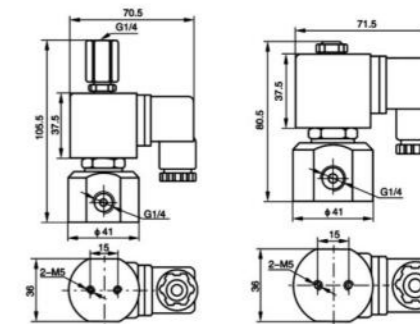
◎ RMF23/22-SS系列不锈钢多用途阀
RMF23/22-SS series stainless steel multi-purpose valve



◎ 特性/Speciality

- ◆ 不锈钢材质的阀体，耐腐蚀性强。适用范围广。Stainless steel valve has good corrosion resistance and wide application.
- ◆ 改变密封材料，适用于多种流体的控制。Suits control of different fluids by changing the sealing material.
- ◆ 改变流量孔径适用于多种压力范围。Suits multiple ranges of pressure by changing the orifice.
- ◆ 二位三通改变接入形式，任意变成常开、常闭型。2/3, NC valve can be used as NO valve by exchanging inlet, outlet & exhaust.
- ◆ 多种温度等级可选择定制。Many temperature grades are optional for made to order.

◎ 外观图/Overall Dimension



◎ 标准参数/Parameters

产品型号/Model	RMF23-SS	RMF22-SS
流体介质/Medium	压缩气体、水、油品、溶剂、较弱的酸碱液体 (选择) Compressed air, water, oil, solvent acid or alkaline liquid (optional)	
动作方式/Pattern	直动式/Direct acting	
型式/Type	常闭型、常开型 (二位三通) /Normal Close, Normal Open	
流量孔径/Orifice (mm)	Φ1-5mm	
接管口径/Connection Port	G1/8", G1/4", G3/8"	
使用压力/Working Pressure	0~0.8MPa 0~1.6MPa 0~4MPa	
介质温度/Working Temperature	0~80℃, -40~180℃	
电压范围/Voltage	DV12~220V, AC12~380V 50/60Hz ± 10%	
本体材质/Material of body	不锈钢 Stainless Steel	
密封材质/Seal	NBR, EPDM, VITON	

◎ 墨水阀
Ink Valve

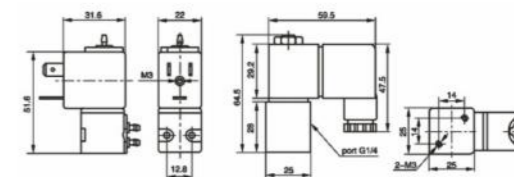
SB157 SB156



◎ 特性/Speciality

- ◆ 全部采用耐溶剂材料制造。Fully made of solvent resistant materials.
- ◆ 有二位二通和二位三通可选择。Two position two-way and two position three-way optional.
- ◆ 宝塔形快速直插式金属接头和螺纹连接。Fast insert hose connection or female thread ports.
- ◆ 体积小，重量轻，功耗低。Small dimension, light weight and low power consumption.

◎ 外观图/Overall Dimension



◎ 标准参数/Parameters

产品型号/Model	SB157	SB156
流体介质/Medium	墨水、溶剂等/Ink, solvents ect	
动作方式/Pattern	直动式/Direct acting	
型式/Type	常闭型/NO.NC. (二位三通改变接入形式可转成常开型)	
流量孔径/Orifice (mm)	2mm	1.5mm
接管口径/Connection Port	内径Φ2.5的塑料管/Φ2.5 plastic close	1/4" 内螺口(Female)
使用压力/Working Pressure	0~0.6MPa	0~0.4MPa
介质温度/Working Temperature	-10~80℃	
电压范围/Voltage	DC12V、DC24V; AC36V AC110V AC220V 50/60Hz ± 10%	
本体材质/Material of body	POM	
密封材质/Seal	EPDM	

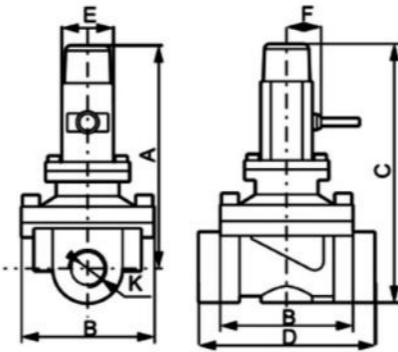
RG系列保安煤气阀
RG Series Safe Gas Valve



特性/Speciality

- ◆用于煤气管道安全保护控制部分。
Used in control part in the gas pipeline.
- ◆常开型设计，工作流通时不耗电。
Normal open design, no power consumption during gas flow through.
- ◆关闭采用脉冲供电设计，耗电极少且很安全。
Instantaneous energized to close, tiny power consumption.
- ◆再开启时必须去掉隐患后手动开启，更加保险。
Reset by manual rod, safe enough.
- ◆大口径低启动压力，膜片式装置。
Diaphragm type, big orifice, low working pressure.

外观图/Overall Dimension



外形尺寸表/Overall Dimension Sheet

产品型号 Model	A	B	C	D	E	F	K
RG-15	113	57	125	69	32	28	G1/2
RG-20	118	57	130	73	32	28	G3/4
RG-25	130	73.5	145	99	32	28	G1
RG-35	146	95	170	123	32	28	G1 1/4
RG-40	146	95	170	123	32	28	G1 1/2
RG-50	168	123	203	168	32	28	G2

标准参数/Parameters

产品型号/Model	RG-15	RG-20	RG-25	RG-35	RG-40	RG-50
流体介质/Medium	煤气、液化气、压缩空气/Coal gas, LPG, Compress air					
动作方式/Motion Pattern	先导膜片式/Pilot, Diaphragm Type					
型式/Type	常开式，二位三通/Normal open, two-position two-way					
流量孔径/Orifice (mm)	16mm	20mm	25mm	35mm	40mm	50mm
接管口径/Connection Port	1/2"	3/4"	1"	1 1/4"	1 1/2"	2"
使用压力/Working Pressure	0.01~0.4MPa					
使用温度/Ambient temperature	-20~80℃					
电压范围/Voltage	DC6V, DC12V, DC24V, ±15%, 0.5-2A, ±10%					
开关形式/Switch Type	关闭：通电/Close; energized<0.5S, 开启：手动/Reset; manual					
本体材质/Material of Body	黄铜、铝/Brass, Aluminum					
密封材质/Seal	NBR, VITON					

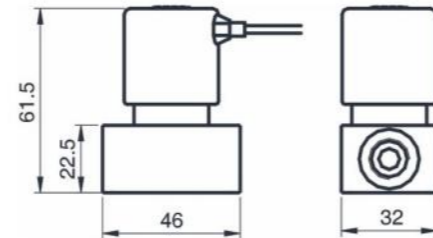
SB172双稳态电磁阀
Latch Solenoid Valve



特性/Speciality

- ◆线圈双稳态自保持，省电节能
Use latch coil, keep open or close without power, save electricity
- ◆结构紧凑，使用方便
Compact design, easy for assembly
- ◆本体可用型材铝或铜
Body can be made from aluminum or brass

外观图/Overall Dimension



标准参数/Parameters

流体介质/Fluid Medium	压缩气体、水/Compressed air, water
动作方式/Motion Pattern	双稳态
型式/Type	常闭 Normal Close
流量孔径/Orifice(mm)	2.0mm/2.5mm/6mm
接管口径/Connection Port	G1/4" G1/2"
使用压力/Working Pressure(MPa)	12bar/4bar/0.5bar
工作温度/Working Temperature(°C)	-10°C ~ +80°C
电压范围/Voltage Range	DC6V/DC9V/DC12V/DC24V
防护等级/Protection Class	IP65
绝缘等级/Insulation	F
本体材质/Material of Body	铜、铝/Cu, Al
油封材质/Seal	NBR, FKM

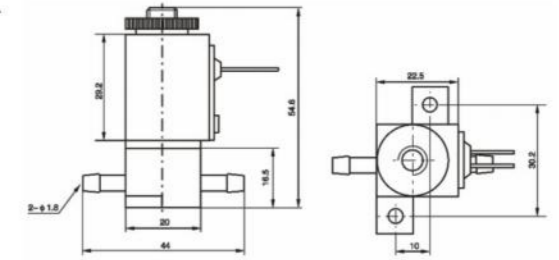
F17汽油电磁阀
F17 Petrol Solenoid Valve



特性/Speciality

- ◆采用耐油，耐溶剂材料。
Made of oil and solvent resistant material.
- ◆体积小，安装方便。
Small dimension, easy for installation.
- ◆接口采用软管直插式，连接快速。
Direct and quick connection by hose.
- ◆阀体工程塑料材料，重量轻，耐久性强。
Valve made of engineering plastic, light and durable.

外观图/Overall Dimension



标准参数/Parameters

产品型号/Model	F17
流体介质/Medium	汽油、部分溶剂/Petrol and solvents
动作方式/Motion Pattern	直动式/Direct acting
型式/Type	常闭型、二位三通/Normal close, two-position two-way
流量孔径/Orifice (mm)	Φ1.8mm Φ3mm
接管口径/Connection Port	内径Φ4胶管/Φ4 hose
使用压力/Working Pressure	0~0.35MPa
介质温度/Fluid Temperature	-40~80℃
电压范围/Voltage	DC12V, DC24V
本体材质/Material of Body	POM
密封材质/Seal	VITON

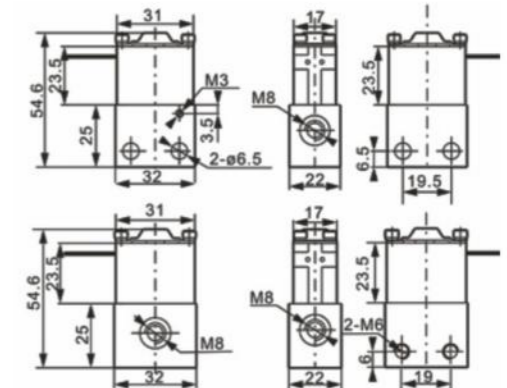
ESD汽油电磁阀
ESDPetrol Solenoid Valve



特性/Speciality

- ◆用于柴油机车的气动断油熄火装置中的电磁阀。
Used in the oil cut-off choke device in diesel locomotive.
- ◆防尘、防震设计，使用耐久性能好。
Dust and vibration proof design, durable and good performance.
- ◆耐温、耐候材料，适用于宽范围环境使用。
Temperature and weather resistant material, use in various environment

外观图/Overall Dimension



标准参数/Parameters

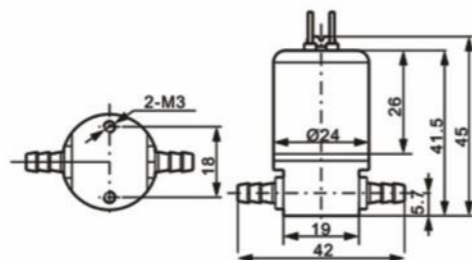
产品型号/Model	ESD-22	ESD-21
流体介质/Medium	压缩空气/Compress Air	
动作方式/Motion Pattern	直动式/Direct acting	
型式/Type	常闭型、二位三通/Normal close, two-position three-way	
流量孔径/Orifice (mm)	0.6mm	
接管口径/Connection Port	M8 x 1, M8 x 1.25	
使用压力/Working Pressure	0~0.8MPa	
介质温度/Fluid Temperature	-40~120℃	
电压范围/Voltage	DC12V, DC24V	
本体材质/Material of Body	铝/Aluminum alloy	
密封材质/Seal	NBR, VITON	

SB114医用电磁阀
SB114 Medical Solenoid Valve



- 特性/Speciality
- ◆ 常用于医疗器械上控制水和气体开关。
Often used as water and gas control switch on
 - ◆ 体积小、重量轻、便于安装。
Small dimension, light weight and easy for installation.
 - ◆ 耗电少，噪音小。
Low power consumption, and few noise.
 - ◆ 全金属结构，表面抗腐处理。
Full metal structure, anti-corrosion surface treatment.

● 外观图/Overall Dimension

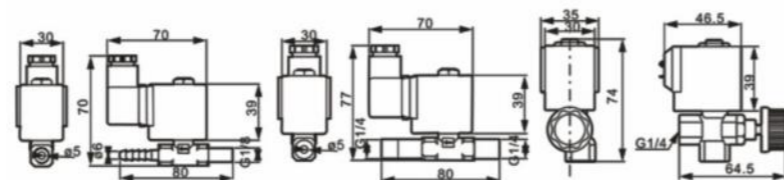


● 标准参数/Parameters

产品型号/Model	SB114
流体介质/Medium	水、气体/Water, Gas
动作方式/Motion Pattern	直动式/Direct acting
型式/Type	常闭型、二位三通/Normal close, two-position two-way
流量孔径/Orifice (mm)	1mm
接管口径/Connection Port	M4、M5内螺纹、内径Φ3胶管/M4、M5 (Female), or Φ3 hose
使用压力/Working Pressure	0~0.8MPa
介质温度/Fluid Temperature	0~90°C
电压范围/Voltage	AC110V 220V 50Hz DC6~24V ±10%
本体材质/Material of Body	黄铜/Brass
密封材质/Seal	NBR, Si

DL可调式蒸汽电磁阀
DL Orifice Adjustable Steam Solenoid Valve

● 外观图/Overall Dimension



● 特性/Speciality

- ◆ 独立安装在蒸汽设备上。
- ◆ 分可调和不可调两种。
- ◆ 全部采用耐热材料，高温达H级。
- ◆ 可控制蒸汽的流量，方便操作。
- ◆ 电气部分防水，防潮性能好。
- ◆ Directly installed in steam iron as the switch of steam flow.
- ◆ Fully made of heat resistant H class material.
- ◆ Direct acting structure, good sealing, water-proof, durable.
- ◆ Steam flow rate adjustable.

● 标准参数/Parameters

产品型号/Model	DL-6A DL-6B DL-6K
流体介质/Medium	水、蒸汽/Water, steam
动作方式/Motion Pattern	直动式/Direct acting
型式/Type	常闭式，二位三通/Normal close, two-position two-way
流量孔径/Orifice (mm)	2.5mm 0~2.5mm
接管口径/Connection Port	G1/4", G1/8"
使用压力/Working Pressure	0~0.8MPa
使用温度/Ambient temperature	0.1~180°C
电压范围/Voltage	AC24V, AC110V, AC220~240V, 50/60Hz ±10%
本体材质/Material of Body	黄铜/Stainless steel + Brass
密封材质/Seal	氟橡胶、聚四氟乙烯/PTFE, VITON

汽车断电阀
Truck & Bus Solenoid Valve

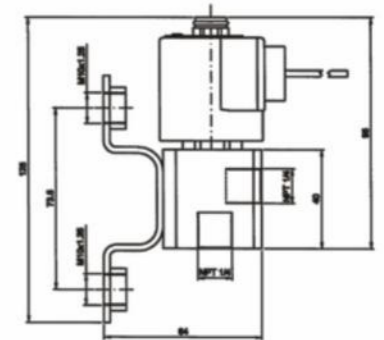
WP-1



● 特性/Speciality

- ◆ 用于汽车的气动系统的电磁阀。
Used in the oil cut-off choke device in diesel locomotive.
- ◆ 防尘、防震设计，使用耐久性能好。
Dust and vibration proof design, durable and good performance.
- ◆ 耐温、耐候材料，适用于宽范围环境使用
Temperature and weather resistant material, use in various environment.

● 外观图/Overall Dimension



● 标准参数/Parameters

产品型号/Model	WP-1
流体介质/Medium	压缩空气/Compress Air
动作方式/Motion Pattern	直动式/Direct acting
型式/Type	常闭型、二位三通/Normal close, two-position three-way
流量孔径/Orifice (mm)	1.5~2mm
接管口径/Connection Port	M10 x 1 1/4" NPT
使用压力/Working Pressure	3~9MPa
介质温度/Fluid Temperature	-10~+55°C
电压范围/Voltage	DC12V, DC24V
本体材质/Material of Body	铝/Aluminum alloy
密封材质/Seal	NBR, VITON

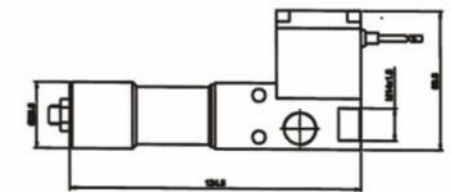
汽车断电阀
Truck & Bus Solenoid Valve



● 特性/Speciality

- ◆ 用于柴油机的气动断油熄火装置中的电磁阀。
Used in the oil cut-off choke device in diesel locomotive.
- ◆ 防尘、防震设计，使用耐久性能好。
Dust and vibration proof design, durable and good performance.
- ◆ 耐温、耐候材料，适用于宽范围环境使用
Temperature and weather resistant material, use in various environment.

● 外观图/Overall Dimension



● 标准参数/Parameters

产品型号/Model	SB440
流体介质/Medium	压缩空气/Compress Air
动作方式/Motion Pattern	直动式/Direct acting
型式/Type	常闭型、二位三通/Normal close, two-position three-way
流量孔径/Orifice (mm)	0.6mm
接管口径/Connection Port	M8 x 1, M8 x 1.25
使用压力/Working Pressure	0~0.8MPa
介质温度/Fluid Temperature	-40~120°C
电压范围/Voltage	DC12V, DC24V
本体材质/Material of Body	铝/Aluminum alloy
密封材质/Seal	NBR, VITON

CS系列电子定时排水阀
CS Series Timer Control Drain Valve

CS-720



CS-3800



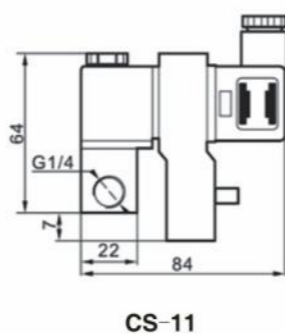
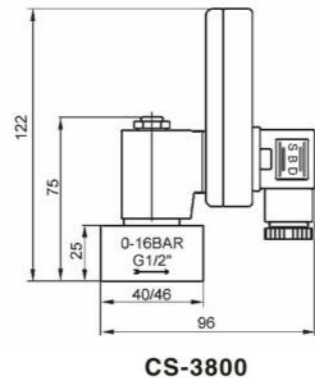
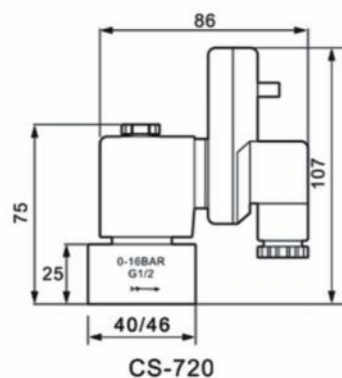
CS-11



特性/Speciality

- ◆符合欧共体CE标准。
Conforming to CE standard.
- ◆全自动，无需维护。
Full automatic without the need of maintenance.
- ◆适用于多种场合的冷凝水自动排放及自动灌溉系统。
Suitable for automatic discharge of condense water in many occasions and automatic irrigation system.
- ◆多种电压接口可选择。
Different voltage are available for selection.
- ◆间隔时间和工作时间可调并设有手动测试开关。
Interval time and working time adjustable, with manual testing switch.
- ◆使用无触点开关定时器，寿命长且可靠性高。
Use electronic switch, high reliability and durable.
- ◆ABS阻燃外壳安全性高，正确安装后电气防护等级达IP65。
ABS flame-proof house, can reach IP65 class after installed.
- ◆NBR和FPM密封件适用宽范围的温度。
NBR and FPM for wide range application.
- ◆直动式大口径阀口，有效防止污物堵塞。
Direct-acting, big orifice, to avoid blockade.
- ◆加装式的过滤球阀，可任意变化接口和增加手动开关，便于安装和维修。
Filter ball valve can be installed before drainer to avoid block.

外观图/Overall Dimension



产品型号/Model	CS-720	CS-3000	CS-11
阀类型/Valve Style	二位二通直动式电磁阀/Two-position two-way direct acting solenoid valve		
进出接口/Connection Port	1/4", 3/8", 1/2" 内螺纹(Female)		1/8" 1/4"
工作压力/Working Pressure	16bar, 25bar, 40bar, 80bar		16bar
开启时间/On Time	0.5~10sec.	1Sec~99h59min59Sec	2 Sec.
关闭时间/Off Time	0.5~45min.	1Sec~99h59min59Sec	0.5~120min.
环境温度/Ambient Temperature	-20~60°C		
最高介质温度/Highest Medium Temperature	90°C		
阀体/Valve Body	黄铜、不锈钢/Brass, Stainless steel		
通径/Orifice	1.9~4.5mm		2mm
绝缘、防护等级/Insulation, Protect Class	F级, IP65(安装之后)/F class, IP65(with plug)		
电压/Voltage	24~240V DC/AC 50/60Hz +10%		
安装/Mounting	任何位置/Any place		

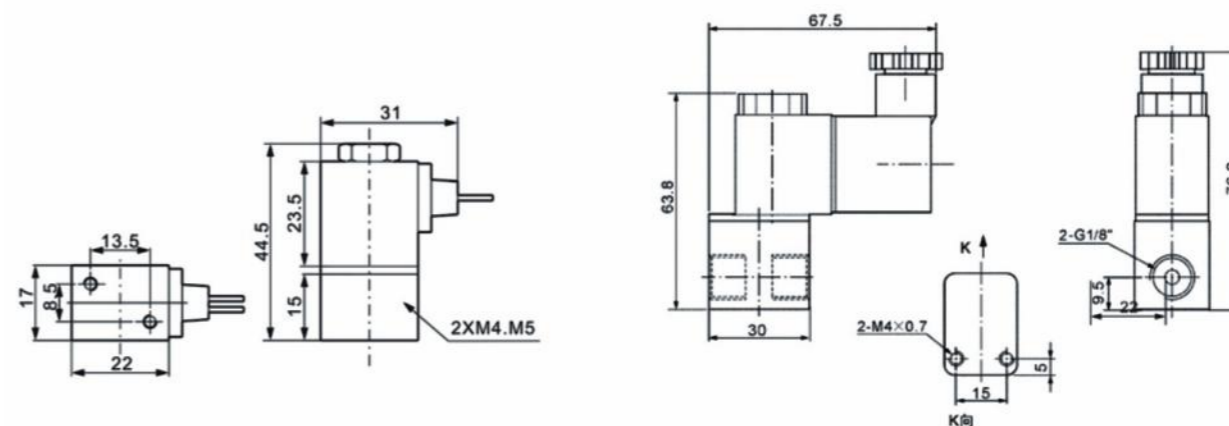
SB115系列电磁阀
SB115 Series Solenoid Valve



特性/Speciality

- ◆气或液体的开关控制。
Control flow of gas or liquid.
- ◆二位二通直动。
Two-position two-way, direct acting type.
- ◆体积小，动作灵敏，噪音小。
Small dimension, fast action and low noise.
- ◆小型阀体部分有铝、铜、不锈钢等多种金属可选择。
Valve body can be mad from Aluminum, brass, stainless steel.
- ◆功耗低，可安装工作指示灯和保护装置。
Low power consumption

外观图/Overall Dimension



产品型号/Model	SB115-010-M4	SB115-025-06	SB115-025-08
工作介质/Working Medium	空气、水、油/Air, Water, Oil		
动作方式/Motion Pattern	直动式/Direct acting		
型式/Type	常闭型/Normal Close		
流量孔径/Orifice(mm)	1.0	2.5	
CV值/CV Value	0.10	0.23	
接管口径/Connection Port	M4/M5	1/8"	1/4"
使用流体粘滞带/Fluid Viscosity	< 20 CST		
使用压力/Working Pressure(MPa)	空气、水、油: 0~0.7/ Air, Water, Oil: 0~0.7		
最大耐压力/Max. Pressure Resistance(MPa)	1.2	1.6	
工作温度/Working Temperature(°C)	-10~80°C		
使用电压范围/Voltage Range	±10%		
防护等级/Protection Class	IP65		
耗电量/Power Consumption	AC: 5.5VA DC: 6W		
绝缘等级/Insulation Class	F级/Class F		
本体材质/Material of Body	铝、铜、不锈钢/Aluminum, Brass or S.S		
油封材质/Seal	NBR or VITON		
最短励磁时间/Response Time	0.05s		

◎ 防爆电磁阀
Ex-proof Solenoid Valve



◎ 特性/Speciality

- ◆ 经国家级仪器仪表防爆安全监督检验站检测合格。
- ◆ 防爆等级达Ex mb I mb Ex mb II T4 Gb DIP A20 TA T4
- ◆ 有多种口径的各用途电磁阀可选择。
- ◆ 有多种电压范围和引出电缆长度可定制。
- ◆ 适用于矿井、油库、化工、电厂等要求防爆的场合。
- ◆ Certified by national instrument and meter Explosion protection and safety supervisory testing station.
- ◆ Explosion-proof grade: Ex mb I mb Ex mb II T4 Gb DIP A20 TA T4
- ◆ Solenoid valves with various ports & application are available for selection.
- ◆ Voltage and lead cable length can be made to order.
- ◆ Can be used in mine, oil tank, chemical & power station etc.

产品型号/Model	防爆电磁阀
流体介质/Medium	可燃性气体、粉尘环境需要防爆的场合/Gas, Dust
动作方式/Motion Pattern	直动式, 先导式/Direct acting, pilot type
型式/Type	常闭型和常开型, 二位三通三通, 及二位五通和三位五通/NC, NO. 2/2, 3/2, 5/2, 5/3
流量孔径/Orifice(mm)	1~50mm
接管口径/Connection Port	G1/8"~G2"
使用压力/Working Pressure	0.4MPa, 0.8MPa, 1.6MPa, 2.5MPa, 4.0MPa, 8.0MPa
使用温度/Working Temperature	-20~+50℃
电压范围/Voltage Range	DC24V, AC36V AC127V AC220V 50/60Hz ± 10%
防护等级/Protection Class	IP65
防爆形式/Ex-proof Type	Exmb(浇封型/in mine)
使用环境/Use environment	煤矿瓦斯气体环境及厂用T1~T4组爆炸性气体环境及粉尘环境 Coal mine gas environment and T1~T4 group explosive gas environment and dust environment
防爆温度等级/Ex-proof Temperature Grade	T4(≤135℃)
本体材质/Material of Body	铝、铜、不锈钢/Aluminum, Copper, Stainless steel
油封材质/Seal	NBR, VITON

★ 订货需告知: 电磁阀形式、用途、压力、口径、电压及引出电缆长度。

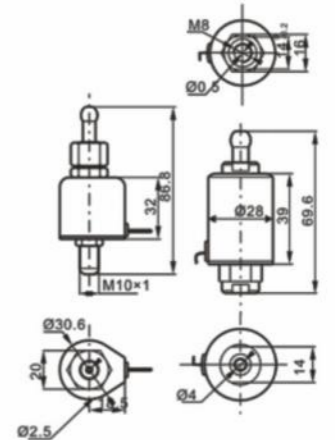
◎ HX系列工业蒸汽熨斗电磁阀
HX Series Solenoid Valve For Steam Iron



◎ 特性/Speciality

- ◆ 直接安装在电熨斗上, 作为蒸汽发生开关。
Directly installed in steam iron as the switch of steam flow.
- ◆ 全部采用耐热材料制造, 高温达H级。
Fully made of heat resistant H class material.
- ◆ 直动式结构, 密封性能优良, 寿命长。
Direct acting structure, good sealing, water-proof, durable.
- ◆ 电气部分防水性能良好。

◎ 外观图/Overall Dimension



产品型号/Model	HX-2	HX-3
流体介质/Fluid Medium	水, 蒸汽/Water, Steam	
动作方式/Motion Pattern	直动式/Direct acting	
型式/Type	常闭式/Normal Close, 二位三通	
流量孔径/Orifice (mm)	0.8mm, 1.0mm, 1.3mm	
接管口径/Connection Port	M10x1外, M8x0.75 (内) + Φ6软管	
使用压力/Working Pressure	0~0.3MPa	
使用温度/Ambient Temperature	0.1~180℃	
电压范围/Voltage Range	AC110V, AC220~240V, 50/60Hz, ± 10%	
本体材质/Material of body	不锈钢+黄铜/Stainless Steel+Brass	
密封材质/Seal	硅橡胶/Si	

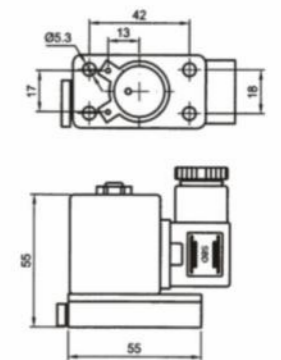
◎ 23JVD. 0201系列微型电磁阀
23JVD. 0201 Series Mini Type Solenoid Valve



◎ 特性/Speciality

该电磁阀是气压系统的基础元件, 常用于HERION系统电磁换向阀的先导阀, 也可用于其他大流量换向阀的先导控制阀。This solenoid valve is the basic component of the pneumatic press system, commonly is used in pilot valve of HERION electromagnetic selector valve and can be used in pilot control valve of other big flow selector valves too.

◎ 外观图/Overall Dimension



产品型号/Model	23JVD.0201
工作压力/Working Pressure(MPa)	0~0.8
环境温度/Ambient Temperature(℃)	-5~40
介质温度/Fluid Temperature(℃)	-5~50
有效截面积/Effective Sectional Area(mm)	1.6
温升/Rising Temperature(℃)	≤115
换向时间/Change Way Time(S)	≤0.03
电压波动/Voltage Wave(%)	-5~10
电压/Voltage	AC380V, 220V, 110V, 36V, 24V DC220V, 110V, 48V, 36V, 24V, 12V

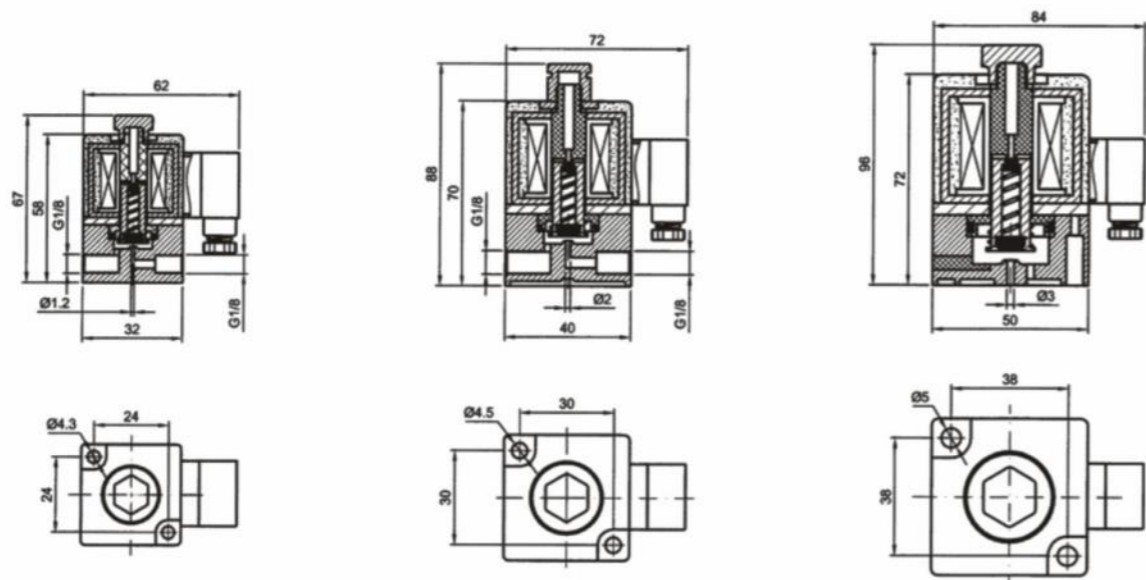
◎ K23D系列微型电磁阀
K23D Series Mini Type Solenoid Valve



◎ 特性/Speciality

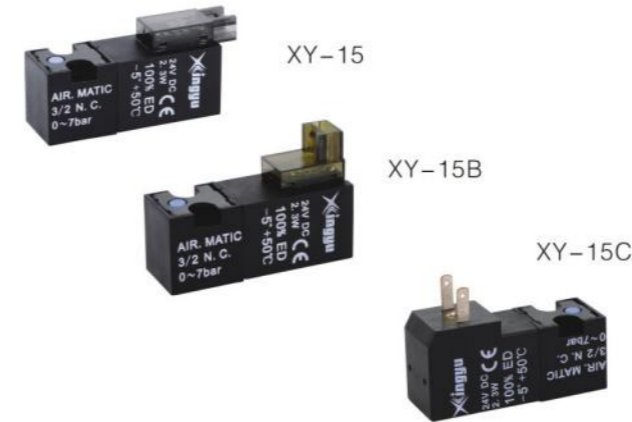
K23D系列二位三通微型电磁阀常用作大流量换向阀的先导控制阀，也可以单独控制耗气量小的执行元件。
K22D系列主要用于控制气流通、断，常做开关阀使用。
K23D series two-position three-way mini type solenoid valve is usually used in the pilot control valve of big flow selector valves and also can control the executive component of air-consume smally by itself.
K23D series mainly is used in controlling the current on and off, uaually use as a switch valve.

◎ 外观图/Overall Dimension



产品型号/Model	1.2 K23D-1.2T 1.2L	2 K23D-2T 2L	3 K23D-3T 3L
工作压力/Working Pressure(MPa)	0~0.8		
环境温度/Ambient Temperature(°C)	-5~40		
介质温度/Fluid Temperature(°C)	-5~50		
有效截面积/Effective Sectional Area(mm ²)	1.2	2	3
温升/Rising Temperature(°C)	≤80		
换向时间/Change Way Time(S)	≤0.03		
电压波动/Voltage Wave(%)	-5~10		
电压/Voltage	AC380V, 220V, 110V, 36V, 24V		DC220V, 110V, 48V, 36V, 24V, 12V

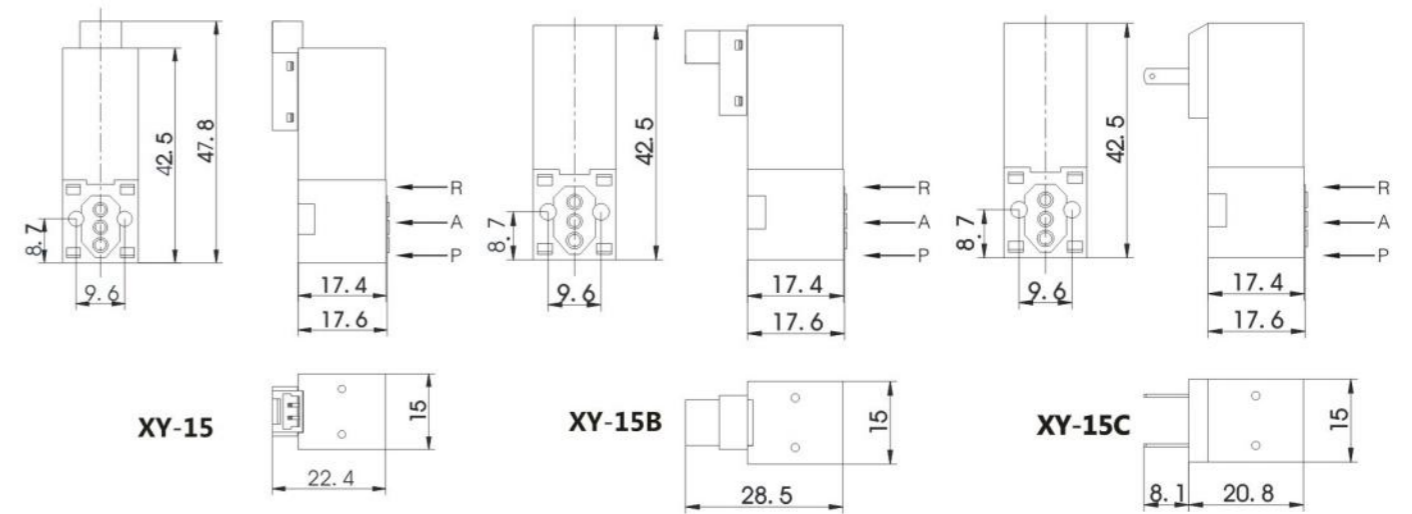
◎ XY-15超小型电磁阀
Micro Solenoid Valve



◎ 特性/Speciality

- ◆可单个，多个任意组合，一路进气，多路输出。
Use as single valve or valve group.
- ◆多用于大口径气阀的先导阀和控制微型单作用气缸。
Often use as pilot valve for large orifice air valve or control of min single acting cylinder.
- ◆更低的功耗，十分适合于PC机直接输出控制。
Lower power consumption, direct controlled by PC.
- ◆小型轻量化，安装简便，占空间小。
Small size and light weight, easy installation, small occupied space.
- ◆无给油设计，耐久性能强。
No need of lubrication, durable.
- ◆线圈部分内设指示灯及保护装置。
Coil with LED & over-voltage protection device.

◎ 外观图/Overall Dimension



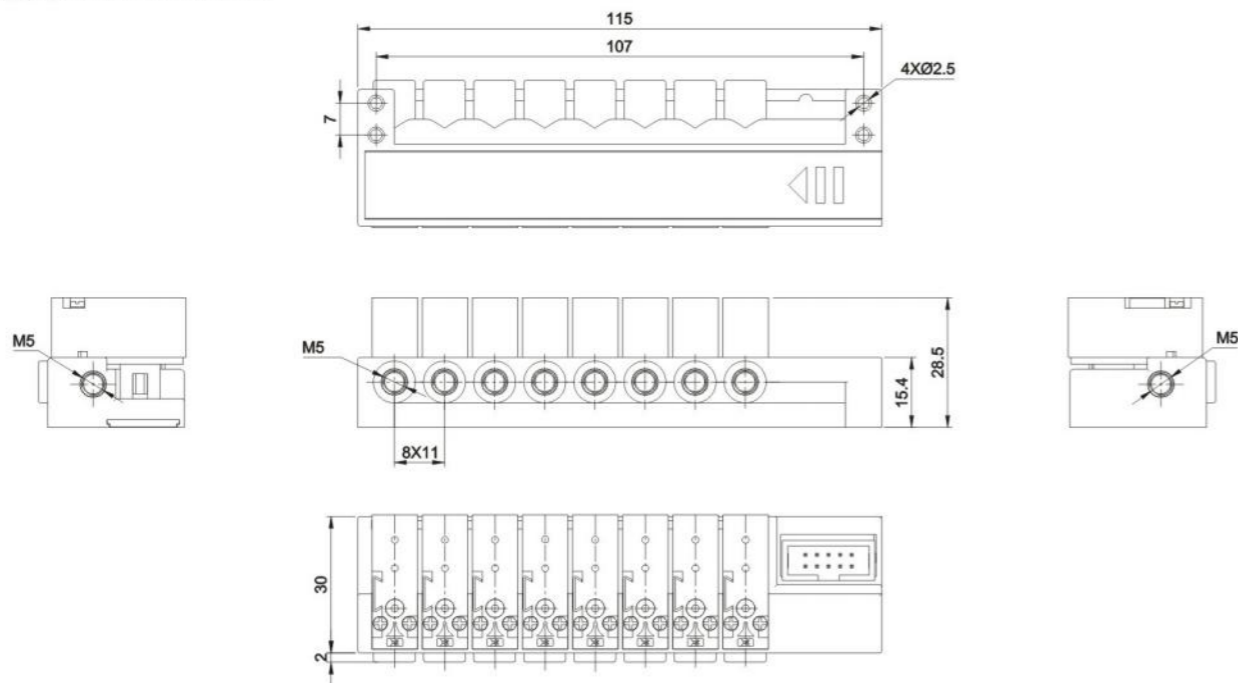
流体介质/Fluid Medium	压缩气体/Compressed air
动作方式/Motion Pattern	直动式/Direct Drive Type
型式/Type	常闭或常开/二位三通 2/3 NC or 2/3NO
流量孔径/Orifice(mm)	1.4mm
接管口径/Connection Port	M3-M5汇流板连接/M3-M5(to manifold)
使用压力/Working Pressure(MPa)	0~0.7MPa
工作温度/Working Temperature(°C)	-5°C ~ +55°C
电压范围/Voltage Range	DC12V/DC24V
绝缘等级/Insulation	F、H
消耗功率/Power Consumption	2.3W
本体材质/Material of Body	PA66
密封材质/Seal	NBR

◎ 产品编号/Product No.SB336
产品型号/Product Type XY-10-8T微型电磁阀阀岛



◎ 特性/Speciality
◆一路进气控制多路出气。
The way to control multiple air intake.
◆结构紧凑，安装使用方便。
It has the advantages of compact structure, convenient installation and use.
◆组合数量2~8组，任由用户选定。
The number of combinations of 2 ~ 8 group, let the user selected.
◆小型轻量化，安装简便，占空间小。
Small size and light weight,easy installation,small occupied space.

◎ 外观图/Overall Dimension



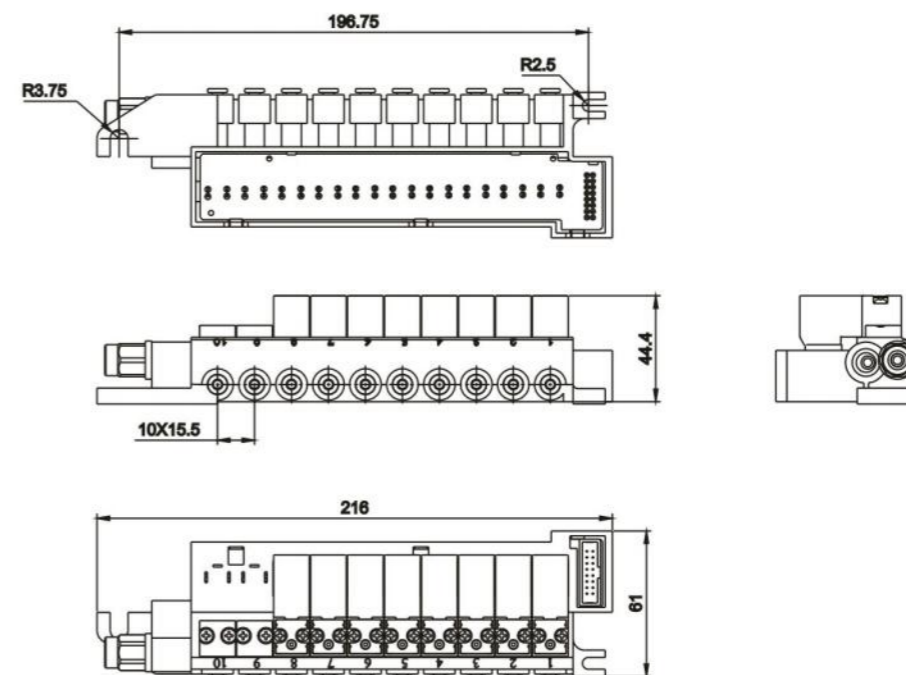
流体介质/Fluid Medium	压缩气体/Compressed air
动作方式/Motion Pattern	直动式/Direct Drive Type
型式/Type	二位三通 2/3 NC
流量孔径/Orifice(mm)	0.7mm
接管口径/Connection Port	M5
工作压力/Working Pressure(MPa)	0.05~0.7MPa
工作温度/Working Temperature(°C)	-10~+80°C
电压范围/Voltage Range	DC12V,D24V ± 10%
单阀消耗功率/Power Consumption	1W
本体材质/Material of Body	PA66
密封材质/Seal	NBR

◎ 产品编号/Product No.SB840
产品型号/Product Type XY-15C-8T微型电磁阀阀岛



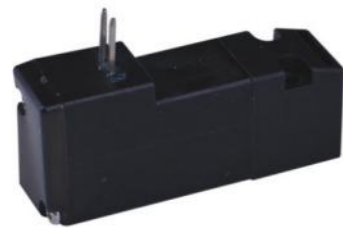
◎ 特性/Speciality
◆一路进气控制多路出气。
The way to control multiple air intake.
◆结构紧凑，安装使用方便。
It has the advantages of compact structure, convenient installation and use.
◆组合数量2~8组，任由用户选定。
The number of combinations of 2 ~ 8 group, let the user selected.
◆小型轻量化，安装简便，占空间小。
Small size and light weight,easy installation,small occupied space.

◎ 外观图/Overall Dimension



流体介质/Fluid Medium	压缩气体/Compressed air
动作方式/Motion Pattern	直动式/Direct Drive Type
型式/Type	二位三通常开或常闭 2/3 NO OR 2/3 NC
流量孔径/Orifice(mm)	1.4mm
接管口径/Connection Port	φ 5
工作压力/Working Pressure(MPa)	0~0.7MPa
工作温度/Working Temperature(°C)	-10~+80°C
电压范围/Voltage Range	DC12V,D24V ± 10%
单阀消耗功率/Power Consumption	2.3W
本体材质/Material of Body	PA66
密封材质/Seal	NBR

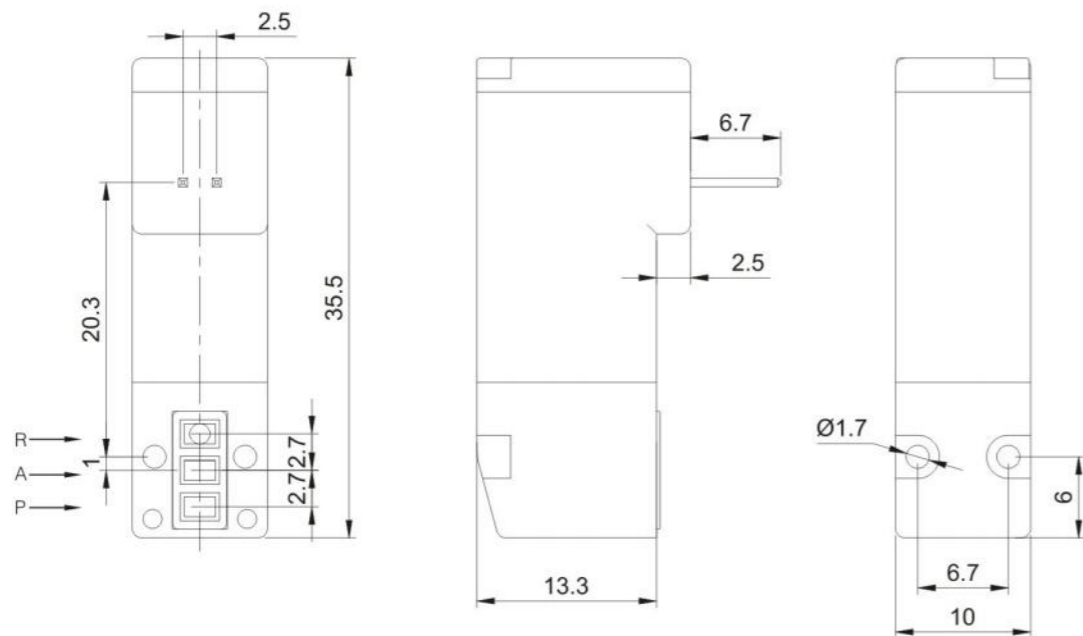
◎产品编号/Product No.SB337
产品型号/Product Type XY-10S微型电磁阀



◎特性/Speciality

- ◆可单个、多个任意组合，一路进气，多路输出。
- ◆Use as single valve or valve group.
- ◆多用于大口径气阀的先导阀和控制微型单作用气缸。
- ◆Often use as pilot valve for large orifice air valve or control of min single acting cylinder.
- ◆更低的功耗，十分适合于PC机直接输出控制。
- ◆lower power consumption, direct controlled by PC.
- ◆小型轻量化，安装简便，占空间小。
- ◆Small light weight, easy installation, small space.
- ◆无给油设计，耐久性能强。
- ◆No need of lubrication, durable.
- ◆线圈部分内设指示灯及保护装置。
- ◆Coil with LED & over-voltage protection device.

◎外观图/Overall Dimension



◎标准参数/Parameters

产品型号/Model	XY-10S
流体介质/Medium	压缩气体/Compressed air
动作方式/Motion Pattern	直动式/Direct drive type
型式/Type	二位三通常闭/ 2/3 NC
流量孔径/Orifice (mm)	1.2mm
接管口径/Connection Port	M3-M5汇流板连接/M3-M5(to manifold)
使用压力/Working Pressure	0.2~0.7MPa
使用温度/Ambient temperature	-10~+80℃
电压范围/Voltage	DC12V,DC24V ±10%
消耗功率/Power Consumption	3W/0.3W
本体材质/Material of Body	PA66,PPS
密封材质/Seal	NBR

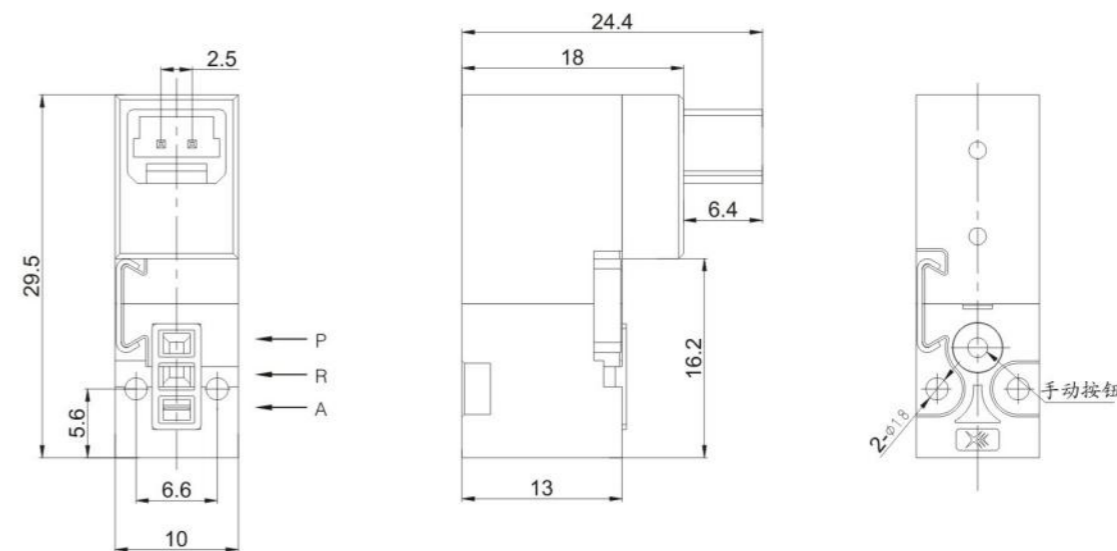
◎产品编号/Product No.SB338
产品型号/Product Type XY-10A微型电磁阀



◎特性/Speciality

- ◆可单个、多个任意组合，一路进气，多路输出。
- ◆Use as single valve or valve group.
- ◆多用于大口径气阀的先导阀和控制微型单作用气缸。
- ◆Often use as pilot valve for large orifice air valve or control of min single acting cylinder.
- ◆更低的功耗，十分适合于PC机直接输出控制。
- ◆lower power consumption, direct controlled by PC.
- ◆小型轻量化，安装简便，占空间小。
- ◆Small light weight, easy installation, small space.
- ◆无给油设计，耐久性能强。
- ◆No need of lubrication, durable.
- ◆线圈部分内设指示灯及保护装置。
- ◆Coil with LED & over-voltage protection device.

◎外观图/Overall Dimension



◎标准参数/Parameters

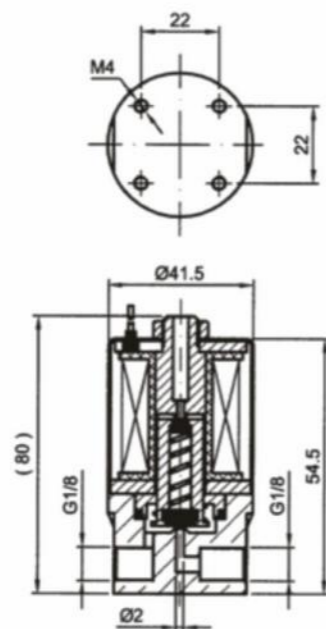
产品型号/Model	XY-10A
流体介质/Medium	压缩气体/Compressed air
动作方式/Motion Pattern	直动式/Direct drive type
型式/Type	二位三通常闭/ 2/3 NC
流量孔径/Orifice (mm)	0.7mm
接管口径/Connection Port	M3-M5汇流板连接/M3-M5(to manifold)
使用压力/Working Pressure	0.05~0.7MPa
使用温度/Ambient temperature	-10~+80℃
电压范围/Voltage	DC12V,DC24V ±10%
消耗功率/Power Consumption	1W
本体材质/Material of Body	POM,PPS
密封材质/Seal	NBR

- 产品编号/Product No. SB107
- 产品型号/Product Type Q23XD-2微型电磁阀



- 特性/Speciality
 - ◆ Q23XD 型电磁阀为小流量换向元件，常用作大流量换向阀的先导控制及气动回路控制阀，也可以单独控制耗气量小的执行元件。
 - ◆ Q23XD series two-position three-way mini type solenoid valve is usually used in the pilot control valve of big flow selector valves and also can control the executive component of air-consume small by itself.
 - ◆ Q23XD 型电磁阀主要用于控制气流通、断，常做开关阀使用。
 - ◆ Q23XD series mainly is used in controlling the current on and off, usually use as a switch valve.

外观图/Overall Dimension



标准参数/Parameters

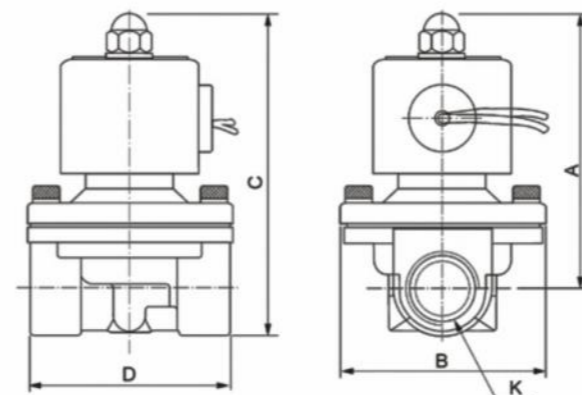
产品型号/Model	Q23XD _{2L}
工作压力/Working Pressure(MPa)	0~0.8
环境温度/Ambient Temperature(°C)	-5~40
介质温度/Fluid Temperature(°C)	-5~50
换向时间/Change Way Time(S)	≤0.04
有效截面积/Effective Sectional Area(mm ²)	2
寿命(万次)/Life(ten thousand times)	≥300
电压/Voltage	AC380V, 220V, 110V, 36V, 24V DC220V, 110V, 48V, 36V, 24V, 12V

- 2W(大口径)系列二位二通直动式电磁阀
2W (Large Aperture) Series Two-position Two-way Direct Drive Type Solenoid Valve



- 特性/Speciality
 - ◆ 采用直动式膜片结构无压力启动，扩充了其使用领域。Adopting straight-action diaphragm structure without pressure starting enlarges its applicable scopes.
 - ◆ 采用平板式膜片结构启闭可靠，并增强了该产品的使用寿命。Adopting plate diaphragm structure with reliable start and close lengthens the service life of the product.
 - ◆ 选用塑封线圈可提高该产品在众多环境下的安全使用。Selecting plastic sealed coil improves the safe application of this product under many environments.

外观图/Overall Dimension



外形尺寸表/Overall Dimension Sheet

产品型号/Model	A	B	C	D	K
2W160-10	93	56	106	69	PT3/8"
2W160-15	93	56	106	69	PT1/2"
2W200-20	100	55	117	73	PT3/4"
2W250-25	104	78	125	99	PT1"
2W350-35	141	93	172	124	PT1 1/4"
2W400-40	141	93	172	124	PT1 1/2"
2W500-50	157	124	195	172	PT2"

产品型号/Model	2W160-10	2W160-15	2W200-20	2W250-25	2W350-35	2W400-40	2W500-50
工作介质/Working Medium	空气、水、油/Air, Water, Oil						
动作方式/Motion Pattern	直动式/Direct Drive Type						
型式/Type	常闭型/Normal Close Type						
流量孔径/Orifice(mm)	16	20	25	35	40	50	
Cv值/CV Value	4.8	7.6	12	24	29	48	
接管口径/Connection Port	3/8"	1/2"	3/4"	1"	1 1/4"	1 1/2"	2"
使用流体粘滞带/Fluid Viscosity	20 CST 以下(Below)						
使用压力/Working Pressure(MPa)	空气/Air: 0~1.0MPa; 水/Water: 0~0.07MPa; 油/Oil: 0~0.09MPa						
最大耐压力/Max. Pressure Resistance(MPa)	1.0MPa						
工作温度/Working Temperature(°C)	-5~80°C						
使用电压范围/Voltage Range	±10%						
本体材质/Material of Body	黄铜/Brass						
油封材质/Seal	NBR 或 VITON / NBR or VITON						

◎ SB116系列电磁阀
SB116 Series Solenoid Valve



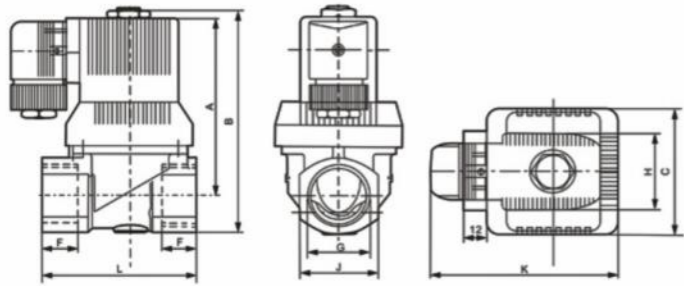
◎ 特性/Speciality

- ◆ 零压启动。
Can work at zero pressure.
- ◆ 创新：能在90℃以下使用。
Can be used below 90℃.
- ◆ 适用于：气、水、油品、弱酸、弱碱、煤气、液化气。
Can be used for gas, water, oil, weak acid & Alkali.
- ◆ 噪声低：无水锤冲击、颤抖声、工作平稳、流量大、可靠性高、寿命长。
Low noise: no-water hammer impact, no shaking noise, large flow. High reliability, long life.
- ◆ 线圈型号：BD-A-3
热固性塑料全包覆、插座符合ISO标准、可互换IP65保护制式更换先导头及线圈可作防爆阀用，订货时请注明电源电压。
Thermosetting plastic encapsulating. Plug conforms with ISO standard. IP65 protection class with plug. Change to ex-proof coil & suitable armature, can be used as ex-proof valve.

Coil model: BD-A-3

Thermosetting plastic encapsulating.
Plug conforms with ISO standard.
IP65 protection class with plug.
Change to ex-proof coil & suitable armature, can be used as ex-proof valve.

◎ 外观图/Overall Dimension



◎ 外形尺寸表/Overall Dimension Sheet

产品型号/Model	G	C	F	L	J	A	B	H	K
SB116-2008A	G1/4	38	14	50	26	71	85	40	80
SB116-2010A	G3/8	38	14	50	26	71	85	40	80
SB116-2015A	G1/2	38	14	50	26	71	85	40	80
SB116-2015-14A	G1/2	45	16	58	31	82	96	40	80
SB116-2020A	G3/4	45	16	58	31	82	96	40	80
SB116-2020-20A	G3/4	65	18	82	41	96	117	40	95
SB116-2025A	G1	65	18	82	41	96	117	40	95

产品型号/Model	SB116-2008A	SB116-2010A	SB116-2015A	SB116-2015-14A	SB116-2020A	SB116-2020-20A	SB116-2025A
公称通径/Orifice(mm)	10	10	10	14	14	20	20
接管螺纹/Connection Port(G)	G1/4	G3/8	G1/2	G1/2	G3/4	G3/4	G1
工作压力/Working Pressure(MPa)	0~1.0						
环境温度/Ambient Temperature(°C)	-10~+55						
介质温度/Medium Temperature(°C)	-10~+90						
Kv值/Kv Value(m ³ /h)	2	2	3.6	8.3	8.3	4.8	4.8
功率消耗	AC(VA)	14	14	14	14	17	17
	DC(W)	8	8	8	8	20	20
电源电压/Power Voltage	≥1	≥1	≥1	≥0.5	≥0.5	≥0.5	≥0.5
切换频率(Hz)/Resistance Frequency	AC(V)50Hz 24, 36, 110, 220, 380 DC(V)24, 12						

◎ PIC-20X型脉冲控制仪
Pulse signal controller



◎ 特性/Speciality

本公司生产的PIC-20X高压脉冲控制仪采用PC贴面的封闭结构，微处理器智能控制，可根据清灰要求，调整脉冲间隔的脉冲宽度。它的输出信号直接控制电磁脉冲阀，工作稳定可靠、操作简单。可安装在控制室内或直接安装在除尘器上。
The controller is made from PC coated aluminum alloy. It has microprocessor, can adjust its pulse width as per different clean request. Its output signal directly controls the solenoid valves. The controller is stable and easy to use.

产品型号/Model	PIC-20X
额定输入电压/Input Voltage	AC220V ± 10% 50Hz
额定输出电压/Output Voltage	DC24V AC220V
额定输出电流/Output Current	1A
间隔调节范围/Interval Range	1~99S
宽度调节范围/Adjustable Length Range	0.09~0.9S
输出路数/Output Lines NO.	4~20路Lines
体积/Dimension	280×220×110mm

◎ PIC-64型多路控制脉冲仪
Pulse signal controller



◎ 特性/Speciality

控制仪采用微处理器智能控制，可根据清灰要求，调整脉冲间隔和脉冲宽度，对除尘器实行定时清灰。特点：微处理器电路，抗干扰电路、数字显示、电子开关、智能化控制，工作稳定可靠，工程塑料，防尘防水性高，方便安装。
The controller is controlled by microprocessor. It can adjust pulse interval and with as requirement of dust remover. It is made from engineering plastic good in dust tightness and water resistance, easy to install, stable working.

产品型号/Model	RMY-64
额定输入电压/Input Voltage	AC220V ± 10% 50Hz, AC110V ± 10% 50Hz
额定输出电压/Output Voltage	DC24V AC110V AC220V
耗电/Power Consumption	1A
脉冲间隔范围 / Interval Time Range	1~250S
脉冲宽度范围 / On Time Range	10~2500ms
输出路数/Output Lines NO.	1~64路 Lines
使用环境/Working Environment	温度：-40℃~+80℃ 湿度≤85%，无严重的腐蚀气体和导电尘埃，无剧烈震动或冲击 Temperature: -40℃~+80℃ Humidity: ≤85% No enormous shake & shock
安装方法/Install Method	单独安装或集中在控制柜中/Install on dust catcher or control box
重量/Weight	1.4kg (可能随路数改变/May change when add lines)
体积/Dimension	200×170×75mm

